

## ELETRONIC LINE

### Common Rail Injectors

Bosch CRI   CRI 1.0   CRI 2.0   CRI 2.2	02
Bosch CRI 2.5	08
Bosch CRIN 1	12
Bosch CRIN 2	18
Volvo CRIN 2 EURO 5	19
Bosch CRIN 3	20
Bosch CRIN 4.2	27
Caterpillar C4   C6	30
Cummins ISX 15   XPI - Scania	33
Cummins ISL - Scania	36
Daf MX13	38
Delphi HR	40
Delphi JCB	42
Denso G2	44
Denso G2   G3	48
Siemens VDO   Continental	53

### Bonalli 56

### Common Rail Pumps

Bosch CP1	72
Bosch CP1H 181 / 129	76/77
Bosch CP3 0 445 020 046	80
Bosch CP3 0 445 010 033	84
Bosch CP3 0 445 020 033	88
Bosch CP3 0 445 020 129	94
Bosch CP3 0 445 020 005	98
Bosch CP4	104
Caterpillar C4   C6	107
Cummins CP2	110
Cummins XPI	113
Delphi - HR   Sprinter	115
Denso HP3	117
Denso HP4   HP5	119 /120
Siemens	123

### EUP Units Injector

PLD MBB Menores	126
PLD MBB Maiores	132
Volvo	138

### EUI Units Injector

Bosch E1 - Euro 5- Iveco	142
Bosch EUI PDE- Scania   Iveco	144
Caterpillar C10   C12	153
Caterpillar C13   C15	157
Caterpillar C15   C32	159
Caterpillar 3500	163
Cummins N14   M11	167
Delphi A1   A2 - Volvo D12 A   C	170
Delphi E1 - Volvo D12D	176
John Deere E1	179
Delphi E3 - Volvo D13	181
Delphi E3 - Freightliner	185
Detroit Série 60 N2	187
Detroit Série 60 N3	189
Daf MX13	193
Cummins ISX - Scania 470 HPI	195

### HEUI Units Injector

Caterpillar C7   C9	198
Caterpillar 3126B/E	204
Navistar DT466E	207
Caterpillar 3126A	210
Navistar G2.8	213
Navistar G2.9	215

### Gears Pumps

MBB 712	219
MBB 1933	221
MBB 1938	223
MBB Série 900	225
Scania	227
Volvo D12C	229
Volvo D13	231

### HEUI Pumps

Caterpillar C7/C9	233
Stanadyne	236

### Repair Tools

Tool Kits	239
Interchangeable Tips	267
General Applications	286
High Pressure Pumps	289
Common Rail Injectors	290
EUP   EUI   HEUI Units	291
Gear Pumps	292

# ROBIEL®

**ROBIEL®** remains in the challenge of offering, day after day, to the workshops in Brazil and around the world: components, tools, training, and equipment that increase productivity, reduce costs and optimize working time during the repair process of diesel injection systems.

*ROBIEL®* remains in the challenge of offering, day after day, to the workshops in Brazil and around the world: components, tools, training, and equipment that increase productivity, reduce costs and optimize working time during the repair process of diesel injection systems.

## WE ARE MANUFACTURERS ¡SOMOS FABRICANTES!

We are always focused on meeting the needs of the market and mainly contributing to the growth of our customers, we work side by side to meet their needs and deliver the best solutions to better serve them and simplify their workshop routine.

*Siempre enfocados en satisfacer las necesidades del mercado y principalmente contribuir al crecimiento de nuestros clientes, trabajamos a su lado para satisfacer sus necesidades y entregar las mejores soluciones para atenderlos mejor y simplificar la rutina de su taller.*

So that we can offer the best cost-benefit, bring greater practicality and agility to the repair processes and enable greater profitability for your business, our products go through several stages before reaching the market.

*Para que podamos ofrecer la mejor relación costo-beneficio, brindar mayor practicidad y agilidad a los procesos de reparación y posibilitar una mayor rentabilidad para su negocio, nuestros productos pasan por varias etapas antes de llegar al mercado.*



# **ROBIEL®**

## **COMMON RAIL INJECTORS** *INYECTORES COMMON RAIL*

Bosch CRI | CRI 1.0 | CRI 2.0 | CRI 2.2

Renault Volvo

Bosch CRI 2.5

Bosch CRIN 1

Bosch CRIN 2 | CRIN 3

Bosch CRIN 4.2

Caterpillar C4 | C6

Cummins ISX 15 | XPI - Scania

Cummins ISL - Scania

Daf MX13

Delphi HR

Delphi JCB

Denso G2

Denso G2 | G3

Siemens VDO | Continental

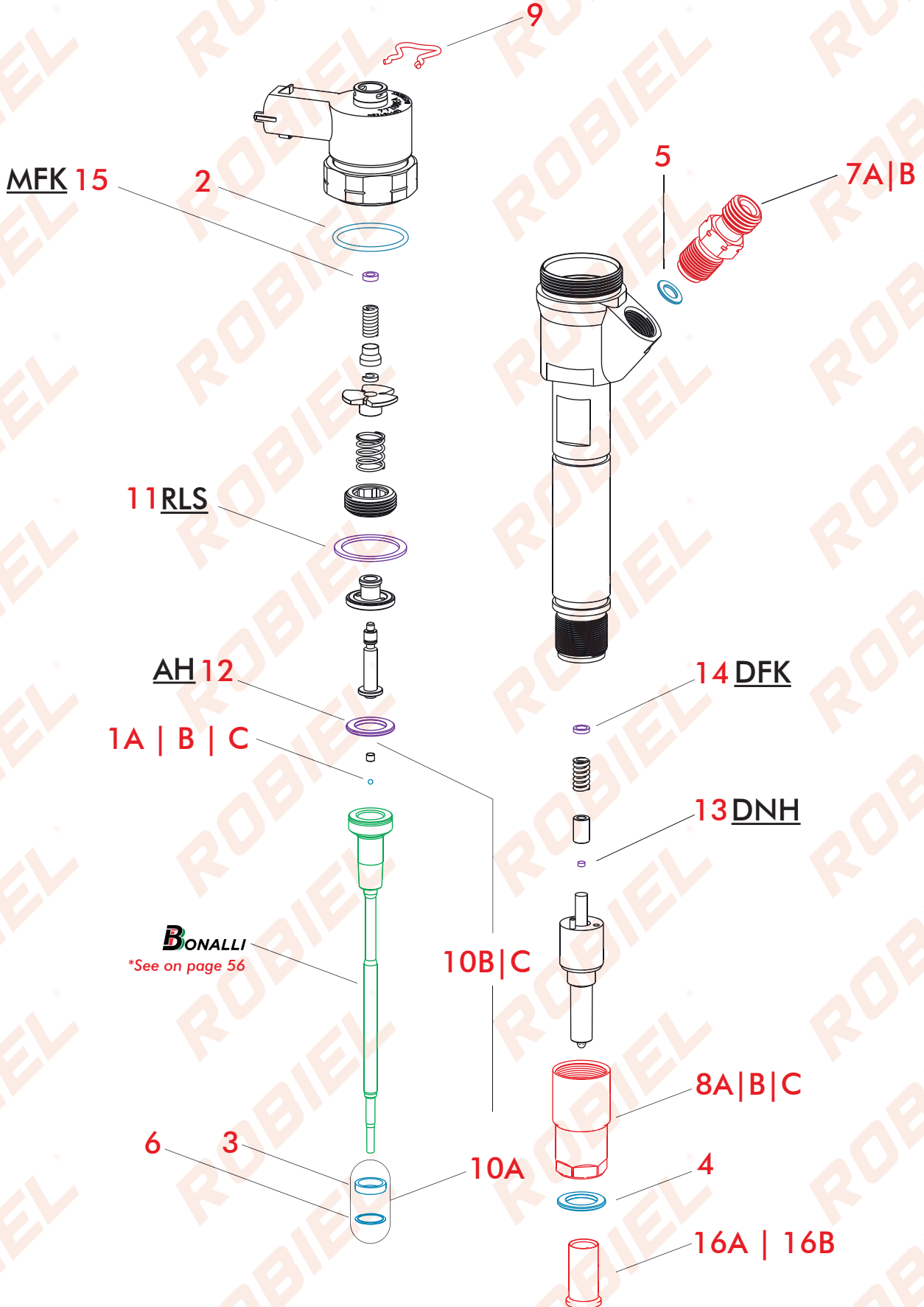
USE YOUR SMARTPHONE CAMERA TO SCAN THE QR CODE AND ACCESS MORE **TECHNICAL INFORMATION** FROM OUR PRODUCTS IN **ROBIEL® APP**.

USE LA CÁMARA DE SU TELÉFONO PARA ESCANEAR EL CÓDIGO QR Y OBTENER MÁS **INFORMACIONES TÉCNICAS** SOBRE LOS PRODUCTOS EN NUESTRA APLICACIÓN **ROBIEL®**.

**DOWNLOAD OUR NEW APP**  
DESCARGUE NUESTRA NUEVA APLICACIÓN



**BOSCH CRI | CRI 1.0 | CRI2.0 | CRI2.2 INJECTORS**  
INYECTORES BOSCH CRI | CRI1.0 | CRI2.0 | CRI2.2



**410.00.26**

**REPAIR PARTS - BOSCH CR INJECTOR COMPLETE**  
REPARACION INY COMMON RAIL BOSCH COMPLETA

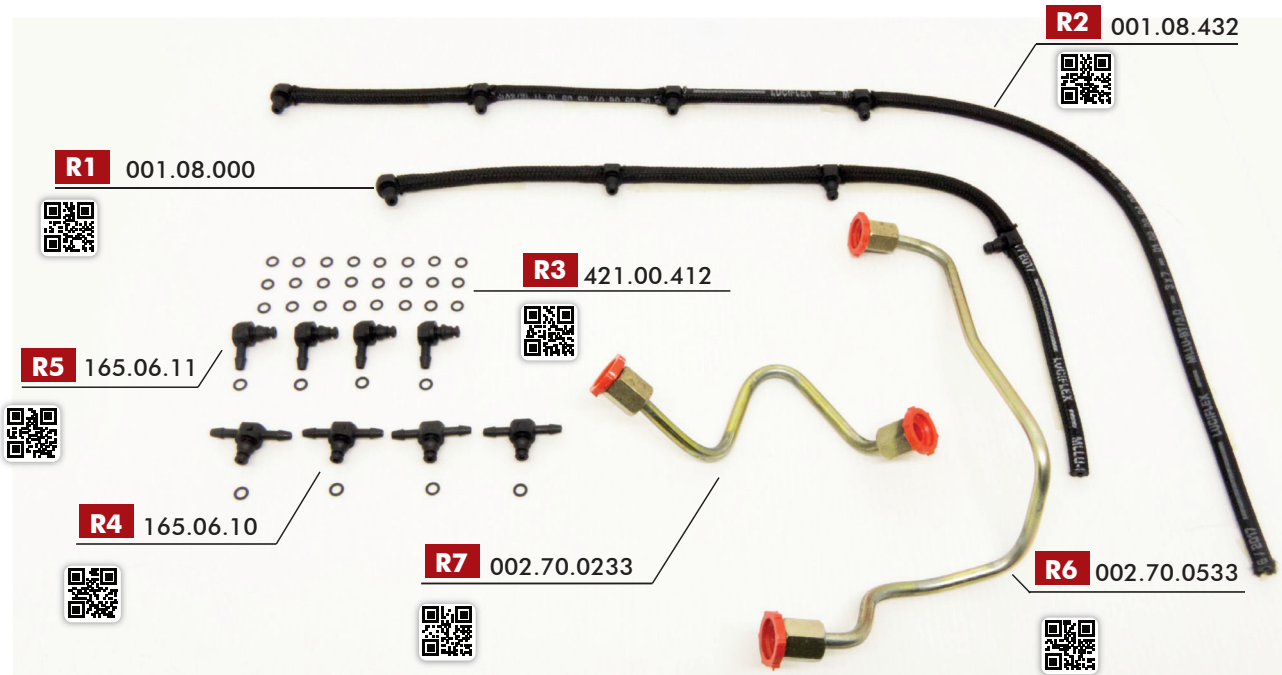
REFERENCE				
Nº	ROBIEL CODE	REFERENCE	DESCRIPTION	PACK
1A	190.50.11	F 00V C05 001	Ball - Bolilla	01un.
2	421.02.115	F 00V C38 002	O-ring - Anillo	01un.
3	424.08.10	F 00V C99 002	Teflon Ring - Anillo Teflon	01un.
4	600.02.02	1 987 972 076 / 1 987 972 086 A611 01 70 060 / A 611 017 13 60	Washer - Arandela	01un.
5	805.09.05	F 00V C17 003	Washer - Arandela	01un.
6	808.10.010	F 00V C99 002	Shim-Nozzle - Calzo-Tobera	01un.



**SPARE PARTS**  
Repuestos

Nº	ROBIEL CODE	REFERENCE	DESCRIPTION	PACK
1A	190.50.11	F 00V C05 001	Ball Diameter 1.34mm Bolilla de Valvula Diametro 1.34mm	12pç.
1B	190.50.14	F 00V C05 009 006	Ball Diameter 1.50mm Bolilla de Valvula Diametro 1.50mm	12pç.
1C	190.52.02	-	Ceramic Ball 1.50mm Bolilla Ceramica Diametro 1.50mm	12pç.
4	600.02.02	1 987 972 076 A611 01 70 060	Washer - Sprinter 313 CDI CR Nozzle Arandela de la Tobera Sprinter 313 CDI Common Rail	24pç.
5	805.09.05	F 00V C17 003	Shim - 0.60mm Calzo - 0.60mm	12pç.
7A	165.02.06	F 00V C16 017 F 00V C16 027	Connection - Pressure - Common Rail Conexión de Presión del Inyector Common Rail	M12X 1,50mm M12 X 1,00mm 01pç.
7B	165.02.061	-	Connection w/ Filter - Pressure - Common Rail Conexión c/ Filtro de Presión Del Inyector Common Rail	01pç.
8A	315.06.25	F 00V C14 012 F 00V C14 006	Nut - Nozzle - Retaining Sprinter 313 Tapa de la Tobera Sprinter 313 CDI CR	M17 X 0,75mm 04pç.
8B	315.06.58	F 00V C14 015 F 00V C14 019	Nut - Nozzle-Retaining Bosch Ducato Tapa de la Tobera Bosch Ducato	M17 X 0,75mm 01pç.
8C	315.06.64	0445110564/582	Nut - Nozzle - Hyundai Kia 2.0 / 2.2 Tapa de la Tobera Hyundai Kia 2.0 / 2.2	06pç.
9	335.05.06	F 00V C22 003	Lock - Sprinter 313 CDI Return Bloqueo Del Retorno Sprinter 313 CDICR	12pç.
10A	424.08.10C	F 00V C99 002	Repair Parts - Common Rail Injector Rod Reparacion Inyector Baston Common Rail	04jg.
10B	424.08.10D	F 00V C22 003 + Esfera	Repair Parts - Common Rail Injector Rod - Ball Ø 1.34mm Reparacion Inyector Baston Common Rail - Bolilla Ø1.34mm	01jg.
10C	424.08.10E	F 00V C99 002 + Esfera	Repair Parts - Common Rail Injector Rod - Ball Ø 1.50mm Reparacion Inyector Baston Cmmon Rail - Bolilla Ø1.50mm	01jg.
16A	220.03.08	F 00R J02 537   F 00R J03 561 6.000.900.262	Protective Cap - Injectors / Units Nozzle - 7.00mm Tapa Protectora p/ Tobera Inyectores / Unidades - 7.00mm	01ct.
16B	220.03.09	F 00H 410 849   F 002 C88 080 6.000.900.076	Protective Cap - Injectors / Units Nozzle - 9.00mm Tapa Protectora p/ Tobera Inyectores / Unidades - 9.00mm	01ct.
R1	001.08.000	6013.001.121.000	Hose - Return - Volare Sprinter Motor Manguera Retorno Volare Motor Sprinter	01pç.
R2	001.08.432	A 611 070 8432	Hose - Return - Sprinter 313 CDI Manguera Retorno Sprinter 313 CDI	01pç.
R3	421.00.412	-	O-ring 3.70 x 1.20mm Anillo 3.70mm x 1.20mm	24pç.
R4	165.06.10	-	Connection - Sprinter 313 CDI Nozzle Return - "T" Type Conexión T Retorno Toberas Sprinter 313 CDI	04pç.
R5	165.06.11	-	Connection - Sprinter 313 CDI Nozzle Return - "L" Type Conexión L Retorno Toberas Sprinter 313 CDI	04pç.
R6	002.70.0533	-	Tube for Sprinter CDI Rail Pressure Pump Tubo de la BBA de Prestion Al Rail Sprinter CDI	01pç.
R7	002.70.0233	611 070 0233	Tube - CDI Sprinter / Acello Nozzle Tubo de la Tobera CDI Sprinter / Acello	01pç.





**11 SHIM - ADJUSTMENT - C.R. DEBIT (RLS)**  
 CALZO AJUSTE DEBITO COMMON RAIL  
 Ø Interno: 19,00 Ø Externo: 23,80



ROBIEL CODE	REFERENCE	THICKNESS(mm)
819.25.094	F 00V C60 215 / F 00Z C99 320 / F 00Z C99 879	0,94
819.25.095	F 00V C60 221 / F 00Z C99 323 / F 00Z C99 882	0,95
819.25.096	F 00V C60 225 / F 00V C60 227	0,96
819.25.097	F 00V C60 231 / F 00V C60 233	0,97
819.25.098	F 00V C60 235 / F 00Z C99 330 / F 00Z C99 889	0,98
819.25.099	F 00V C60 241 / F 00V C60 243	0,99
819.25.100	F 00V C60 245 / F 00Z C99 335 / F 00Z C99 894	1,00
819.25.101	F 00V C60 251 / F 00V C60 253	1,01
819.25.102	F 00V C60 255 / F 00Z C99 340 / F 00Z C99 899	1,02
819.25.103	F 00V C60 261 / F 00V C60 263	1,03
819.25.104	F 00V C60 265 / F 00Z C99 345 / F 00Z C99 904	1,04
819.25.105	F 00V C60 271 / F 00V C60 273	1,05
819.25.106	F 00V C60 275 / F 00V C60 277	1,06
819.25.107	F 00V C60 281 / F 00V C60 283	1,07
819.25.108	F 00V C60 285 / F 00Z C99 355 / F 00Z C99 914	1,08
819.25.109	F 00V C60 291 / F 00V C60 293	1,09
819.25.110	F 00V C60 295 / F 00Z C99 360 / F 00Z C99 919	1,10
819.25.112	F 00V C60 305 / F 00V C60 307	1,12
819.25.114	F 00V C60 315 / F 00V C60 317	1,14
819.25.116	F 00V C60 325 / F 00V C60 327	1,16
819.25.118	F 00V C60 335 / F 00V C60 337	1,18
819.25.120	F 00V C60 345 / F 00V C60 347	1,20
819.25.122	F 00V C60 355 / F 00V C60 357	1,22
819.25.124	F 00V C60 365	1,24
819.25.202	-	2,02
819.25.205	-	2,05

04 UNITS

**12 SHIM - CR SPRINTER PRESSURE (AH)**  
 CALZO PRESION COMMON RAIL SPRINTER  
 Ø Interno: 10,40 Ø Externo: 15,80



ROBIEL CODE	REFERENCE	TICKNESS(mm)
810.16.117	-	1,17
810.16.120	F 00V C10 406 / F 00Z C99 399 / F 00Z C99 959	1,20
810.16.121	F 00V C10 410 / F 00Z C99 401 / F 00Z C99 961	1,21
810.16.122	F 00V C10 416 / F 00Z C99 404 / F 00Z C99 964	1,22
810.16.123	F 00V C10 420 / F 00Z C99 406 / F 00Z C99 966	1,23
810.16.124	F 00V C10 426 / F 00Z C99 409 / F 00Z C99 969	1,24
810.16.125	F 00V C10 430 / F 00Z C99 411 / F 00Z C99 971	1,25
810.16.126	F 00V C10 436 / F 00Z C99 414 / F 00Z C99 974	1,26
810.16.127	F 00V C10 440 / F 00Z C99 416 / F 00Z C99 976	1,27

EMBALAGEM COM 04 PEÇAS

**15 SHIM - CR PIEZO INJECTOR NOZZLE (MKF)**  
 CALZO TOBERA INYECTOR CR PIEZO  
 Ø Interno: 3,50 Ø Externo: 5,30



ROBIEL CODE	REFERENCE	TICKNESS(mm)
803.05.155	F 00V C10 514 / F 00V C10 624 / F 00Z C99 084 / F 00Z C99 697	1,55
803.05.16	F 00V C10 520 / F 00Z C99 087 / F 00Z C99 700	1,60
803.05.165	F 00V C10 524 / F 00V C10 634 / F 00Z C99 089 / F 00Z C99 702	1,65
803.05.17	F 00V C10 530 / F 00V C10 640 / F 00Z C99 092 / F 00Z C99 705	1,70
803.05.175	F 00V C10 534 / F 00V C10 644 / F 00Z C99 094 / F 00Z C99 707	1,75
803.05.18	F 00V C10 540 / F 00V C10 650 / F 00Z C99 097 / F 00Z C99 710	1,80
803.05.19	F 00V C10 550 / F 00V C10 660 / F 00Z C99 102 / F 00Z C99 715	1,90
803.05.20	F 00V C10 560 / F 00V C10 670 / F 00Z C99 107 / F 00Z C99 720	2,00

06 UNITS

13	SHIM - HOLD - CR NOZZLE (DNH) CALZO RESTRICTOR TOBERA CR Ø Externo: 2,30		
	ROBIEL CODE	REFERENCE	TICKNESS(mm)
800.02.100	F 00V C12 500 F 00Z C99 108 / F 00Z C99 722	1,00	
800.02.101	F 00V C12 502 F 00Z C99 109 / F 00Z C99 723	1,01	
800.02.102	F 00V C12 504 F 00Z C99 110 / F 00Z C99 724	1,02	
800.02.103	F 00V C12 506 F 00Z C99 111 / F 00Z C99 725	1,03	
800.02.104	F 00V C12 508 F 00Z C99 112 / F 00Z C99 726	1,04	
800.02.105	F 00V C12 510 F 00Z C99 113 / F 00Z C99 727	1,05	
800.02.106	F 00V C12 512 F 00Z C99 114 / F 00Z C99 728	1,06	
800.02.107	F 00V C12 514 F 00Z C99 115 / F 00Z C99 729	1,07	
800.02.108	F 00V C12 516 F 00Z C99 116 / F 00Z C99 730	1,08	
800.02.109	F 00V C12 518 F 00Z C99 117 / F 00Z C99 731	1,09	
800.02.110	F 00V C12 520 F 00Z C99 118 / F 00Z C99 732	1,10	
800.02.111	F 00V C12 522 F 00Z C99 119 / F 00Z C99 733	1,11	
800.02.112	F 00V C12 524 F 00Z C99 120 / F 00Z C99 734	1,12	
800.02.113	F 00V C12 526 F 00Z C99 121 / F 00Z C99 735	1,13	
800.02.114	F 00V C12 528 F 00Z C99 122 / F 00Z C99 736	1,14	
800.02.115	F 00V C99 530 / F 00Z C99 123	1,15	
800.02.116	F 00V C12 532 F 00Z C99 124 / F 00Z C99 738	1,16	
800.02.117	F 00V C12 534 F 00Z C99 125 / F 00Z C99 739	1,17	
800.02.118	F 00V C12 536 F 00Z C99 126 / F 00Z C99 740	1,18	
800.02.119	F 00V C12 538 F 00Z C99 127 / F 00Z C99 741	1,19	
800.02.120	F 00V C12 540 F 00Z C99 128 / F 00Z C99 742	1,20	
800.02.121	F 00V C12 542 F 00Z C99 129 / F 00Z C99 743	1,21	
800.02.122	F 00V C12 544 F 00Z C99 130 / F 00Z C99 744	1,22	
800.02.123	F 00V C12 546 F 00Z C99 131 / F 00Z C99 745	1,23	
800.02.124	F 00V C12 548 F 00Z C99 132 / F 00Z C99 746	1,24	
800.02.125	F 00V C12 550 F 00Z C99 133 / F 00Z C99 747	1,25	
800.02.126	F 00V C12 552 F 00Z C99 134 / F 00Z C99 748	1,26	
800.02.127	F 00V C12 554 F 00Z C99 135 / F 00Z C99 749	1,27	
800.02.128	F 00V C12 556 F 00Z C99 136 / F 00Z C99 750	1,28	
800.02.129	F 00V C12 558 F 00Z C99 137 / F 00Z C99 751	1,29	
800.02.130	F 00V C12 560 F 00Z C99 138 / F 00Z C99 752	1,30	
800.02.131	F 00V C12 562 F 00Z C99 139 / F 00Z C99 753	1,31	
800.02.132	F 00V C12 564 F 00Z C99 140 / F 00Z C99 754	1,32	
800.02.133	F 00V C12 566 F 00Z C99 141 / F 00Z C99 755	1,33	
800.02.134	F 00V C12 568 F 00Z C99 142 / F 00Z C99 756	1,34	
800.02.135	F 00V C12 570 F 00Z C99 143 / F 00Z C99 757	1,35	
800.02.138	-	1,38	
800.02.140	-	1,40	

**06 UNITS**

14	SHIM - PIEZO CR INJECTOR NOZZLE (DFK) CALZO TOBERA INYECTOR CR Ø Interno: 3,50 Ø Externo: 5,30		
	ROBIEL CODE	REFERENCE	TICKNESS(mm)
803.05.07	-	0,70	
803.05.075	-	0,75	
803.05.08	-	0,80	
803.05.085	-	0,85	
803.05.09	-	0,90	
803.05.095	-	0,95	
803.05.10	F 00V C10 460 / F 00V C10 570 F 00Z C99 670 / F 00Z C99 057	1,00	
803.05.105	F 00V C10 464 / F 00V C10 574 F 00Z C99 672 / F 00Z C99 059	1,05	
803.05.11	F 00V C10 470 / F 00V C10 580 F 00Z C99 675 / F 00Z C99 062	1,10	
803.05.115	F 00V C10 474 F 00Z C99 064 / F 00Z C99 677	1,15	
803.05.12	F 00V C10 480 / F 00V C10 590 F 00Z C99 680 / F 00Z C99 067	1,20	
803.05.125	F 00V C10 484 / F 00V C10 594 F 00Z C99 682 / F 00Z C99 069	1,25	
803.05.13	F 00V C10 490 / F 00V C10 600 F 00Z C99 685 / F 00Z C99 072	1,30	
803.05.135	F 00V C10 494 / F 00V C10 604 F 00Z C99 687 / F 00Z C99 074	1,35	
803.05.14	F 00V C10 500 / F 00V C10 610 F 00Z C99 690 / F 00Z C99 077	1,40	
803.05.145	F 00V C10 510 / F 00V C10 620 F 00Z C99 695 / F 00Z C99 082	1,45	
803.05.15	F 00V C10 510 / F 00V C10 620 F 00Z C99 695 / F 00Z C99 082	1,50	
803.05.155	F 00Z C99 697 / F 00Z C99 698	1,55	
803.05.16	F 00Z C99 700 / F 00Z C99 701	160	
803.05.165	F 00Z C99 702 / F 00Z C99 703	1,65	
803.05.17	F 00Z C99 705 / F 00Z C99 706	1,70	
803.05.175	F 00Z C99 707 / F 00Z C99 708	1,75	
803.05.18	F 00Z C99 710 / F 00Z C99 711	1,95	
803.05.19	F 00Z C99 715 / F 00Z C99 716	1,90	
803.05.20	F 00Z C99 720	2,00	

**06 UNITS**

15	SHIM - CR INJECTOR COIL (MFK) CALZO BOBINA INYECTOR CR Ø Interno: 2,80 Ø Externo: 5,00		
	ROBIEL CODE	REFERENCE	TICKNESS(mm)
803.06.140	F 00V C60 590 F 00Z C99 231 / F 00Z C98 005	1,40	
803.06.144	F 00V C60 594 F 00Z C99 233 / F 00Z C98 007	1,44	
803.06.148	F 00V C60 598 F 00Z C99 235 / F 00Z C98 009	1,48	
803.06.152	F 00V C60 602 F 00Z C99 237 / F 00Z C98 011	1,52	
803.06.156	F 00V C60 606 F 00Z C99 239 / F 00Z C98 013	1,56	
803.06.160	F 00V C60 610 F 00Z C99 241 / F 00Z C98 015	1,60	
803.06.200	F 00V C99 720	2,00	

**12 UNITS**

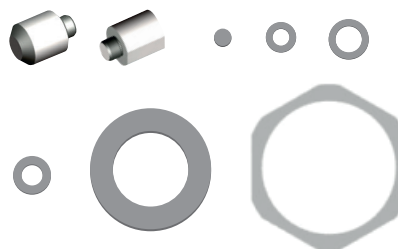




**415.00.011 PARTS SET - CRI/CRIN REPAIRING**  
 JUEGO PIEZAS REPARACION CRI / CRIN - R2

Nº	ROBIEL CODE	DESCRIPTION	TICKNESS(mm)	UNITS BY MEASURE
-	305.20.830 - 305.20.849	Pin-MWM Injector - <i>Top del inyector MWM</i>	8,30 to 8,49	12 units
-	305.30.834 - 305.30.855	Pin-Cummins/Ducato Injector - <i>Topdel Inyector Cummins/Ducato</i>	8,34 to 8,55	12 units
DNH	800.02.100 - 800.02.125	Shim - Hold - <i>Calzo Restrictor</i>	1,00 to 1,25	12 units
-	802.04.10 - 5	Shim - Pre Injection - <i>Calzo de Pre Inyeccion</i>	1,00 to 1,25	12 units
DFK	803.05.12 - 803.05.19	Shim-Piezo-Nozzle - <i>Calzo Tobera Inyector Piezo</i>	1,20 to 1,90	12 units
MFK	803.06.140 - 803.06.160	Shim - Coil - <i>Calzo Bobina</i>	1,40 to 1,60	12 units
AH	810.16.117 - 810.16.127	Shim - Pressure Sprinter - <i>Calzo Presion Sprinter</i>	1,17 to 1,27	12 units
-	818.24.092 - 818.24.103	Shim - CR CP3 Regulator - <i>Calzo Regulacion CP3</i>	0,92 to 1,03	12 units
-	819.24.125 - 819.24.135	Shim - CR CP3 Regulator - <i>Calzo Regulacion CP3</i>	1,25 to 1,35	12 units
RLS	819.25.094 - 819.25.110	Shim - Adjustment - Debit - <i>Calzo Ajuste Debito</i>	0,94 to 1,10	12 units

**1740 UNITS**



**323.01.3241**

Rotating Vise W / Indexer Pin  
*Morsa Giratoria con Pin Index*



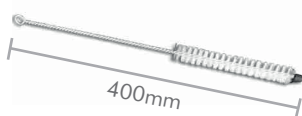
**324.15.01**

Injectors Repair Bracket  
*Suporte para Reparacion de Inyectores*



**324.10.10**

Retaining Bushing Wrench  
 248/273 CR Valve  
*Llave Del Casquillo de Fijacion Valvula CR 248/273*



**323.02.121**

Cleaning Brush  
*Cepillo de Limpieza*  
 Ø 12,00mm



**323.50.072**

Bosch CRI 1.0 | 2.0 | 2.1 | 2.2  
 CRIN 1 | 1.6 Injectors Tool Set  
*Kit de Herramientas Inyectores Bosch Cri*  
 1.0 | 2.0 | 2.1 | 2.2 | *Crin 1 | Crin 1.6*



**323.02.29**

Tightness test Tool - Cri / Crin  
 Valve  
*Herramienta Prueba Estanqueidad Valvula Cri / Crin*



USE YOUR SMARTPHONE CAMERA TO SCAN THE QR CODE AND ACCESS MORE TECHNICAL INFORMATION FROM OUR PRODUCTS IN **ROBIEL** APP.

USE LA CÁMARA DE SU TELÉFONO PARA ESCANEAR EL CÓDIGO QR Y OBTENER MÁS INFORMACIONES TÉCNICAS SOBRE LOS PRODUCTOS EN NUESTRA APLICACIÓN **ROBIEL**.

**DOWNLOAD OUR NEW APP**  
DESCARGUE NUESTRA NUEVA APLICACIÓN

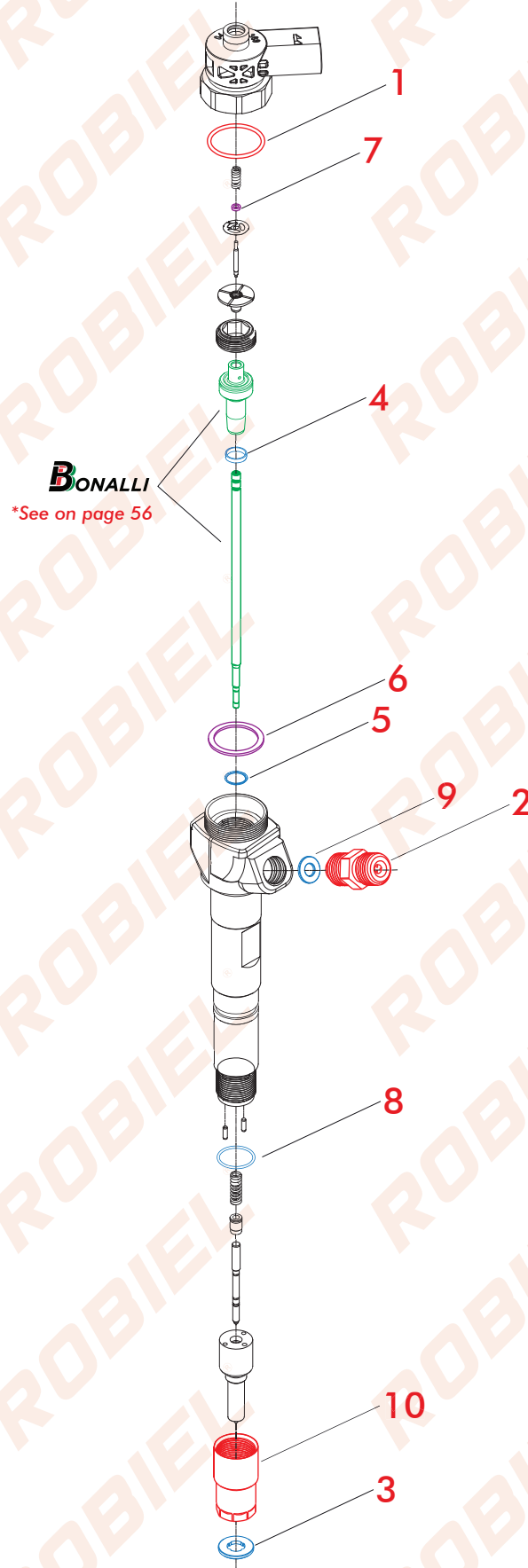


## CRI 2.5 INJECTORS INYECTORES CRI 2.5

Amarok

INJECTORS

0 445 110 369



**410.08.369 COMPLETE REPAIR PARTS - AMAROK INJECTOR**  
 REPARACION COMPLETA INYECTOR AMAROK

REFERENCE CODE						
Nº	ROBIEL CODE	REFERENCE	DESCRIPTION	PACK		
1	421.02.115	F 00V C38 002	O-ring - Anillo	01pç.		
3	607.13.15	F 00V P01 004	Washer - Arandela	01pç.		
4	424.08.10	F 00V C99 002	Teflon Ring - Anillo Teflon	01pç.		
5	808.10.010	F 00V C99 002	Shim-Nozzle - Calzo-Tobera	01pç.		
8	421.16.15	-	O-ring - Anillo	01pç.		

**410.08.001 EXTERNAL REPAIR PARTS - AMAROK INJECTOR**  
 REPARACION EXTERNA INYECTOR AMAROK

REFERENCE CODE						
Nº	ROBIEL CODE	REFERENCE	DESCRIPTION	PACK		
3	607.13.15	F 00V P01 004	Washer - Arandela	04pç.		
8	421.16.15	F 00V P01 005	O-ring - Anillo	04pç.		

**424.08.10C REPAIR PARTS - COMMON RAIL INJECTOR**  
 REPARACION INYECTOR BASTON COMMON RAIL

REFERENCE CODE		F 00V C99 002				
Nº	ROBIEL CODE	REFERENCE	DESCRIPTION	PACK		
4	424.08.10	F 00V C99 002	Teflon Ring - Anillo Teflon	04pç.		
5	808.10.010	F 00V C99 002	Shim-Nozzle - Calzo-Tobera	04pç.		

**SPARE PARTS**  
 Repuestos

Nº	ROBIEL CODE	REFERENCE	DESCRIPTION	PACK
1	421.02.115	F 00V C38 002	O-ring 21.00 x 1.50mm <i>Anillo O-ring 21.00 x 1.50mm</i>	06pç.
2	165.02.17	F 00V C16 501	Connection W/ Filter - Amarok Injector <i>Conexión c/ Filtro Inyector Amarok</i>	01pç.
3	607.13.15	F 00V P01 004	Washer - Amarok Nozzle <i>Arandela Tobera Amarok</i>	06pç.
9	806.12.100	F 00V C17 301	Connection Washer - Bosch Amarok Injector <i>Arandela de Conexión Inyector Bosch Amarok</i>	12pç.
10	315.06.62	-	Nozzle-Retaining Nut - Amarok <i>Tapa de La Tobera Amarok</i>	04pç.



**6**
**SHIM - ADJUSTMENT - C.R. DEBIT (RLS)**

CALZO AJUSTE DEBITO COMMON RAIL

Ø Int: 19,00 Ø Ext: 23,80



ROBIEL CODE	REFERENCE	TICKNESS(mm)
819.25.094	F 00V C60 215 F 00Z C99 320 / F 00Z C99 879	0,94
819.25.095	F 00V C60 221 F 00Z C99 323 / F 00Z C99 882	0,95
819.25.096	F 00V C60 225 / F 00V C60 227	0,96
819.25.097	F 00V C60 231 / F 00V C60 233	0,97
819.25.098	F 00V C60 235 F 00Z C99 330 / F 00Z C99 889	0,98
819.25.099	F 00V C60 241 / F 00V C60 243	0,99
819.25.100	F 00V C60 245 F 00Z C99 335 / F 00Z C99 894	1,00
819.25.101	F 00V C60 251 / F 00V C60 253	1,01
819.25.102	F 00V C60 255 F 00Z C99 340 / F 00Z C99 899	1,02
819.25.103	F 00V C60 261 / F 00V C60 263	1,03
819.25.104	F 00V C60 265 F 00Z C99 345 / F 00Z C99 904	1,04
819.25.105	F 00V C60 271 / F 00V C60 273	1,05
819.25.106	F 00V C60 275 / F 00V C60 277	1,06
819.25.107	F 00V C60 281 / F 00V C60 283	1,07
819.25.108	F 00V C60 285 F 00Z C99 355 / F 00Z C99 914	1,08
819.25.109	F 00V C60 291 / F 00V C60 293	1,09
819.25.110	F 00V C60 295 F 00Z C99 360 / F 00Z C99 919	1,10
819.25.112	F 00V C60 305 / F 00V C60 307	1,12
819.25.114	F 00V C60 315 / F 00V C60 317	1,14
819.25.116	F 00V C60 325 / F 00V C60 327	1,16
819.25.118	F 00V C60 335 / F 00V C60 337	1,18
819.25.120	F 00V C60 345 / F 00V C60 347	1,20
819.25.122	F 00V C60 355 / F 00V C60 357	1,22
819.25.124	F 00V C60 365	1,24
819.25.202	-	2,02
819.25.205	-	2,05

**04 UNITS**
**7**
**SHIM - HOLD - CR NOZZLE (DNH)**

CALZO RESTRICTOR TOBERA CR

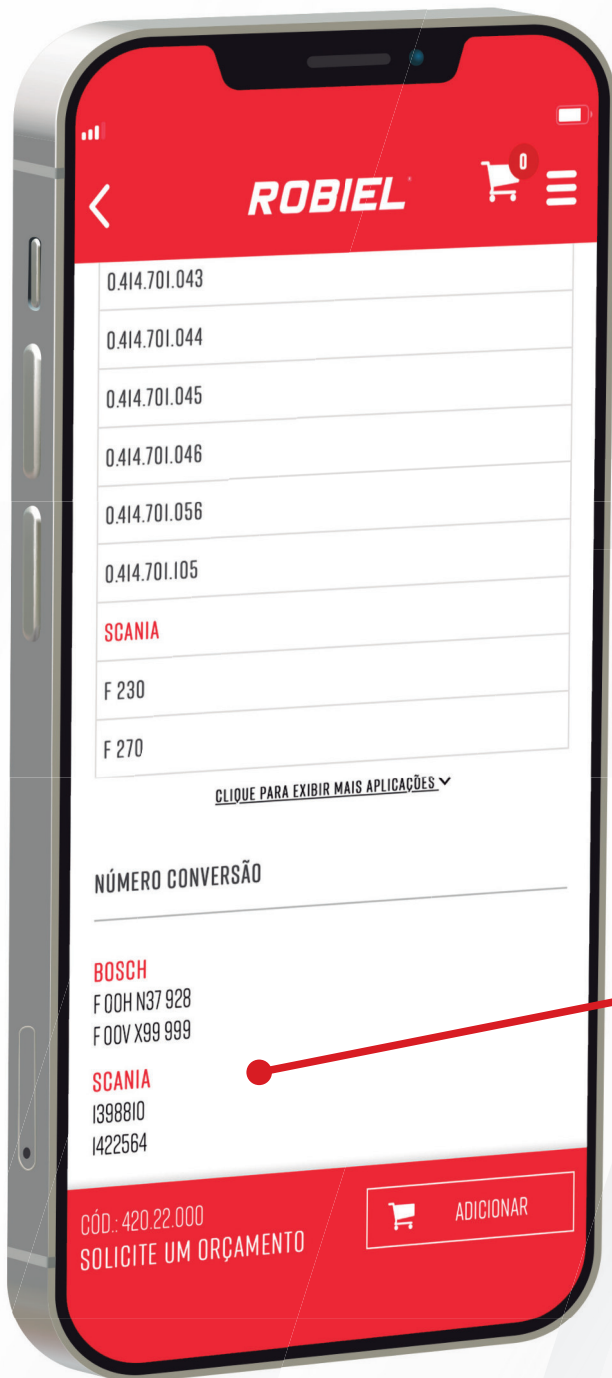
Ø Int: 2,25 Ø Ext: 4,00



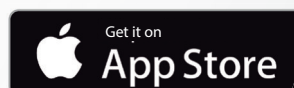
ROBIEL CODE	REFERENCE	TICKNESS(mm)
802.04.10	F 00R J04 649	1,00
802.04.105	F 00R J04 651	1,05
802.04.11	F 00R J04 652	1,10
802.04.115	F 00R J04 654	1,15
802.04.12	F 00R J04 656	1,20
802.04.125	F 00R J04 657	1,25
802.04.13	F 00R J04 659	1,30
802.04.135	F 00R J04 661	1,35
802.04.14	F 00R J04 662	1,40
802.04.145	F 00R J04 664	1,45
802.04.15	F 00R J04 666	1,50
802.04.155	F 00R J04 667	1,55
802.04.16	F 00R J04 669	1,60
802.04.165	-	1,65
802.04.17	-	1,70

**06 UNITS**

# CONVERT ORIGINAL CODES INTO **ROBIEL**<sup>®</sup> CODES



**DOWNLOAD NOW!**



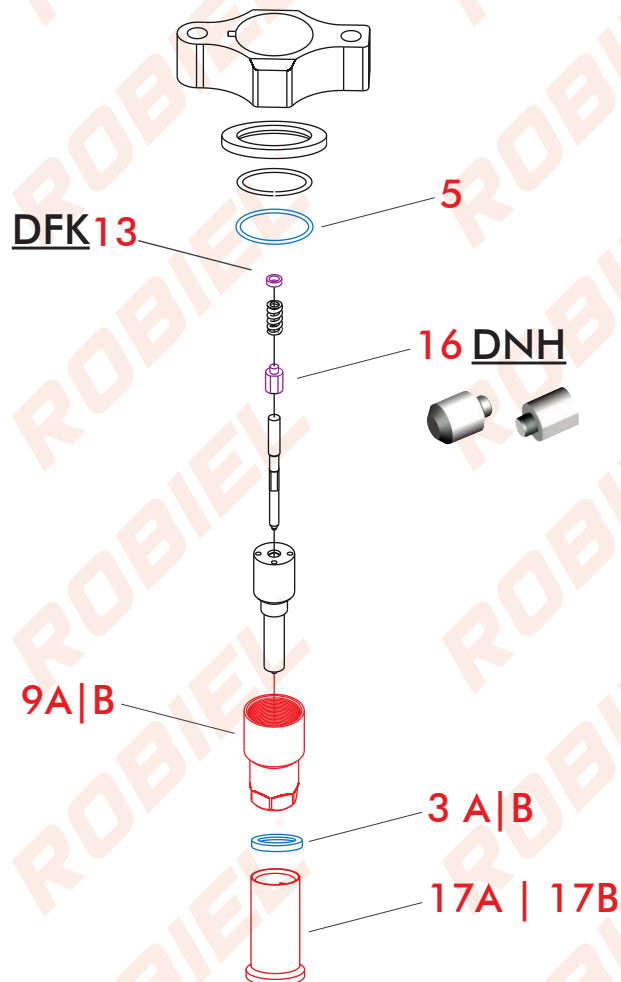
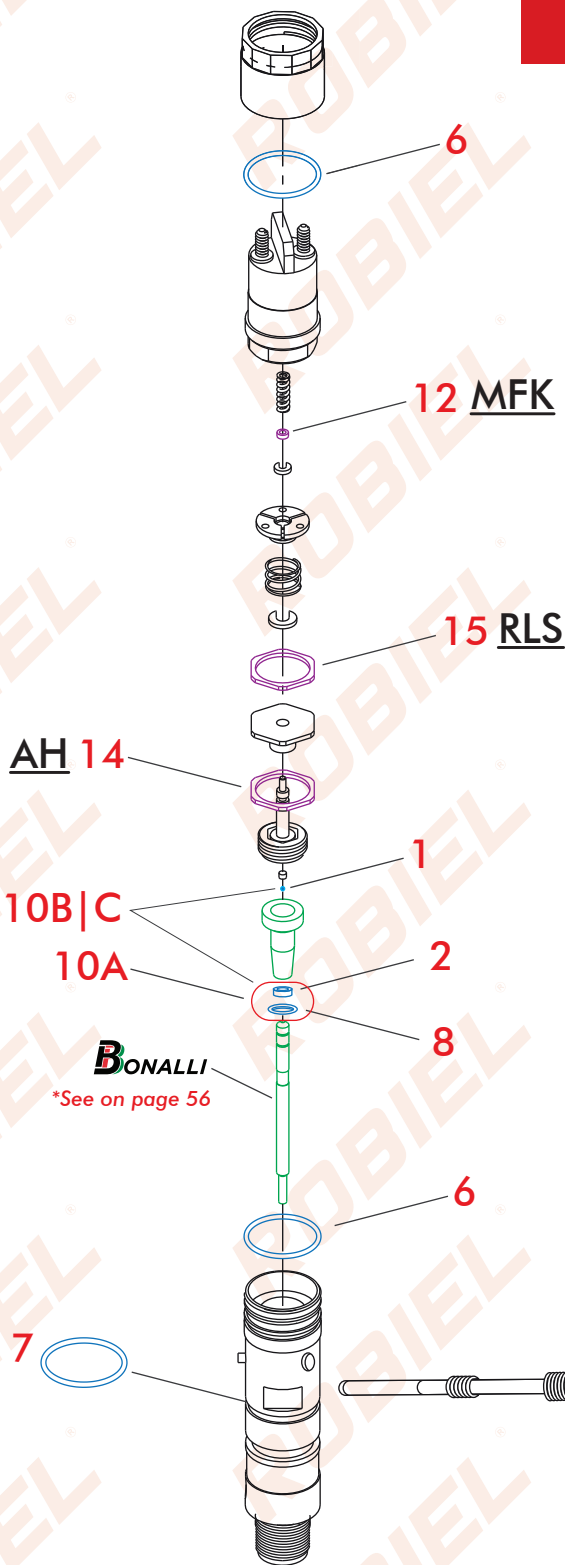
[WWW.ROBIEL.COM](http://WWW.ROBIEL.COM)

UTILIZE A CÂMERA DO SEU CELULAR PARA ESCANEAR O QR CODE E OBTER MAIS INFORMAÇÕES TÉCNICAS DOS PRODUTOS EM NOSSO APLICATIVO **ROBIEL**

BAIXE NOSSO NOVO APP

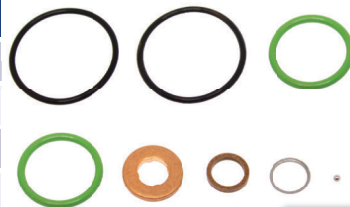


**CRIN INJECTORS**  
INYECTORES CRIN



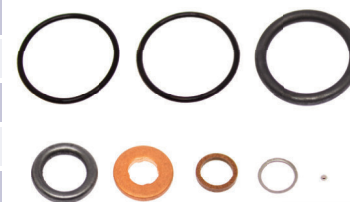
**410.00.281 REPAIR PARTS - SPRINTER CR INJECTOR COMPLETE**  
REPARACION INY COMMON RAIL SPRINTER COMPLETA

REFERENCE CODE				
Nº	ROBIEL CODE	REFERENCE	DESCRIPTION	PACK
1	190.50.11	F 00V C05 001	Ball - Bollita	01pç.
2	424.08.10	F 00V C99 002	Teflon Ring - Anillo Teflon	01pç.
3B	600.02.08	F 00V C17 505 F 00R J01 086	Washer - Arandela 7.00 x 15.00 x 2.00	01pç.
6	421.02.415	F 00R J00 220	O-ring - Anillo	02pç.
7	421.01.720	-	O-ring - Anillo	01pç.
8	808.10.010	F 00V C99 002 F 00R J02 176	Shim - Calzo	01pç.



**410.00.29 REPAIR PARTS - SPRINTER CR INJECTOR COMPLETE**  
REPARACION INY COMMON RAIL SPRINTER COMPLETA

REFERENCE CODE				
Nº	ROBIEL CODE	REFERENCE	DESCRIPTION	PACK
1	190.50.11	F 00V C05 001	Ball - Bollita	01pç.
2	424.08.10	F 00V C99 002	Teflon Ring - Anillo Teflon	01pç.
3A	600.02.07	F 00V C17 503 F 00R J01 453	Washer - Arandela 7.00 x 15.00 x 1.50	01pç.
4	421.01.130	A5419970545	O-ring - Anillo	01pç.
5	421.02.130	A5419970645	O-ring - Anillo	01pç.
6	421.02.415	F 00R J00 220	O-ring - Anillo	02pç.
8	808.10.010	-	Shim - Calzo	01pç.



**PEÇAS AVULSAS**

Nº	CÓD. ROBIEL	REFERÊNCIA	DESCRIÇÃO	EMB.
1	190.50.11	F 00V C05 001	Ball Diameter 1.34mm Bollita de Valvula Diámetro 1.34mm	12pç.
3A	600.02.07	F 00V C17 503 F 00R J01 453	Washer - Cummins Nozzle Arandela de la Tobera Cummins	24pç.
3B	600.02.08	F 00V C17 505 F 00R J01 086	Washer - MWM Nozzle Arandela de la Tobera MWM	24pç.
4	421.01.130	2 430 210 082 A5419970545	O-Ring 11.00 x 3.00mm Anillo 11.0 x 3.00mm	10pç.
5	421.02.130	2 430 210 081 A5419970645	O-Ring 21.00 x 3.00mm Anillo 21.00 x 3.00mm	10pç.
9A	315.06.32	F 00R J00 841	Nut - Nozzle-Retaining Cummins CP3 Injector Tapa de la Tobera Del Inyector Cummins CP3	01pç.
9B	315.06.56	F 00R J00 713   F 00R J02 219	Nut - Nozzle-Retaining MWM 412 TCE Tapa de la Tobera Del Inyector MWM 412 TCE	04pç.
10A	424.08.10C	F 00V C38 002   F 00R J02 176 F 00V C99 002	Repair Parts - Common Rail Injector Rod Reparacion Inyector Baston Common Rail	04jg.
10B	424.08.10D	F 00V C99 002 + Ball	Repair Parts - Common Rail Rod - Ball Ø1.34mm Reparacion Inyector Baston Common Rail Ø1.34mm	01jg.
10C	424.08.10E	F 00V C99 002 + Ball	Repair Parts - Common Rail Rod - Ball Ø1.50mm Reparacion Inyector Baston Common Rail Ø1.50mm	01jg.
11A	165.02.15	Inyectores c/ Caneta	Connection W/ Filter - Delphi/Bosch M14 CR Injector Conexión C/ Filtro p/ Inyector CR MWM	01pç.
11B	165.02.16	Inyectores s/ Caneta	Connection W/ Filter - MWM M14 CR Injector Conexión c/ Filtro p/ Inyector CR MWM	01pç.
17A	220.03.08	F 00R J02 537   F 00R J03 561 6.000.900.262	Protective Cap - Injectors / Units Nozzle - 7.00mm Tapa Protectora p/ Tobera Inyectores / Unidades - 7.00mm	01ct.
17B	220.03.09	F 00H 410 849   F 002 C88 080 6.000.900.076	Protective Cap - Injectors / Units Nozzle - 9.00mm Tapa Protectora p/ Tobera Inyectores / Unidades - 9.00mm	01ct.



**600.02.07**  
Outras Referência:  
2 430 105 009 | 047 | 050



12	SHIM - MWM/CUMMINS PRE-INJECTION (MFK) CALZO DE PRE INYECCION MWM/CUMMINS		
	Ø Int: 2.25 Ø Ext: 4.00		
	ROBIEL CODE	REFERENCE	TICKNESS(mm)
	802.04.10	F 00R J04 649	1,00
	802.04.105	F 00R J04 651	1,05
	802.04.11	F 00R J04 652	1,10
	802.04.115	F 00R J04 654	1,15
	802.04.12	F 00R J04 656	1,20
	802.04.125	F 00R J04 657	1,25
	802.04.13	F 00R J04 659	1,30
	802.04.135	F 00R J04 661	1,35
	802.04.14	F 00R J04 662	1,40
	802.04.145	F 00R J04 664	1,45
	802.04.15	F 00R J04 666	1,50
	802.04.155	F 00R J04 667	1,55
	802.04.16	F 00R J04 669	1,60
	802.04.165	-	1,65
	802.04.17	-	1,70
	<b>06 UNITS</b>		

13	SHIM - CR INJECTOR NOZZLE (DFK) CALZO TOBERA INYECTOR CR		
	Ø Int: 3.50 Ø Ext: 5.30		
	ROBIEL CODE	REFERENCE	TICKNESS(mm)
	803.05.07	-	0,70
	803.05.075	-	0,75
	803.05.08		0,80
	803.05.085		0,85
	803.05.09		0,90
	803.05.095		0,95
	803.05.10	F 00V C10 460 / F 00V C10 570 F 00Z C99 670 / F 00Z C99 057	1,00
	803.05.105	F 00V C10 464 / F 00V C10 574 F 00Z C99 672 / F 00Z C99 059	1,05
	803.05.11	F 00V C10 470 / F 00V C10 580 F 00Z C99 675 / F 00Z C99 062	1,10
	803.05.115	F 00V C10 474 F 00Z C99 064 / F 00Z C99 677	1,15
	803.05.12	F 00V C10 480 / F 00V C10 590 F 00Z C99 680 / F 00Z C99 067	1,20
	803.05.125	F 00V C10 484 / F 00V C10 594 F 00Z C99 682 / F 00Z C99 069	1,25
	803.05.13	F 00V C10 490 / F 00V C10 600 F 00Z C99 685 / F 00Z C99 072	1,30
	803.05.135	F 00V C10 494 / F 00V C10 604 F 00Z C99 687 / F 00Z C99 074	1,35
	803.05.14	F 00V C10 500 / F 00V C10 610 F 00Z C99 690 / F 00Z C99 077	1,40
	803.05.145	F 00V C10 504 F 00Z C99 079 / F 00Z C99 692	1,45
	803.05.15	F 00V C10 510 / F 00V C10 620 F 00Z C99 695 / F 00Z C99 082	1,50
	803.05.155	F 00Z C99 697 / F 00Z C99 698	1,55
	803.05.16	F 00Z C99 700 / F 00Z C99 701	1,60
	803.05.165	F 00Z C99 702 / F 00Z C99 703	1,65
	803.05.17	F 00Z C99 705 / F 00Z C99 706	1,70
	803.05.175	F 00Z C99 707 / F 00Z C99 708	1,75
	803.05.18	F 00Z C99 710 / F 00Z C99 711	1,95
	803.05.19	F 00Z C99 715 / F 00Z C99 716	1,90
	803.05.20	F 00Z C99 720	2,00
	<b>06 UNITS</b>		



**INJECTORS INYECTORES**

Restrictor	Restrictor	Restrictor	Restrictor	Restrictor	Restrictor	Restrictor	Intermediate Pin	Intermediate Pin	Intermediate Pin
CRIN 1   1.6	CRIN 1   1.6	CRIN 1   1.6	CRIN 1   1.6	CRIN 1   1.6	CRIN 1   1.6	CRIN 1   1.6	CRIN 1   1.6	CRIN 1   1.6	CRIN 1   1.6
0 445 120 025	0 445 120 040	0 445 120 108	0 445 120 133	0 445 120 208	0 445 120 250	0 445 120 330	0 445 120 009	0 445 120 119	0 445 120 079
0 445 120 029	0 445 120 041	0 445 120 112	0 445 120 140	0 445 120 209	0 445 120 251	Intermediate Pin	0 445 120 010	0 445 120 020	0 445 120 084
0 445 120 031	0 445 120 051	0 445 120 115	0 445 120 144	0 445 120 210	0 445 120 252	CRIN 1   1.6	0 445 120 011	0 445 120 021	0 445 120 085
0 445 120 033	0 445 120 052	0 445 120 119	0 445 120 151	0 445 120 211	0 445 120 253	0 445 120 002	0 445 120 012	0 445 120 022	0 445 120 089
0 445 120 034	0 445 120 059	0 445 120 120	0 445 120 152	0 445 120 212	0 445 120 254	0 445 120 003	0 445 120 013	0 445 120 028	0 445 120 103
0 445 120 035	0 445 120 060	0 445 120 121	0 445 120 159	0 445 120 231	0 445 120 255	0 445 120 004	0 445 120 014	0 445 120 032	0 445 120 113
0 445 120 036	0 445 120 070	0 445 120 122	0 445 120 173	0 445 120 238	0 445 120 256	0 445 120 005	0 445 120 015	0 445 120 043	0 445 120 114
0 445 120 037	0 445 120 094	0 445 120 123	0 445 120 174	0 445 120 239	0 445 120 272	0 445 120 006	0 445 120 016	0 445 120 046	-
0 445 120 038	0 445 120 096	0 445 120 125	0 445 120 175	0 445 120 240	0 445 120 273	0 445 120 007	0 445 120 017	0 445 120 069	-
0 445 120 039	0 445 120 097	0 445 120 132	0 445 120 176	0 445 120 241	0 445 120 300	0 445 120 008	0 445 120 018	0 445 120 077	-

**16 PIN - MWM INJECTOR (DNH)  
Top Del Injector MWM**



ROBIEL CODE	REFERENCE	TICKNESS(mm)
305.20.830	F 00V C12 408 F 00Z C99 147 / F 00Z C99 762	8,30
305.20.831	F 00V C12 412 F 00Z C99 148 / F 00Z C99 763	8,31
305.20.832	F 00V C12 416 F 00Z C99 149 / F 00Z C99 764	8,32
305.20.833	F 00V C12 420 F 00Z C99 150 / F 00Z C99 765	8,33
305.20.834	-	8,34
305.20.835	F 00V C12 424 F 00Z C99 151 / F 00Z C99 766	8,35
305.20.836	F 00V C12 428 F 00Z C99 152 / F 00Z C99 767	8,36
305.20.837	F 00V C12 432 F 00Z C99 153 / F 00Z C99 768	8,37
305.20.838	F 00V C12 436 F 00Z C99 154 / F 00Z C99 769	8,38
305.20.839	-	8,39
305.20.840	F 00V C12 440 F 00Z C99 155 / F 00Z C99 770	8,40
305.20.841	F 00V C12 444 F 00Z C99 153 / F 00Z C99 771	8,41
305.20.842	F 00V C12 448 F 00Z C99 157 / F 00Z C99 772	8,42
305.20.843	F 00V C12 452 F 00Z C99 158 / F 00Z C99 773	8,43
305.20.844	F 00V C12 456 F 00Z C99 159 / F 00Z C99 774	8,44
305.20.845	F 00V C12 460 F 00Z C99 160 / F 00Z C99 775	8,45
305.20.846	-	8,46
305.20.847	F 00V C12 464 F 00Z C99 161 / F 00Z C99 776	8,47
305.20.848	F 00V C12 468 F 00Z C99 162 / F 00Z C99 777	8,48
305.20.849	F 00V C12 472 F 00Z C99 163 / F 00Z C99 778	8,49

04 UNITS

**16 PIN - CUMMINS / DUCATO INJECTOR (DNH)  
Top Del Injector Cummins/Ducato**



ROBIEL CODE	REFERENCE	TICKNESS(mm)
305.30.834	F 00V C12 322	8,34
305.30.835	F 00V C12 324	8,35
305.30.836	F 00V C12 328	8,36
305.30.837	F 00V C12 332	8,37
305.30.838	F 00V C12 334	8,38
305.30.839	F 00V C12 338	8,39
305.30.840	F 00V C12 340	8,40
305.30.841	F 00V C12 344	8,41
305.30.842	F 00V C12 348	8,42
305.30.843	F 00V C12 352	8,43
305.30.844	F 00V C12 354	8,44
305.30.845	F 00V C12 358	8,45
305.30.846	F 00V C12 362	8,46
305.30.847	F 00V C12 364	8,47
305.30.848	F 00V C12 368	8,48
305.30.849	F 00V C12 372	8,49
305.30.850	F 00V C12 374	8,50
305.30.851	F 00V C12 378	8,51
305.30.852	F 00V C12 382	8,52
305.30.853	F 00V C12 384	8,53
305.30.854	F 00V C12 388	8,54
305.30.855	F 00V C12 392	8,55

04 UNITS

15 SHIM - CR REGULATOR (RLS) CALZO REGULACION COMMON RAIL		
Ø Int: 19.00 Ø Ext: 24.00		
ROBIEL CODE	REFERENCE	TICKNESS(mm)
819.24.092	-	0,92
819.24.093	-	0,93
819.24.094	-	0,94
819.24.095	-	0,95
819.24.096	-	0,96
819.24.097	-	0,97
819.24.098	-	0,98
819.24.099	-	0,99
819.24.100	-	1,00
819.24.101	-	1,01
819.24.102	-	1,02
819.24.103	-	1,03
819.24.104	-	1,04
819.24.106	-	1,06
819.24.108	-	1,08
819.24.110	-	1,10
819.24.112	-	1,12
819.24.114	-	1,14
819.24.116	-	1,16
819.24.125	F OOR J04 142 F OOR J04 142 / F OOR J04 633	1,25
819.24.126	F OOR J00 130	1,26
819.24.127	F OOR J00 132 F OOR J04 144 / F OOR J04 635	1,27
819.24.128	F OOR J00 134 F OOR J04 145 / F OOR J04 636	1,28
819.24.129	F OOR J00 136 F OOR J04 146 / F OOR J04 637	1,29
819.24.130	F OOR J00 138 F OOR J04 147 / F OOR J04 638	1,30
819.24.131	F OOR J00 140 F OOR J04 148 / F OOR J04 639	1,31
819.24.132	F OOR J00 142 F OOR J04 149 / F OOR J04 640	1,32
819.24.133	F OOR J00 144 F OOR J04 150 / F OOR J04 641	1,33
819.24.134	F OOR J00 146 F OOR J04 151 / F OOR J04 642	1,34
819.24.135	F OOR J00 148 F OOR J04 152 / F OOR J04 643	1,35
819.24.140	-	1,40
819.24.145	-	1,45
819.24.150	-	1,50
819.24.155	-	1,55
819.24.160	-	1,60

**04 UNITS**



14 SHIM - CR REGULATOR (AH) CALZO REGULACION COMMON RAIL		
Ø Int: 18.00 Ø Ext: 24.00		
ROBIEL CODE	REFERENCE	TICKNESS(mm)
818.24.085	-	0,85
818.24.088	-	0,88
818.24.092	F OOR J00 012	0,92
818.24.093	F OOR J00 014 / F OOR J00 016	0,93
818.24.094	F OOR J00 018 / F OOR J00 020	0,94
818.24.095	F OOR J00 024 / F OOR J00 026	0,95
818.24.096	F OOR J00 028 / F OOR J00 030	0,96
818.24.097	F OOR J00 034 / F OOR J00 036	0,97
818.24.098	F OOR J00 038 / F OOR J00 040	0,98
818.24.099	F OOR J00 044 / F OOR J00 046	0,99
818.24.100	F OOR J00 048 / F OOR J00 050	1,00
818.24.101	F OOR J00 054 / F OOR J00 056	1,01
818.24.102	F OOR J00 060 / F OOR J00 062	1,02
818.24.103	F OOR J00 064 / F OOR J00 066	1,03
818.24.105	F OOR J00 074 / F OOR J00 076	1,05
818.24.107	F OOR J00 084 / F OOR J00 086	1,07
818.24.109	F OOR J00 094 / F OOR J00 096	1,09

**04 UNITS**

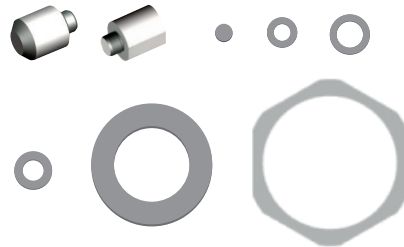


**415.00.011**

**PARTS SET - CRI/CRIN REPAIRING - G2**  
*JUEGO PIEZAS REPARACION CRI / CRIN - R2*

N°	ROBIEL CODE	DESCRIPTION	TICKNESS(mm)	UNITS BY MEASURE
<b>DNH</b>	305.20.830 - 305.20.849	Pin-MWM Injector - <i>Top del Injector MWM</i>	8.30 à 8.49	12 units
<b>DNH</b>	305.30.834 - 305.30.855	Pin-Cummins / Ducato Injector - <i>Top del Injector Cummin/Ducato</i>	8.34 à 8.55	12 units
-	800.02.100 - 800.02.125	Shim - Hold - <i>Calzo Restrictor</i>	1.00 à 1.25	12 units
<b>MFK</b>	802.04.10 - 802.04.125	Shim - Pre Injection - <i>Calzo de Pre Inyeccion</i>	1.00 à 1.25	12 units
<b>DFK</b>	803.05.12 - 803.05.19	Shim-Piezo-Nozzle - <i>Calzo Tobera Inyector Piezo</i>	1.20 à 1.90	12 units
-	803.06.140 - 803.06.160	Shim - Coil - <i>Calzo Bobina</i>	1.40 à 1.60	12 units
-	810.16.117 - 810.16.127	Shim - Pressure Sprinter - <i>Calzo Presion Sprinter</i>	1.17 à 1.27	12 units
<b>AH</b>	818.24.092 - 818.24.103	Shim-CR CP3 Regulator - <i>Calzo Regulation CP3</i>	0.92 à 1.03	12 units
<b>RLS</b>	819.24.125 - 819.24.135	Shim-CR CP3 Regulator - <i>Calzo Regulation CP3</i>	1.25 à 1.35	12 units
-	819.25.094 - 819.25.110	Shim - Adjustment - Debit - <i>Calzo Ajuste Debito</i>	0.94 à 1.10	12 units

**1740 UNITS**



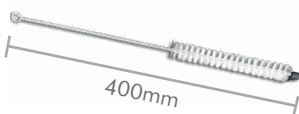
**323.01.3241**

Rotating Vise W / Indexer Pin  
*Morsa Giratoria con Pin Index*



**324.15.01**

Injectors Repair Bracket  
*Soporte para Reparacion de Inyectores*



**323.02.121**

Cleaning Brush  
*Cepillo de Limpieza*  
 12.00mm



**323.50.072**

Bosch CRI 1.0 / 2.0 / 2.1 / 2.2 / CRIN 1 / 1.6 Injectors Tool Set  
*Kit de herramientas Inyectores Bosch CRI 1.0 / 2.0 / 2.1 / 2.2 / CRIN 1 / CRIN 1.6*



**323.02.29**

Tighness test Tool - CRI / CRIN  
 Valve  
*Herramienta Prueba Estanqueidad*  
*Valvula CRI / CRIN*



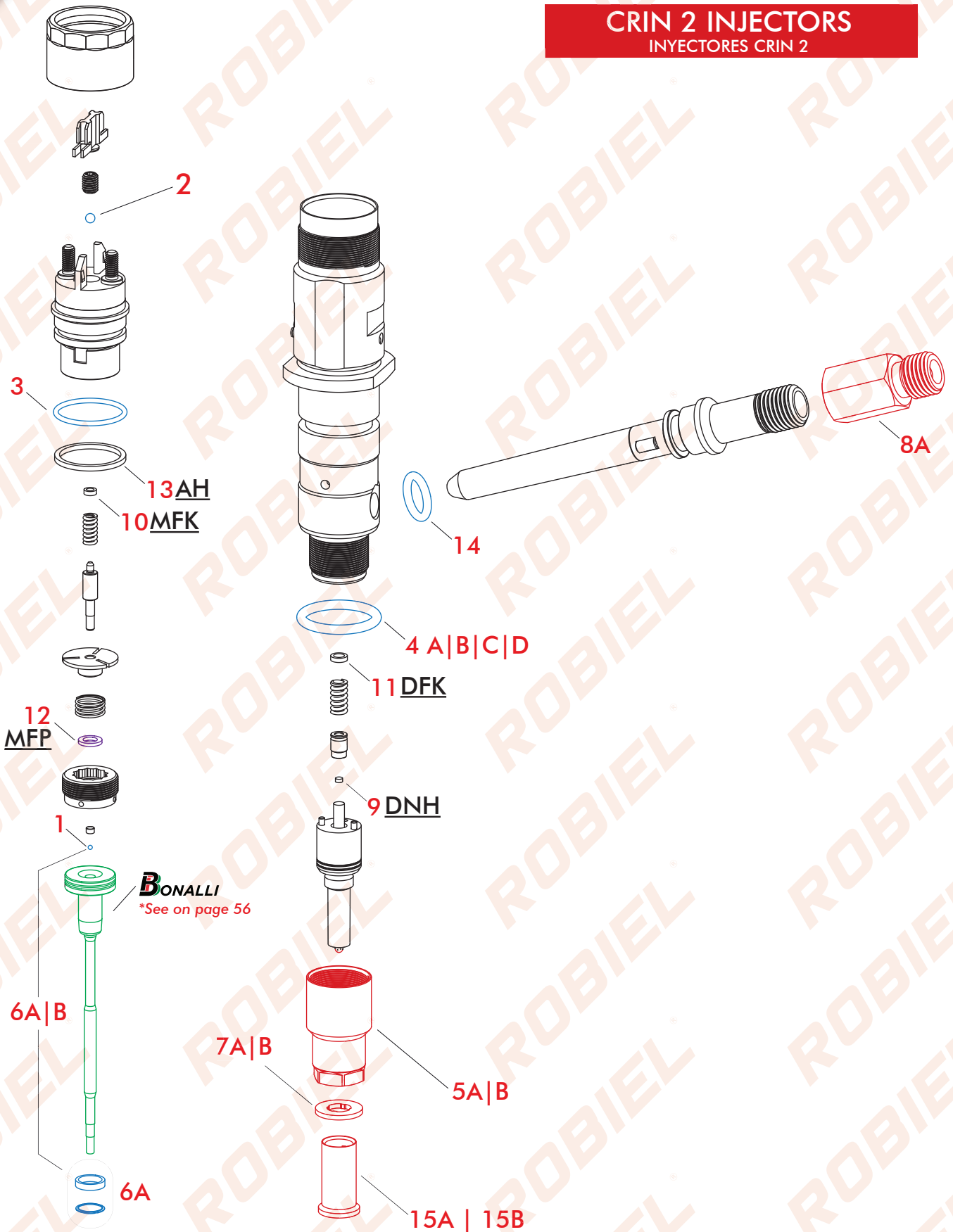
USE YOUR SMARTPHONE CAMERA TO SCAN THE QR CODE AND ACCESS MORE TECHNICAL INFORMATION FROM OUR PRODUCTS IN **ROBIEL** APP.

USE LA CÁMARA DE SU TELÉFONO PARA ESCANEAR EL CÓDIGO QR Y OBTENER MÁS INFORMACIONES TÉCNICAS SOBRE LOS PRODUCTOS EN NUESTRA APLICACIÓN **ROBIEL**.

DOWNLOAD OUR NEW APP  
DESCARGUE NUESTRA NUEVA APLICACIÓN



**CRIN 2 INJECTORS**  
INYECTORES CRIN 2



USE YOUR SMARTPHONE CAMERA TO SCAN THE QR CODE AND ACCESS MORE TECHNICAL INFORMATION FROM OUR PRODUCTS IN **ROBIEL®** APP.

USE LA CÁMARA DE SU TELÉFONO PARA ESCANEAR EL CÓDIGO QR Y OBTENER MÁS INFORMACIONES TÉCNICAS SOBRE LOS PRODUCTOS EN NUESTRA APLICACIÓN **ROBIEL®**.

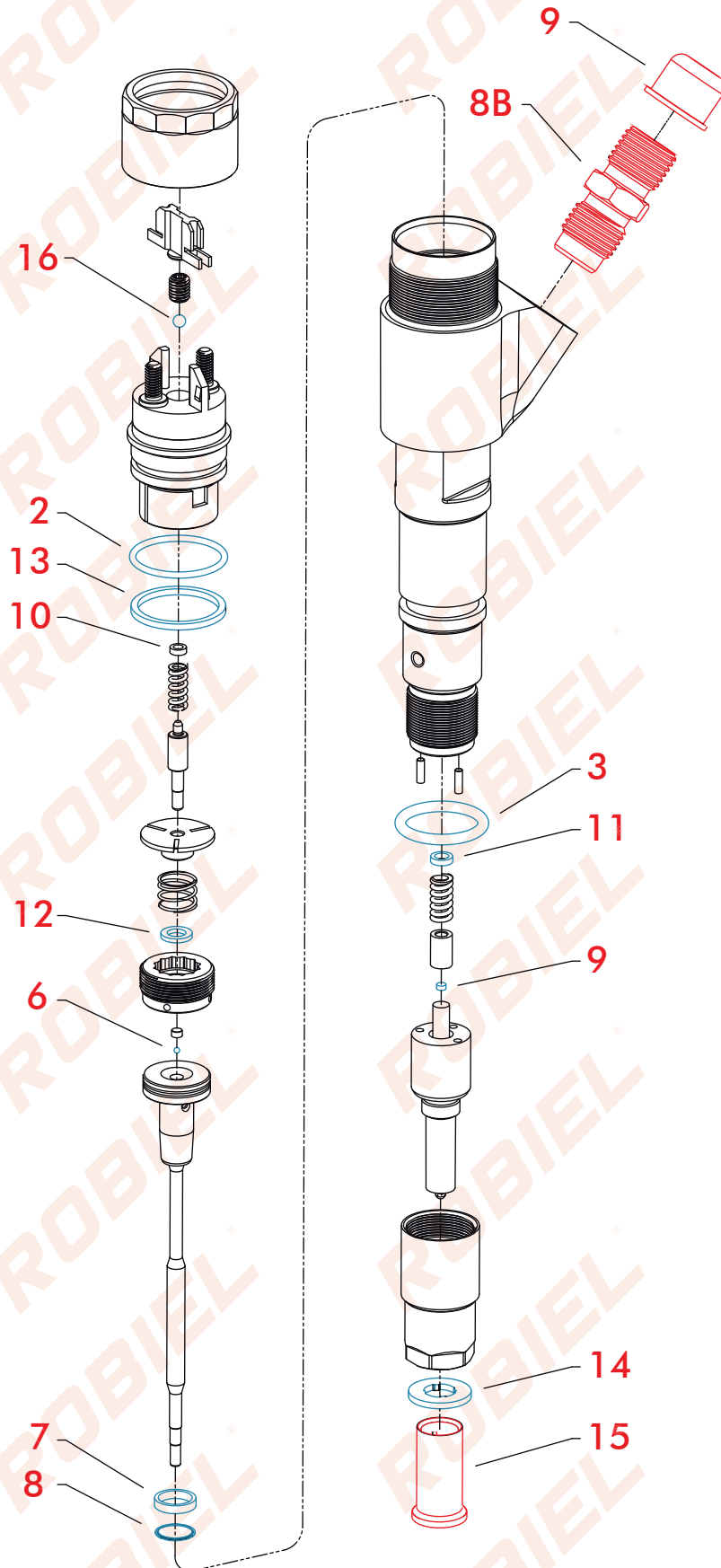
**DOWNLOAD OUR NEW APP**  
DESCARGUE NUESTRA NUEVA APLICACIÓN



## VOLVO INJECTOR EURO V CRIN 2 INJECTORS INYECTORES VOLVO CRIN 2 EURO V INYECTOR

**INJECTORS**

0 445 120 067



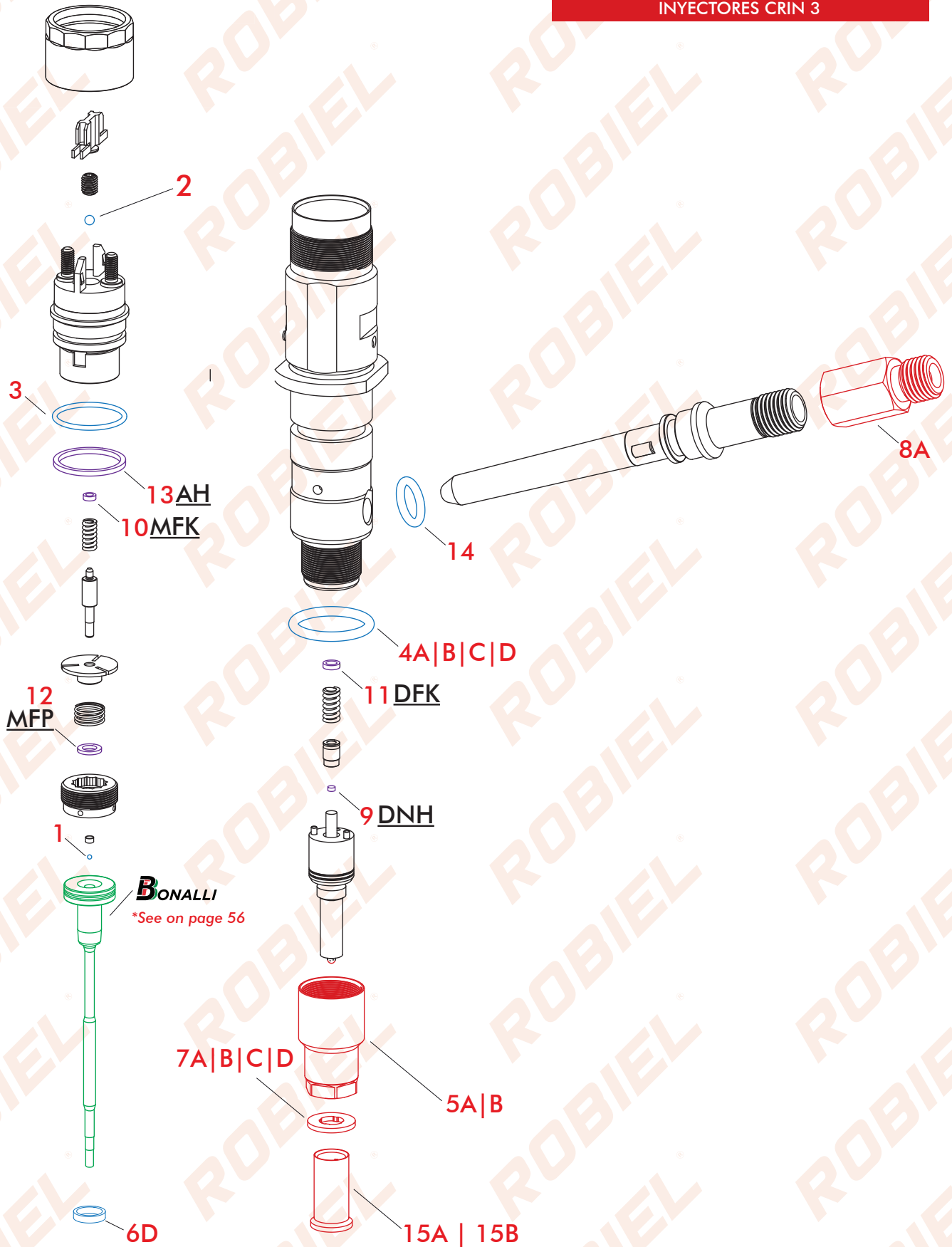
USE YOUR SMARTPHONE CAMERA TO SCAN THE QR CODE AND ACCESS MORE TECHNICAL INFORMATION FROM OUR PRODUCTS IN **ROBIEL®** APP.

USE LA CÁMARA DE SU TELÉFONO PARA ESCANEAR EL CÓDIGO QR Y OBTENER MÁS INFORMACIONES TÉCNICAS SOBRE LOS PRODUCTOS EN NUESTRA APLICACIÓN **ROBIEL®**.

**DOWNLOAD OUR NEW APP**  
DESCARGUE NUESTRA NUEVA APLICACIÓN



**CRIN 3 INJECTORS**  
INYECTORES CRIN 3



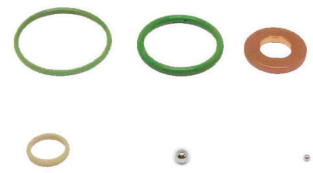
410.00.37		REPAIR PARTS - SPRINTER CR INJECTOR COMPLETE		
		REPARACION INY COMMON RAIL SPRINTER COMPLETA		
APLICACION		CUMMINS		
Nº	ROBIEL CODE	REFERENCE	DESCRIPTION	PACK
1	190.50.11	F 00V C05 001	Ball - Bollita Ø 1.35mm	01 un.
2	190.50.16	F 00R C00 556	Ball - Bollita Ø 3.00mm	01 un.
3	421.02.015	F 00R J00 222	O-ring - Anillo	01 un.
4B	421.02.130	2 430 210 081	O-ring - Anillo	01 un.
14	421.01.130	2 430 210 082	O-ring - Anillo	01 un.
6A	424.08.10C	F 00V C99 002 F 00R J02 176	Repair Parts Common Rail Injector Rod Reparacion Inyector Baston Common Rail	01 un.
7A	600.02.07	F 00V C17 503 F 00R 501 453	Washer - Arandela 7.00 x 15.00 x 1.50	01 un.



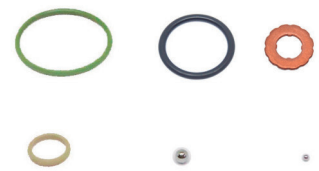
410.00.38		REPAIR PARTS - CUMMINS CRIN 3 / EURO V INJECTOR		
		REPARACION INYECTOR CUMMINS CRIN 3 EURO V		
APLICACION		CUMMINS		
Nº	ROBIEL CODE	REFERENCE	DESCRIPTION	PACK
1	190.50.11	F 00V C05 001	Ball - Bollita Ø 1.35mm	01 pç.
2	190.50.16	F 00R C00 556	Ball - Bollita Ø 3.00mm	01 pç.
6D	424.07.917	F 00R J02 177	Teflon Ring - Anillo Teflon	01 pç.
4B	421.02.130	2 430 210 081	O-ring - Anillo	01 pç.
14	421.01.130	2 430 210 082	O-ring - Anillo	01 pç.
3	421.02.015	F 00R J00 222	O-ring - Anillo	01 pç.
7A	600.02.07	F 00V C17 503 F 00R 501 453	Washer - Arandela 7.00 x 15.00 x 1.50	01 pç.



410.00.39		REPAIR PARTS - MWM CRIN 3 / EURO V INJECTOR		
		REPARACION INYECTOR MWM CRIN 3 EURO V		
APLICACION		MWM		
Nº	ROBIEL CODE	REFERENCE	DESCRIPTION	PACK
1	190.50.11	F 00V C05 001	Ball - Bollita Ø 1.35mm	01 pç.
2	190.50.16	F 00R C00 556	Ball - Bollita Ø 3.00mm	01 pç.
3	421.02.015	F 00R J00 222	O-ring - Anillo	01 pç.
6D	424.07.917	F 00R J02 177	Teflon Ring - Anillo Teflon	01 pç.
4C	421.01.720	-	O-ring - Anillo	01 pç.
7B	600.02.08	F 00V C17 505 F 00R J01 086	Washer - Arandela 7.00 x 15.00 x 2.00	01 pç.



410.00.40		REPAIR PARTS - MAN CRIN 3		
		REPARACION INYECTOR MAN CRIN 3		
INJECTORS		0 445 120 162   0 445 120 186		
Nº	ROBIEL CODE	REFERENCE	DESCRIPTION	PACK
1	190.50.11	F 00V C05 001	Ball - Bollita Ø 1.35mm	01 pç.
2	190.50.16	F 00R C00 556	Ball - Bollita Ø 3.00mm	01 pç.
3	421.02.015	F 00R J00 222	O-ring - Anillo	01 pç.
4D	421.02.430	F 00R J00 534	O-ring - Anillo	01 pç.
6D	424.07.917	F 00R J02 177	Teflon Ring - Anillo Teflon	01 pç.
7D	600.02.10	F 00R J02 175	Washer - Arandela	01 pç.



**410.00.41**
**REPAIR PARTS - MAN INJECTOR CRIN 2**  
 REPARACION INYECTOR MAN CRIN 2

INJECTORS

0 445 120 044 | 0 445 120 045 | 0 445 120 055

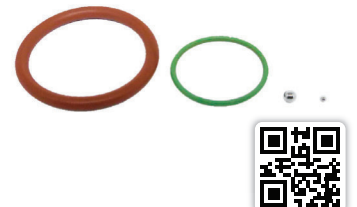
Nº	ROBIEL CODE	REFERENCE	DESCRIPTION	PACK
1	190.50.11	F 00V C05 001	Ball - Bolitta Ø1.35mm	01pç.
2	190.50.16	F 00R C00 556	Ball - Bolitta Ø 3.00mm	01pç.
3	421.02.015	F 00R J00 222	O-ring - Anillo	01pç.
4D	421.02.430	F 00R J00 534	O-ring - Anillo	01pç.
6A	424.08.10C	F 00V C99 002 F 00R J02 176	Repair Parts - Common Rail Injector Rod Reparacion Inyector Baston Common Rail	01pç.
7D	600.02.10	F 00R J02 175	Washer - Arandela	01pç.


**410.20.092**
**REPAIR PARTS - INJECTOR CRIN 2 | 3**  
 REPARACION INYECTOR CRIN 2 | 3

REFERENCE CODE

IVECO | CASE NH

Nº	CÓD. ROBIEL	REFERÊNCIA	DESCRIÇÃO	EMB.
1	190.50.11	F 00V C05 001	Ball - Bolitta Ø1.35mm	01pç.
2	190.50.16	F 00R C00 556	Ball - Bolitta Ø 3.00mm	01pç.
3	421.02.015	F 00R J00 222	O-ring - Anillo	01pç.
4A	421.02.835	-	O-ring - Anillo	01pç.


**410.08.067**
**REPAIR PARTS - VOLVO / RENAULT INJECTOR**  
 REPARACION INYECTOR VOLVO / RENAULT

REFERENCE CODE

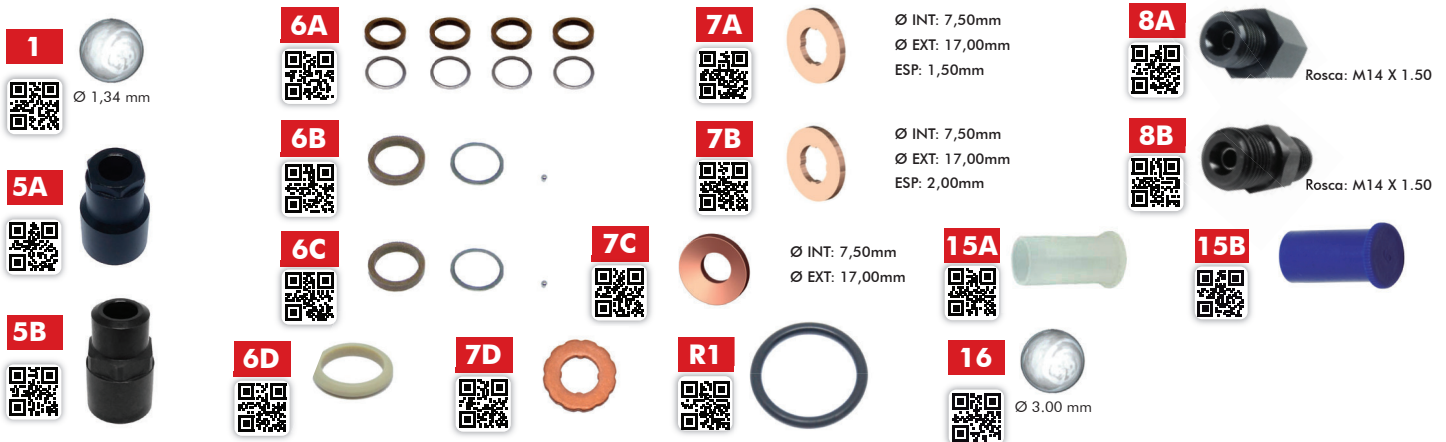
Nº	ROBIEL CODE	REFERENCE	DESCRIPTION	PACK
2	421.02.0150	F00RJ00222	Oring Green 20.00 x 1.50 mm Anillo Oring Green 20.00 x 1.50 mm	01pç.
6	190.50.11	F00VC05001	Ball Diameter 1.34mm Bolilla de Valvula Diametro 1.34mm	01pç.
7	424.08.10	F00RJ02176	Profile Ring Brown 8.00 x 1.60 mm Anillo Perfil Marron 8.00 x 1.60 mm	01pç.
8	808.10.010	F00RJ02176	Shim - CR Nozzle Rod 0.10 mm Calzo Baston Tobera Common Rail - 0.10mm	01pç.
9	220.03.02	-	Protective Cap "A" - Thread 10.0 mm Tapa de Proteccion A - Rosca 10.0 mm	01pç.
11	421.01.725	F00RJ01482	Oring Green Anillo Oring Verde	01pç.
14	600.02.07	F00RJ01453	Profile Washer - Cooper - 7.00 x 15.00 x 1.50 mm Arandela Perfil Cobre 7.00 x 15.00 x 1.50 mm	01pç.
15	220.03.08	F00RJ04364	Protective Cap - Injector/Units Nozzle 7.00 mm Tapa Protectora p/ Tobera Inyec/Unidades 7.00 mm	01pç.





**SPARE PARTS**  
Repuestos

Nº	ROBIEL CODE	REFERENCE	DESCRIPTION	PACK
<b>1</b>	190.50.11	F 00V C05 001	Ball Diameter 1.34mm Bollilla de Valvula Diametro 1.34mm	12un.
<b>5A</b>	315.06.56	F 00R J00 713   F 00R J02 219	Nut - Nozzle-Retaining MWM 412 TCE Tapa de la Tobera Del Inyector MWM 412 TCE	04un.
<b>5B</b>	315.06.57	F 00R J00 842   F 00R J02 552	Nut - Nozzle-Retaining Iveco / Case / NH Tapa de la Tobera Del Inyector Iveco / Case / NH	01un.
<b>6A</b>	424.08.10C	F 00V C99 002   F 00R J02 176	Repair Parts - Common Rail Injector Rod Reparacion Inyector Baston Common Rail	04 kit
<b>6B</b>	424.08.10D	F 00V C99 002 + Ball	Repair Parts - Common Rail Injector Rod - Ball Ø 1.34mm Reparacion Inyector Baston Common Rail - Ballilla Ø 1.34mm	01 kit
<b>6C</b>	424.08.10E	F 00V C99 002 + Ball	Repair Parts - Common Rail Injector Rod - Ball Ø 1.50mm Reparacion Inyector Baston Common Rail - Ballilla Ø 1.50mm	01 kit
<b>6D</b>	424.07.917	F00R J02 177	Teflon O-ring - Crin 3 Anillo Teflon - CRIN 3	06un.
<b>7A</b>	600.02.07	F 00V C17 503   F 00R J01 453	Washer - Cummins Nozzle Arandela de la Tobera Cummins	24un.
<b>7B</b>	600.02.08	F 00V C17 505   F 00R J01 086	Washer - MWM Nozzle Arandela de la Tobera MWM	24un.
<b>7C</b>	600.07.17	CASE 504 262 598	Washer - Case Magnum MX325 Injector Arandela de lo Inyector Case Magum MX325	12un.
<b>7D</b>	600.02.10	F 00R J02 175	Washer - Man Nozzle Arandela de la Tobera MAN	06un.
<b>8A</b>	165.02.15	Inyectores c/ Caneta	Connection W/ Filter - Delphi / Bosch M14 CR Injector Conexión c/ Filtro Inyector CR Delphi / Bosch	01un.
<b>8B</b>	165.02.16	Inyectores s/ Caneta	Connection W/ Filter - MWM M14 CR Injector Conexión c/ Filtro Inyector CR MWM	01un.
<b>15A</b>	220.03.08	F 00R J02 537   F 00R J03 561 6.000.900.262	Protective Cap - Injectors / Units Nozzle - 7.00mm Tapa Protectora p/ Tobera Inyectores / Unidades - 7.00mm	01kit
<b>15B</b>	220.03.09	F 00H 410 849   F 002 C88 080 6.000.900.076	Protective Cap - Injectors / Units Nozzle - 9.00mm Tapa Protectora p/ Tobera Inyectores / Unidades - 9.00mm	01kit
<b>16</b>	190.50.16	-	Ball Diameter 3.00mm Bollilla de Valvula Diametro 3.00mm	01pç.
<b>R1</b>	421.02.430	F 00R J00 534	O-ring - External - MAN Injector Anillo Externo Inyector MAN	06un.



10	SHIM - MWM/CUMMINS PRE-INJECTION (MFK) CALZO DE PRE INYECCION MWM/CUMMINS					
	Ø Int: 2,25 Ø Ext: 4,00					
ROBIEL CODE	REFERENCE	TICKNESS(mm)	ROBIEL CODE	REFERENCE	TICKNESS(mm)	
802.04.10	F 00R J04 649	1,00	802.04.14	F 00R J04 662	1,40	
802.04.105	F 00R J04 651	1,05	802.04.145	F 00R J04 664	1,45	
802.04.11	F 00R J04 652	1,10	802.04.15	F 00R J04 666	1,50	
802.04.115	F 00R J04 654	1,15	802.04.155	F 00R J04 667	1,55	
802.04.12	F 00R J04 656	1,20	802.04.16	F 00R J04 669	1,60	
802.04.125	F 00R J04 657	1,25	802.04.165	-	1,65	
802.04.13	F 00R J04 659	1,30	802.04.17	-	1,70	
802.04.135	F 00R J04 661	1,35	<b>06 UNITS</b>			

**9 SHIM HOLD - COMMON RAIL NOZZLE (DNH)**  
 CALZO RESTRICTOR TOBERA COMMON RAIL  
 Ø Ext: 2,30



ROBIEL CODE	REFERENCE	TICKNESS(mm)
800.02.100	F 00V C12 500 F 00Z C99 108 / F 00Z C99 722	1,00
800.02.101	F 00V C12 502 F 00Z C99 109 / F 00Z C99 723	1,01
800.02.102	F 00V C12 504 F 00Z C99 110 / F 00Z C99 724	1,02
800.02.103	F 00V C12 506 F 00Z C99 111 / F 00Z C99 725	1,03
800.02.104	F 00V C12 508 F 00Z C99 112 / F 00Z C99 726	1,04
800.02.105	F 00V C12 510 F 00Z C99 113 / F 00Z C99 727	1,05
800.02.106	F 00V C12 512 F 00Z C99 114 / F 00Z C99 728	1,06
800.02.107	F 00V C12 514 F 00Z C99 115 / F 00Z C99 729	1,07
800.02.108	F 00V C12 516 F 00Z C99 116 / F 00Z C99 730	1,08
800.02.109	F 00V C12 518 F 00Z C99 117 / F 00Z C99 731	1,09
800.02.110	F 00V C12 520 F 00Z C99 118 / F 00Z C99 732	1,10
800.02.111	F 00V C12 522 F 00Z C99 119 / F 00Z C99 733	1,11
800.02.112	F 00V C12 524 F 00Z C99 120 / F 00Z C99 734	1,12
800.02.113	F 00V C12 526 F 00Z C99 121 / F 00Z C99 735	1,13
800.02.114	F 00V C12 528 F 00Z C99 122 / F 00Z C99 736	1,14
800.02.115	F 00V C99 530 / F 00Z C99 123	1,15
800.02.116	F 00V C12 532 F 00Z C99 124 / F 00Z C99 738	1,16
800.02.117	F 00V C12 534 F 00Z C99 125 / F 00Z C99 739	1,17
800.02.118	F 00V C12 536 F 00Z C99 126 / F 00Z C99 740	1,18
800.02.119	F 00V C12 538 F 00Z C99 127 / F 00Z C99 741	1,19
800.02.120	F 00V C12 540 F 00Z C99 128 / F 00Z C99 742	1,20
800.02.121	F 00V C12 542 F 00Z C99 129 / F 00Z C99 743	1,21
800.02.122	F 00V C12 544 F 00Z C99 130 / F 00Z C99 744	1,22
800.02.123	F 00V C12 546 F 00Z C99 131 / F 00Z C99 745	1,23
800.02.124	F 00V C12 548 F 00Z C99 132 / F 00Z C99 746	1,24
800.02.125	F 00V C12 550 F 00Z C99 133 / F 00Z C99 747	1,25
800.02.126	F 00V C12 552 F 00Z C99 134 / F 00Z C99 748	1,26
800.02.127	F 00V C12 554 F 00Z C99 135 / F 00Z C99 749	1,27
800.02.128	F 00V C12 556 F 00Z C99 136 / F 00Z C99 750	1,28
800.02.129	F 00V C12 558 F 00Z C99 137 / F 00Z C99 751	1,29
800.02.130	F 00V C12 560 F 00Z C99 138 / F 00Z C99 752	1,30
800.02.131	F 00V C12 562 F 00Z C99 139 / F 00Z C99 753	1,31
800.02.132	F 00V C12 564 F 00Z C99 140 / F 00Z C99 754	1,32
800.02.133	F 00V C12 566 F 00Z C99 141 / F 00Z C99 755	1,33
800.02.134	F 00V C12 568 F 00Z C99 142 / F 00Z C99 756	1,34
800.02.135	F 00V C12 570 F 00Z C99 143 / F 00Z C99 757	1,35
800.02.138	-	1,38
800.02.140	-	1,40

06 UNITS

**11 SHIM - MWM/CUMMINS PRE-INJECTION (MFK)**  
 CALZO DE PRE INYECCION MWM/CUMMINS  
 Ø Int: 3,50 Ø Ext: 5,30



ROBIEL CODE	REFERENCE	TICKNESS(mm)
803.05.07	-	0,70
803.05.075	-	0,75
803.05.08	-	0,80
803.05.085	-	0,85
803.05.09	-	0,90
803.05.095	-	0,95
803.05.10	F 00V C10 460	1,00
803.05.105	F 00V C10 464	1,05
803.05.11	F 00V C10 470	1,10
803.05.115	F 00V C10 474	1,15
803.05.12	F 00V C10 480	1,20
803.05.125	F 00V C10 484	1,25
803.05.13	F 00V C10 490	1,30
803.05.135	F 00V C10 494	1,35
803.05.14	F 00V C10 500	1,40
803.05.145	F 00V C10 504	1,45
803.05.15	F 00V C10 510	1,50
803.05.155	F 00V C10 514	1,55
803.05.16	F 00V C10 520	1,60
803.05.165	F 00V C10 524	1,65
803.05.17	F 00V C10 530	1,70
803.05.175	F 00V C10 534	1,75
803.05.18	F 00V C10 540	1,80
803.05.19	F 00V C10 550	1,90
803.05.20	F 00V C10 560	2,00

06 UNITS

**12 SHIM - INJECTOR SOLENOID BALL COURSE (MFP)**  
 CALZO CARRERA DE APERTURA BOLLILLA SOLEN INYECTOR  
 Ø Int: 4,50 Ø Ext: 7,70



ROBIEL CODE	REFERENCE	TICKNESS(mm)
805.07.100	F 00R J01 010 F 00R J04 227 / F 00R J04 716	1,00
805.07.101	F 00R J01 011 F 00R J04 228 / F 00R J04 717	1,01
805.07.102	F 00R J01 012 F 00R J04 229 / F 00R J04 718	1,02
805.07.103	F 00R J01 013 F 00R J04 230 / F 00R J04 719	1,03
805.07.104	F 00R J01 014 F 00R J04 231 / F 00R J04 720	1,04
805.07.105	F 00R J01 015 F 00R J04 232 / F 00R J04 721	1,05
805.07.106	F 00R J01 016 F 00R J04 233 / F 00R J04 722	1,06
805.07.107	F 00R J01 017 F 00R J04 234 / F 00R J04 723	1,07
805.07.108	F 00R J01 018 F 00R J04 235 / F 00R J04 724	1,08
805.07.109	F 00R J01 019 F 00R J04 236 / F 00R J04 725	1,09
805.07.110	F 00R J01 020 F 00R J04 237 / F 00R J04 726	1,10
805.07.111	F 00R J01 021 F 00R J04 238 / F 00R J04 727	1,11
805.07.112	F 00R J01 022 F 00R J04 239 / F 00R J04 728	1,12

06 UNITS

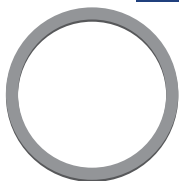
\* Application: 0 445 120 092 e 0 445 120 157  
 Iveco | Case New Holland

13

**SHIM - INJECTORS COIL (AH)**

CALZO BOBINA INYECCION

Ø Int: 19,60 Ø Ext: 22,80



ROBIEL CODE	REFERENCE	TICKNESS(mm)	ROBIEL CODE	REFERENCE	TICKNESS(mm)
819.22.150	-	1,50	819.22.161	F OOR J00 919 F OOR J04 204 / F OOR J04 695	1,61
819.22.151	F OOR J00 869 F OOR J04 181 / F OOR J04 670	1,51	819.22.162	F OOR J00 923 F OOR J04 208 / F OOR J04 697	1,62
819.22.152	F OOR J00 873 F OOR J04 183 / F OOR J04 672	1,52	819.22.163	F OOR J00 929 F OOR J04 211 / F OOR J04 700	1,63
819.22.153	F OOR J00 879 F OOR J04 186 / F OOR J04 675	1,53	819.22.164	F OOR J00 933 F OOR J04 213 / F OOR J04 702	1,64
819.22.154	F OOR J00 883 F OOR J04 188 / F OOR J04 677	1,54	819.22.166	F OOR J00 943 F OOR J04 218 / F OOR J04 707	1,66
819.22.155	F OOR J00 889 F OOR J04 191 / F OOR J04 680	1,55	819.22.168	F OOR J00 953 F OOR J04 223 / F OOR J04 712	1,68
819.22.156	F OOR J00 893 F OOR J04 193 / F OOR J04 682	1,56	819.22.170	-	1,70
819.22.157	F OOR J00 899 F OOR J04 196 / F OOR J04 685	1,57	<b>06 UNITS</b>		
819.22.158	F OOR J00 903 F OOR J04 198 / F OOR J04 687	1,58			
819.22.159	F OOR J00 909 F OOR J04 201 / F OOR J04 690	1,59			
819.22.160	F OOR J04 913 F OOR J04 203 / F OOR J04 692	1,60			
<b>06 UNITS</b>					

\* Application: 0 445 120 092 e 0 445 120 157  
Veículos: Iveco | Case New Holland

**INJECTORS - INYECTORES**

CRIN 2	CRIN 2	CRIN 2	CRIN 2	CRIN 2	CRIN 2	CRIN 3	CRIN 3	CRIN 3	CRIN 3.3
0 445 120 024	0 445 120 078	0 445 120 130	0 445 120 164	0 445 120 222	0 445 120 264	0 445 120 050	0 445 120 184	0 445 120 257	0 445 120 058
0 445 120 026	0 445 120 080	0 445 120 131	0 445 120 165	0 445 120 223	0 445 120 265	0 445 120 071	0 445 120 185	0 445 120 258	0 445 120 095
0 445 120 030	0 445 120 081	0 445 120 134	0 445 120 166	0 445 120 224	0 445 120 266	0 445 120 092	0 445 120 186	0 445 120 259	0 445 120 109
0 445 120 044	0 445 120 083	0 445 120 136	0 445 120 169	0 445 120 225	0 445 120 268	0 445 120 118	0 445 120 187	0 445 120 267	0 445 120 243
0 445 120 045	0 445 120 086	0 445 120 137	0 445 120 170	0 445 120 226	0 445 120 274	0 445 120 135	0 445 120 188	0 445 120 269	C/ CONECTOR
0 445 120 053	0 445 120 087	0 445 120 138	0 445 120 182	0 445 120 227	0 445 120 275	0 445 120 143	0 445 120 193	0 445 120 276	0 445 120 047
0 445 120 054	0 445 120 088	0 445 120 139	0 445 120 183	0 445 120 228	0 445 120 277	0 445 120 157	0 445 120 197	0 445 120 279	0 445 120 048
0 445 120 055	0 445 120 098	0 445 120 141	0 445 120 190	0 445 120 232	0 445 120 278	0 445 120 161	0 445 120 199	0 445 120 281	0 445 120 049
0 445 120 056	0 445 120 099	0 445 120 142	0 445 120 191	0 445 120 234	0 445 120 289	0 445 120 162	0 445 120 201	0 445 120 282	0 445 120 072
0 445 120 057	0 445 120 100	0 445 120 145	0 445 120 192	0 445 120 236	0 445 120 290	0 445 120 167	0 445 120 202	0 445 120 327	0 445 120 073
0 445 120 061	0 445 120 101	0 445 120 146	0 445 120 196	0 445 120 237	0 445 120 291	0 445 120 177	0 445 120 204	C/ CONECTOR	0 445 120 076
0 445 120 062	0 445 120 102	0 445 120 147	0 445 120 200	0 445 120 242	0 445 120 292	0 445 120 178	0 445 120 216	0 445 120 042	0 445 120 090
0 445 120 063	0 445 120 105	0 445 120 148	0 445 120 203	0 445 120 244	0 445 120 293	0 445 120 179	0 445 120 229	0 445 120 082	0 445 120 091
0 445 120 064	0 445 120 106	0 445 120 149	0 445 120 213	0 445 120 245	0 445 120 294	0 445 120 180	0 445 120 233	-	0 445 120 093
0 445 120 065	0 445 120 107	0 445 120 150	0 445 120 215	0 445 120 246	0 445 120 295	0 445 120 181	0 445 120 235	-	0 445 120 126
0 445 120 066	0 445 120 110	0 445 120 153	0 445 120 217	0 445 120 247	C/ CONECTOR	-	-	-	-
0 445 120 067	0 445 120 111	0 445 120 154	0 445 120 218	0 445 120 260	0 445 120 027	-	-	-	-
0 445 120 068	0 445 120 117	0 445 120 155	0 445 120 219	0 445 120 261	-	-	-	-	-
0 445 120 074	0 445 120 124	0 445 120 156	0 445 120 220	0 445 120 262	-	-	-	-	-
0 445 120 075	0 445 120 127	0 445 120 158	0 445 120 221	0 445 120 263	-	-	-	-	-

**415.00.021**

**SHIM - INJECTORS COIL REPAIRING - R2**  
 JUEGO PIEZAS REPARACION CRIN 2 / CRIN 3 - R2

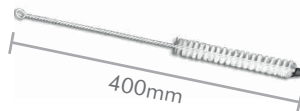
Nº	ROBIEL CODE	DESCRIPTION	TICKNESS(mm)	UNITS BY MEASURE
AH	819.22.150 - 819.22.160	Shim - Coil - Calzo Bobina Iveco   Case   NH	1,50 à 1,60	12 units
MFK	802.04.13 - 802.04.165	Shim - Pre Injection - Calzo de pre Inyeccion MWM   Cummins	1,30 à 1,70	12 units
MFP	805.07.100 - 805.07.112	Shim - Injector Solenoid Ball Course Calzo Carrera de Apertura Bolilla Solen Injector	1,00 à 1,12	12 units
DFK	803.05.12 - 803.05.16	Shim - Coil - Calzo Bobina	1,20 à 1,60	12 units
DNH	800.02.110 - 800.02.125	Shim - Coil - Calzo Bobina	1,10 à 1,25	12 units

**576 UNITS**



**323.01.3241**

Rotating Vise W / Indexer Pin  
 Morsa Giratoria con Pin Indez



**323.02.121**

Cleaning Brush  
 Cepillo de Limpieza  
 Ø 12,00mm



**323.01.841**

Nut Wrench - Iveco / Case / NH  
 Injector Nozzle

Llave Wrench de la Tobera Inyector Iveco /

Case NH

0 445 120

002|092|157|276



**324.15.01**

Injectors Repair Bracket  
 Soporte para Reparación de Inyectores



**323.02.291**

Tighness test Tool - CRI / CRIN  
 Valve  
 Herramienta Prueba Estanqueidad  
 Valvula CRI / CRIN



**323.50.063**

Bosch CRI 1.0 / 2.0 / 2.1 / 2/2  
 / CRIN 1 / 1.6 Injectors Tool Set  
 Kit de herramientas Inyectores Bosch CRI  
 1.0 / 2.0 / 2.1 / 2.2 / CRIN 1 / CRIN 1.6



USE YOUR SMARTPHONE CAMERA TO SCAN THE QR CODE AND ACCESS MORE **TECHNICAL INFORMATION** FROM OUR PRODUCTS IN **ROBIEL** APP.  
 USE LA CÁMARA DE SU TELÉFONO PARA ESCANEAR EL CÓDIGO QR Y OBTENER MÁS **INFORMACIONES TÉCNICAS** SOBRE LOS PRODUCTOS EN NUESTRA APLICACIÓN **ROBIEL**.

**DOWNLOAD OUR NEW APP**  
 DESCARGUE NUESTRA NUEVA APLICACIÓN



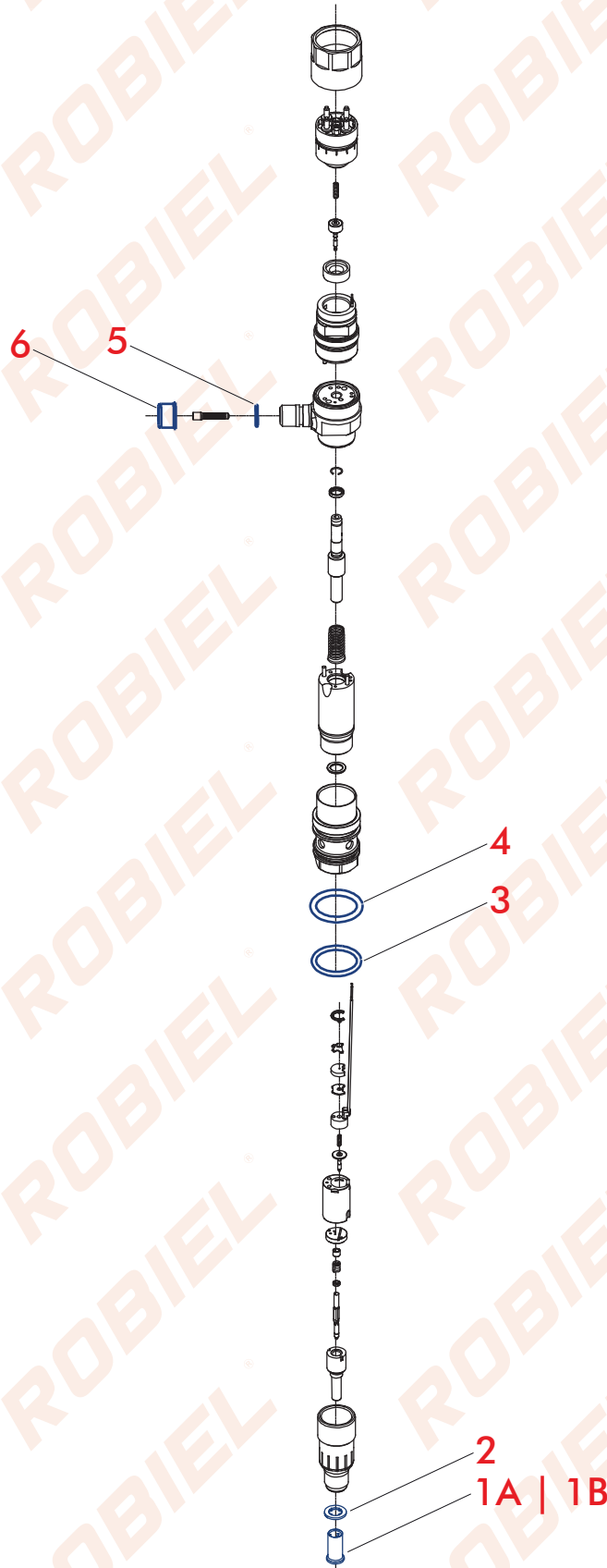
## CRIN 4.2 INJECTORS

INYECTORES CRIN 4.2

FREIGHTLINER | DETROIT DDE 16 15.6L  
 DETROIT DDE 15 14.8L | DETROIT DDE13 12.8L

**INJECTORS**

- 0 445 120 104
- 0 445 120 194
- 0 445 120 195
- 0 445 120 207
- 0 445 120 270
- 0 445 120 271
- 0 445 120 283
- 0 445 120 284
- 0 445 120 285
- 0 445 120 286
- 0 445 120 287
- 0 445 120 288
- 0 445 120 298
- 0 445 120 299
- 0 445 120 300
- 0 445 120 301
- 0 445 120 302
- 0 445 120 303
- 0 445 120 374
- 0 445 120 375
- 0 445 120 385
- 0 445 120 386



**410.33.337**

**EXTERNAL REPAIR PARTS - CRIN 4.2 INJECTOR**  
 REPARACION EXTERNO INYECTORES CRIN 4.2

REFERENCE CODE		F 00E 200 337		
Nº	ROBIEL CODE	REFERENCE	DESCRIPTION	PACK
1A	220.03.08	F 00R J02 537   F 00R J03 561 6.000.900.262	Protective Cap - Tapa Protectora	01un.
2	600.02.01	2 430 105 049	Washer - Arandela	01un.
3	421.30.265	F 00R J01 951	O-ring - Anillo	01un.
4	421.29.735	F 00R J01 950	O-ring - Anillo	01un.
5	421.01.320	F 00R J01 947	O-ring - Anillo	01un.
6	220.03.03	F 00R J03 563	Protective Cap - Tapa Protectora	01un.



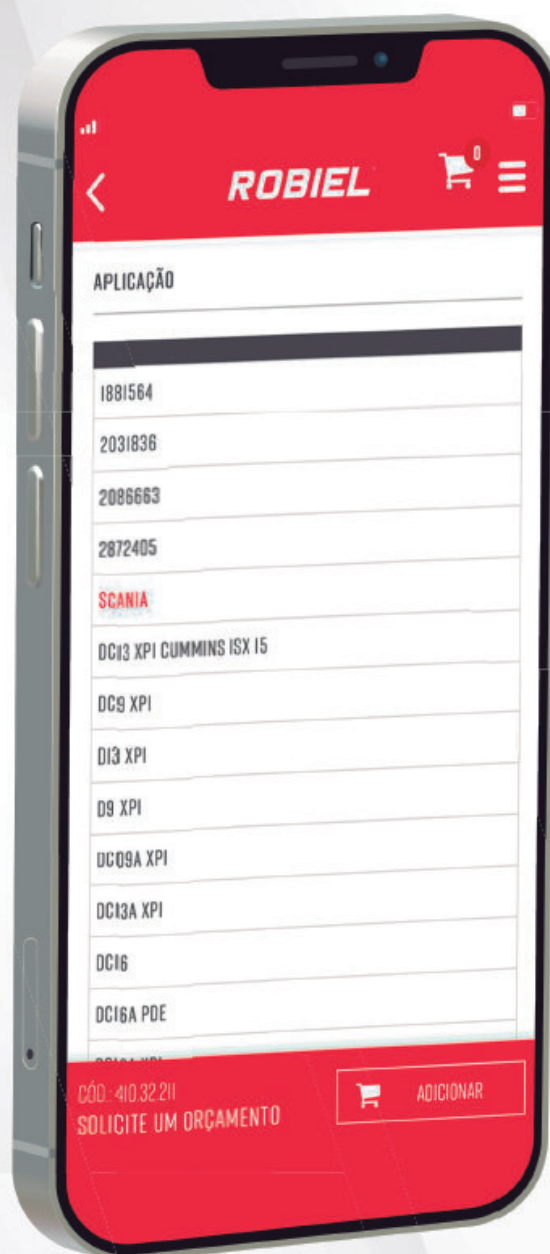
**SPARE PARTS**

Repuestos

Nº	ROBIEL CODE	REFERENCE	DESCRIPTION	PACK
1A	220.03.08	F 00R J02 537   F 00R J03 561 6.000.900.262	PROTECTIVE CAP - INJECTOR NOZZLE 7.00 mm TAPA PROTECTORA P/ TOBERA INY 7.00 mm	01ct.
1B	220.03.09	F 00H 410 849   F 002 C88 080 6.000.900.076	PROTECTIVE CAP - INJECTOR NOZZLE 9.00 mm TAPA PROTECTORA P/ TOBERA INY 9.00 mm	01ct.
6	220.03.03	-	PROTECTIVE CAP "C" - THREAD 16.0 mm TAPA DE PROTECCION C - ROSCA 16.0 mm	01ct.
2	600.02.01	2 430 105 049	PROTECTIVE CAP - INJECTOR NOZZLE 7.00 mm ARANDELA PERFIL COBRE 7.00 x 15.50 x 1.50 mm	01ct.



# CONSULT THE **APPLICATIONS** OF THE PRODUCTS **ROBIEL**<sup>®</sup>



**DOWNLOAD NOW!**



[WWW.ROBIEL.COM](http://WWW.ROBIEL.COM)

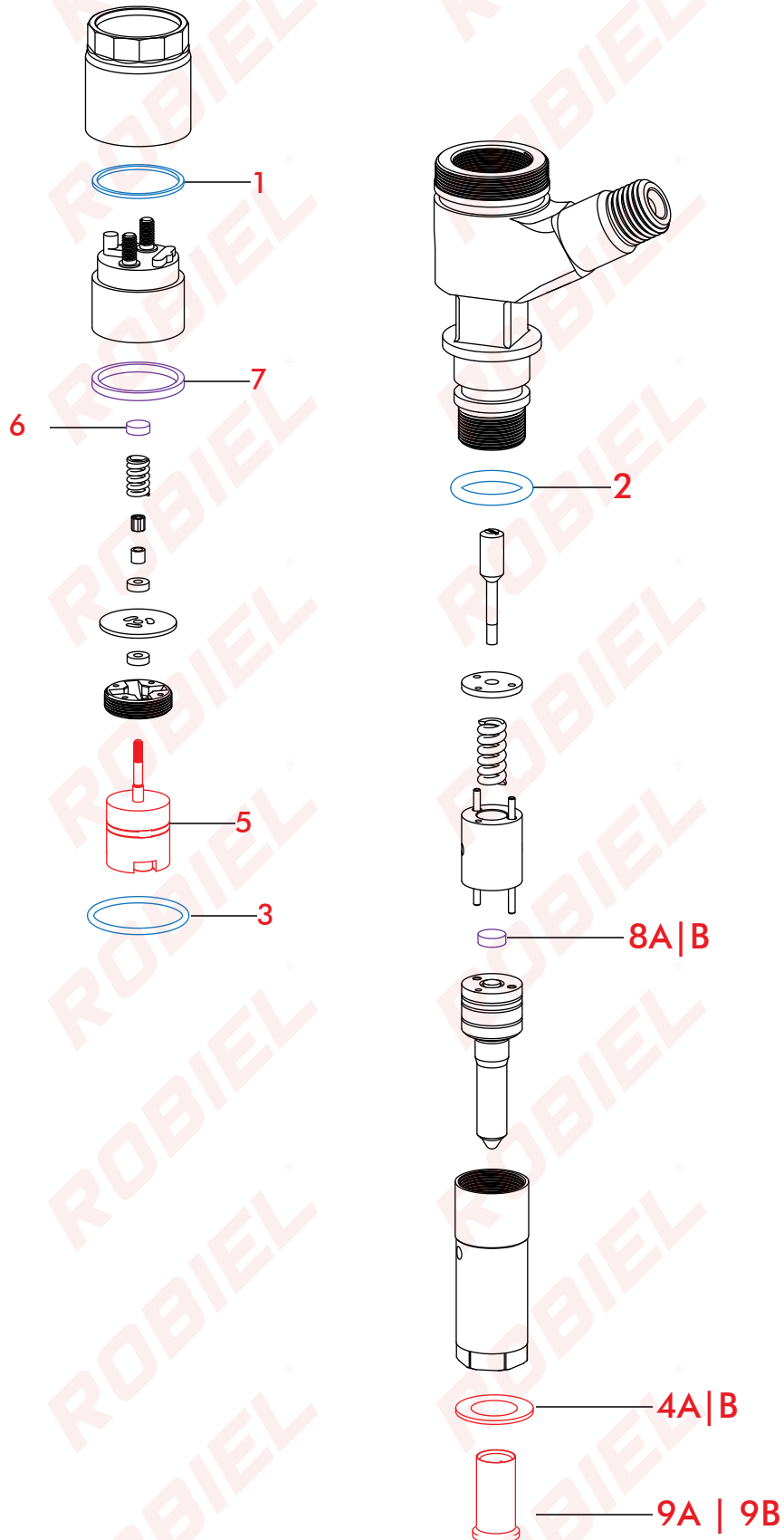
USE YOUR SMARTPHONE CAMERA TO SCAN THE QR CODE AND ACCESS MORE TECHNICAL INFORMATION FROM OUR PRODUCTS IN **ROBIEL** APP.

USE LA CÁMARA DE SU TELÉFONO PARA ESCANEAR EL CÓDIGO QR Y OBTENER MÁS INFORMACIONES TÉCNICAS SOBRE LOS PRODUCTOS EN NUESTRA APLICACIÓN **ROBIEL**.

**DOWNLOAD OUR NEW APP**  
DESCARGUE NUESTRA NUEVA APLICACIÓN



**CATERPILLAR | PERKINS | MITSUBISHI INJECTOR**  
INYECTOR CATERPILLAR | PERKINS | MITSUBISHI





**410.00.062 REPAIR PARTS - CATERPILLAR/ PERKINS NOZZLE HOLDER**  
 REPARACION PORTA INYECTOR CATERPILLAR/PERKINS


REFERENCE				
Nº	ROBIEL CODE	REFERENCE	DESCRIPTION	PACK
1	623.26.10	-	Washer - Arandela	01un.
2	421.01.426	-	O-ring - Anillo	01un.
3	421.02.417	-	O-ring - Anillo	01un.



**SPARE PARTS**  
Repuestos

Nº	ROBIEL CODE	REFERENCE	DESCRIPTION	PACK
4A	607.14.20	MN155904	Washer - Copper 7.00 X 13.70 X 2.00mm Arandela de Cobre	48un
4B	607.14.10	-	Washer - Copper 7.00 X 13.70 X 1.00mm Arandela de Cobre	48un
5	VC6.10.0062	32F61-00062	Control Valve - Common Rail Caterpillar Injector Valvula de Control Inyector Common Rail Caterpillar	01un
9A	220.03.08	F 00R J02 537   F 00R J03 561 6.000.900.262	Protective Cap - Injectors / Units Nozzle - 7.00mm Tapa Protectora p/ Tobera Inyectores / Unidades - 7.00mm	01kit
9B	220.03.09	F 00H 410 849   F 002 C88 080 6.000.900.076	Protective Cap - Injectors / Units Nozzle - 9.00mm Tapa Protectora p/ Tobera Inyectores / Unidades - 9.00mm	01kit

**4A**  Thickness: 2.00 mm  


**4B**  Thickness: 1.00 mm  


**5**   

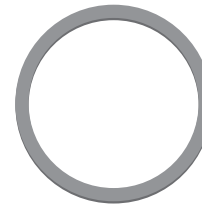

**9A**   


**9B**   


**6 SHIM - NOZZLE/COIL CAT INJECTOR**  
 CALZO TOBERA/BOBINA INYECTOR CAT   
 Ø Ext. Diameter: 6.60mm

ROBIEL CODE	REFERENCE	THICKNESS(mm)
800.07.218	-	2.18
800.07.220	-	2.20
800.07.222	-	2.22
800.07.224	-	2.24
800.07.226	-	2.26
800.07.228	-	2.28
800.07.230	-	2.30
800.07.232	-	2.32

**08 UNITS**



**7 SHIM - CAT INJECTOR INDUCTION ADJUSTMENT**  
 CALZO DE AJUSTE INDUCTANCIA INYECTOR CAT   
 22.5 x 26.0mm

ROBIEL CODE	REFERENCE	THICKNESS(mm)
822.26.228	-	2.28
822.26.230	-	2.30
822.26.232	-	2.32
822.26.234	-	2.34
822.26.236	-	2.36
822.26.238	-	2.38

**08 UNITS**

8A SHIM - NOZZLE/COIL - CAT INJECTOR CALZO TOBERA/BOBINA INYECTOR CAT		
INOX - Ø Ext. Diamiter: 6.60mm		
ROBIEL CODE	REFERENCE	THICKNESS(mm)
800.07.140	-	1.40
800.07.142	-	1.42
800.07.144	-	1.44
800.07.146	-	1.46
800.07.148	-	1.48
800.07.150	-	1.50
800.07.152	-	1.52
800.07.154	-	1.54
800.07.156	-	1.56
800.07.158	-	1.58
800.07.160	-	1.60
<b>08 UNITS</b>		

8B SHIM - NOZZLE/COIL - CAT INJECTOR LOW NEEDLE CALZO TOBERA/BOBINA INYECTOR CAT - AGUJA BAJA		
INOX - Ø Ext. Diamiter: 6.60mm		
ROBIEL CODE	REFERENCE	THICKNESS(mm)
800.07.206	-	2.06
800.07.208	-	2.08
800.07.210	-	2.10
800.07.212	-	2.12
800.07.214	-	2.14
800.07.216	-	2.16
800.07.218	-	2.18
800.07.220	-	2.20
800.07.222	-	2.22
800.07.224	-	2.24
800.07.226	-	2.26
800.07.228	-	2.28
800.07.230	-	2.30
800.07.232	-	2.32
800.07.234	-	2.34
800.07.236	-	2.36
800.07.238	-	2.38
<b>08 UNITS</b>		

415.01.01 SHIM SET - CAT C4/C6 INJECTOR AND PUMP JUEGO CALZOS REPARACION INYECTOR E BOMBA CAT C4/C6			
ROBIEL CODE	DESCRIPTION	THICKNESS(mm)	UNITS BY MEASURE
800.07.140 - 800.07.230	Shim - Nozzle/Coil - Calzo Tobera/Bobina	1.40 to 2.30	12 units
822.26.228 - 822.26.238	Shim - Induction Adjustment - Calzo Inductancia	2.28 to 2.38	12 units
803.07.125 - 803.07.15	Pump Coil Shim - Calzo de la Bobina de la Bomba	1.25 to 1.50	12 units
803.09.165 - 803.09.20	Pump Coil Shim - Calzo de la Bobina de la Bomba	1.65 to 2.00	12 units
<b>528 UNITS</b>			



USE YOUR SMARTPHONE CAMERA TO SCAN THE QR CODE AND ACCESS MORE TECHNICAL INFORMATION FROM OUR PRODUCTS IN **ROBIEL** APP.

USE LA CÁMARA DE SU TELÉFONO PARA ESCANEAR EL CÓDIGO QR Y OBTENER MÁS INFORMACIONES TÉCNICAS SOBRE LOS PRODUCTOS EN NUESTRA APLICACIÓN **ROBIEL**.

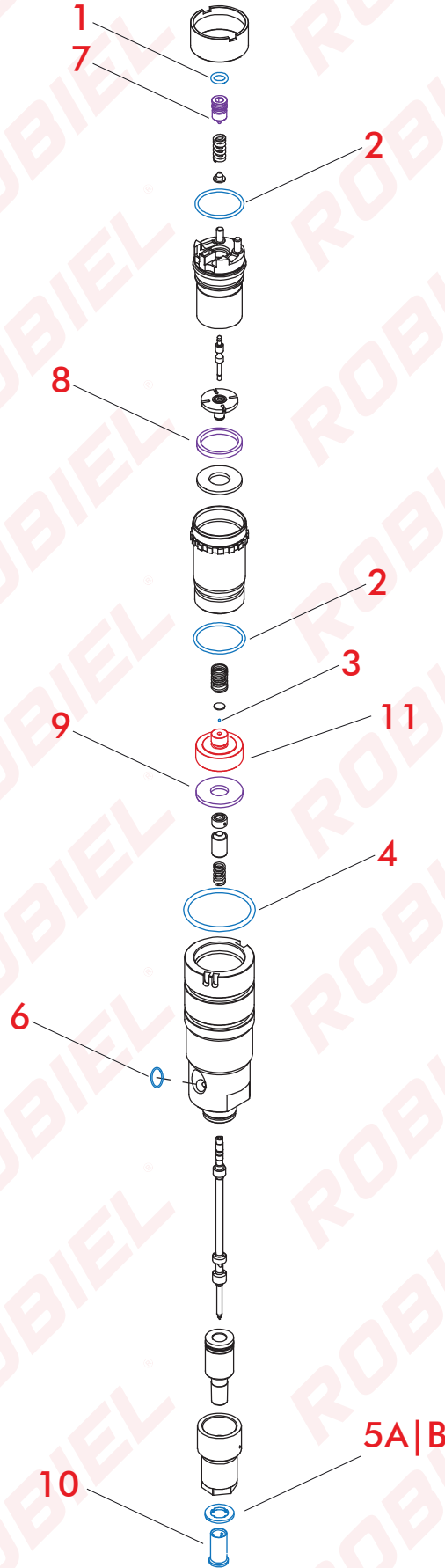
**DOWNLOAD OUR NEW APP**  
DESCARGUE NUESTRA NUEVA APLICACIÓN



## CUMMINS XPI INJECTORS

INYECTORES CUMMINS XPI

SCANIA D9 XPI | D13 XPI | D16 XPI  
DC13 XPI CUMMINS ISX 15



INJECTORS
1881564
2031836
2086663
2872405

<b>410.32.211</b>		<b>COMPLETE REPAIR PARTS - ISX15 XPI</b>		
		<i>REPARACION COMPLETA ISX15 XPI</i>		
REFERENCE		1932820   1933246		
Nº	ROBIEL CODE	REFERENCE	DESCRIPTION	PACK
1	421.06.178	-	O-ring - Anillo	01 un.
2	421.23.518	-	O-ring - Anillo	01 un.
3	190.52.01	-	Ceramic Ball - Bolilla Ceramica	01 un.
4	421.35.626	-	O-ring - Anillo	01 un.
5A	609.16.15	-	Copper Washer - Arandela de cobre	01 un.
6	421.12.262	-	O-ring - Anillo	01 un.
10	220.03.08	F 00H 410 849   F 002 C88 080 6.000.900.076	Protective Cap - Tapa Protectora p/ Tobera	01 un.



<b>410.32.212</b>		<b>COMPLETE REPAIR PARTS - ISX15 XPI</b>		
		<i>REPARACION COMPLETA ISX15 XPI</i>		
REFERENCE		-		
Nº	ROBIEL CODE	REFERENCE	DESCRIPTION	PACK
1	421.06.178	-	O-ring - Anillo	01 un.
2	421.23.518	-	O-ring - Anillo	01 un.
3	190.52.01	-	Ceramic Ball - Bolilla Ceramica	01 un.
4	421.35.626	-	O-ring - Anillo	01 un.
5B	600.03.05	-	Nozzle Holder - Manguito de Sellado de la Tobera	01 un.
6	421.12.262	-	O-ring - Anillo	01 un.

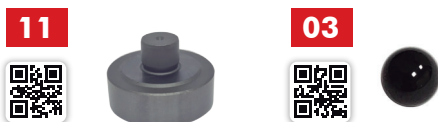


<b>410.32.820</b>		<b>EXTERNAL REPAIR PARTS - ISX15 XPI</b>		
		<i>REPARACION EXTERNA ISX15 XPI</i>		
REFERENCE		1932820		
Nº	ROBIEL CODE	REFERENCE	DESCRIPTION	PACK
4	421.35.626	-	O-ring - Anillo	01 un.
5A	609.16.15	-	Washer - Arandela	01 un.
6	421.12.262	-	O-ring - Anillo	01 un.
10	220.03.08	F 00H 410 849   F 002 C88 080 6.000.900.076	Protective Cap - Tapa Protectora p/ Tobera	01 un.



**SPARE PARTS**  
Repuestos

Nº	ROBIEL CODE	REFERENCE	DESCRIPTION	PACK
11	340.16.03	-	VALVE - CUMMINS ISX15 XPI INJECTOR <i>VALVULA DEL INYECTOR CUMMINS ISX15 XPI</i>	01 un.
03	190.52.01	-	Ceramic Ball <i>Bolilla Ceramica</i>	01 un.



<b>7</b> SCANIA XPI BALL STROKE PLUG CUMMINS ISX15 / ISL / FOTON <small>BUJE DEL CURSO DE ESFERA SCANIA XPI / CUMMINS ISX15 / ISL / FOTON</small>		
ROBIEL CODE	REFERENCE	THICKNESS(mm)
165.07.560	-	5.60
165.07.570	-	5.70
165.07.580	-	5.80
165.07.590	-	5.90
165.07.600	-	6.00
165.07.610	-	6.10
165.07.620	-	6.20
165.07.630	-	6.30
<b>01 UNIT</b>		

<b>8</b> SOLENOID SHIM INJECTOR ISX / ISL / FOTON <small>ARANDELA DEL SOLENOIDE INYECTORES ISX / ISL / FOTON</small>		
ROBIEL CODE	REFERENCE	THICKNESS(mm)
821.82.290	-	2.90
821.82.292	-	2.92
821.82.294	-	2.94
821.82.296	-	2.96
821.82.298	-	2.98
821.82.300	-	3.00
821.82.302	-	3.02
821.82.304	-	3.04
821.82.306	-	3.06
821.82.308	-	3.08
821.82.310	-	3.10
821.82.312	-	3.12
821.82.314	-	3.14
821.82.316	-	3.16
821.82.318	-	3.18
821.82.320	-	3.20
<b>06 UNITS</b>		

<b>9</b> NOZZLE SHIM CUMMINS INJECTOR ISX15 <small>ARANDELA DE LA TOBERA INYECTOR CUMMINS ISX15</small>		
ROBIEL CODE	REFERENCE	THICKNESS(mm)
810.26.210	-	2.10
810.26.212	-	2.12
810.26.214	-	2.14
810.26.216	-	2.16
810.26.218	-	2.18
810.26.220	-	2.20
810.26.222	-	2.22
810.26.224	-	2.24
810.26.226	-	2.26
810.26.228	-	2.28
810.26.230	-	2.30
810.26.232	-	2.32
810.26.234	-	2.34
810.26.236	-	2.36
810.26.238	-	2.38
810.26.240	-	2.40
<b>06 UNITS</b>		



**324.19.018**  
 GRINDING TOOL TO XPI SUCTION  
 VALVE SEAT  
HERRAMIENTA RECTIFICAR ASIENTO VALV  
 ASPIRACION XPI



**324.20.018**  
 POLISHING TOOL TO XPI SUCTION  
 VALVE SEAT  
HERRAMIENTA ACABAMIENTO ASIENTO VALV  
 ASPIRACION XPI



**324.19.0181**  
 TIP FOR GRINDING TOOL TO XPI  
 SUCTION VALVE SEAT  
PUNTERA RECTIFICAR ASIENTO VALV ASP XPI



**324.20.0181**  
 TIP FOR POLISHING TOOL TO XPI  
 SUCTION VALVE SEAT  
PUNTERA ACABAMIENTO ASIENTO VALV ASP  
 XPI



**323.50.38**  
 TOOL SET - SCANIA AND CUMMINS  
 XPI/ ISX 15 / ISL / FOTON  
KIT DE REPARACION INYECTORES  
 SCANIA/CUMMINS XPI / ISX 15/ ISL/ FOTON



**323.01.3241**  
 ROTATING VISE W/ INDEXER PIN  
MORSA GIRATORIA CON PIN INDEX



**324.15.01**  
 INJECTORS REPAIR BRACKET  
SOPORTE PARA REPARACION DE  
 INYECTORES

USE YOUR SMARTPHONE CAMERA TO SCAN THE QR CODE AND ACCESS MORE **TECHNICAL INFORMATION** FROM OUR PRODUCTS IN **ROBIEL** APP.

USE LA CÁMARA DE SU TELÉFONO PARA ESCANEAR EL CÓDIGO QR Y OBTENER MÁS **INFORMACIONES TÉCNICAS** SOBRE LOS PRODUCTOS EN NUESTRA APLICACIÓN **ROBIEL**.

**DOWNLOAD OUR NEW APP**  
DESCARGUE NUESTRA NUEVA APLICACIÓN



## CUMMINS ISL INJECTORS

INYECTORES CUMMINS ISL

SCANIA

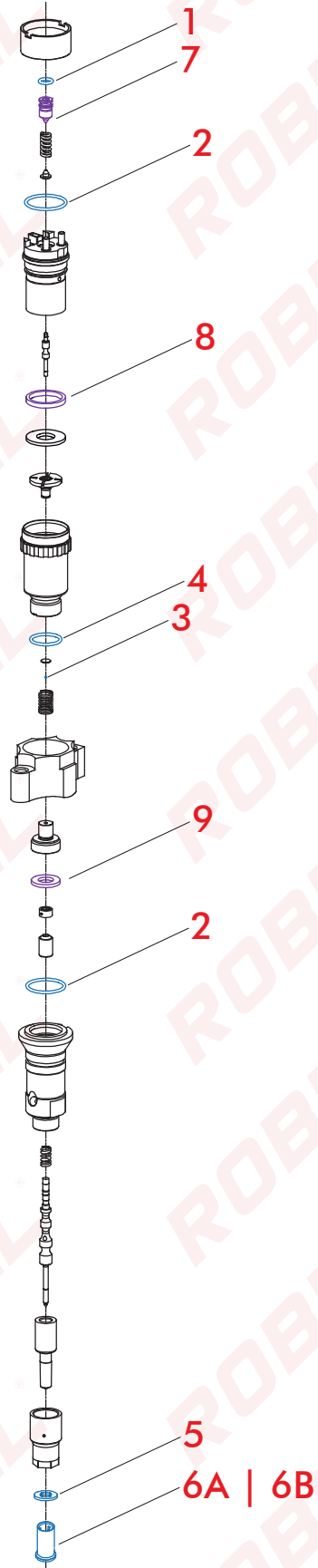
**INJECTORS**

2872127

4954927

4984332

4954679



**410.32.127**

**COMPLETE REPAIR PARTS CUMMINS ISC/ISL/QSL/QSC**  
REPARACION COMPLETA CUMMINS ISC/ISL/QSL/QSC

REFERENCE				
Nº	ROBIEL CODE	REFERENCE	DESCRIPTION	PACK
1	421.06.178	-	O-ring - Anillo	01un.
2	421.22.178	-	O-ring - Anillo	01un.
3	190.52.01	-	Ceramic Ball - Bolilla Ceramica	01un.
4	421.01.717	-	O-ring - Anillo	01un.
5	600.02.07	F 00V C17 503	Washer - Arandela	01un.
6A	220.03.08	F 00R J02 537   F 00R J03 561 6.000.900.262	Protective Cap - Tapa Protectora	01un.



**SPARE PARTS**  
Repuestos

Nº	ROBIEL CODE	REFERENCE	DESCRIPTION	PACK
5	600.02.07	F 00V C17 503	PROFILE WASHER - COPPER - 7.00X15.00X1.50MM ARANDELA PERFIL COBRE 7.00X15.00X1.50MM	24un.
6A	220.03.08	F 00R J02 537   F 00R J03 561 6.000.900.262	PROTECTIVE CAP - INJECTOR NOZZLE 7.00 MM TAPA PROTECTORA P/ TOBERA INY 7.00 MM	01 kit.
6B	220.03.09	F 00H 410 849   F 002 C88 080 6.000.900.076	PROTECTIVE CAP - INJECTOR NOZZLE 9.00 MM TAPA PROTECTORA P/ TOBERA INY 9.00 MM	01 kit.



7

**SCANIA XPI BALL STROKE PLUG**  
**CUMMINS ISX15 / ISL / FOTON**

BUJE DEL CURSO DE ESFERA SCANIA XPI / CUMMINS ISX15 / ISL / FOTON



ROBIEL CODE	REFERENCE	THICKNESS(mm)
165.07.620	-	6.20
165.07.630	-	6.30

01 UNIT

8

**SOLENOID SHIM INJECTOR**  
**ISX / ISL / FOTON**

ARANDELA DEL SOLENOIDE INYECTORES ISX / ISL / FOTON



ROBIEL CODE	REFERENCE	THICKNESS(mm)
821.82.290	-	2.90
821.82.292	-	2.92
821.82.294	-	2.94
821.82.296	-	2.96
821.82.298	-	2.98
821.82.300	-	3.00
821.82.302	-	3.02
821.82.304	-	3.04
821.82.306	-	3.06
821.82.308	-	3.08
821.82.310	-	3.10
821.82.312	-	3.12
821.82.314	-	3.14
821.82.316	-	3.16
821.82.318	-	3.18
821.82.320	-	3.20

06 UNITS

9

**NOZZLE SHIM CUMMINS INJECTOR**

ARANDELA DE LA TOBERA CUMMINS ISL



ROBIEL CODE	REFERENCE	THICKNESS(mm)
818.91.0190	-	1.90
818.91.0192	-	1.92
818.91.0194	-	1.94
818.91.0196	-	1.96
818.91.0198	-	1.98
818.91.0200	-	2.00
818.91.0202	-	2.02
818.91.0204	-	2.04
818.91.0206	-	2.06
818.91.0208	-	2.08
818.91.0210	-	2.10
818.91.0212	-	2.12
818.91.0214	-	2.14
818.91.0216	-	2.16
818.91.0218	-	2.18
818.91.0220	-	2.20

06 UNITS



**323.50.38**

TOOL SET - SCANIA AND CUMMINS  
XPI / ISX 15 / ISL / FOTON  
KIT DE REPARACIÓN INYECTORES  
SCANIA/CUMMINS XPI / ISX 15 / ISL / FOTON



USE YOUR SMARTPHONE CAMERA TO SCAN THE QR CODE AND ACCESS MORE **TECHNICAL INFORMATION** FROM OUR PRODUCTS IN **ROBIEL** APP.

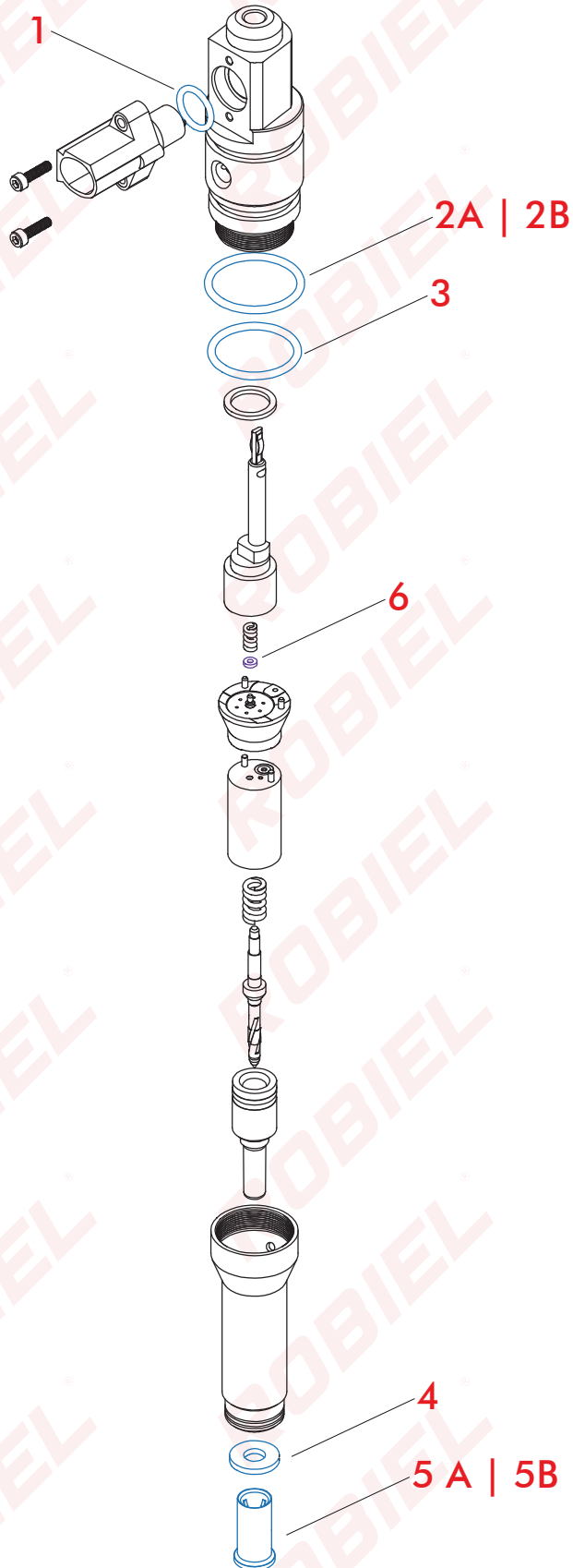
USE LA CÁMARA DE SU TELÉFONO PARA ESCANEAR EL **CÓDIGO QR** Y OBTENER MÁS **INFORMACIONES TÉCNICAS** SOBRE LOS PRODUCTOS EN NUESTRA APLICACIÓN **ROBIEL**.

**DOWNLOAD OUR NEW APP**  
DESCARGUE NUESTRA NUEVA APLICACIÓN



## DAF MX13 INJECTORS

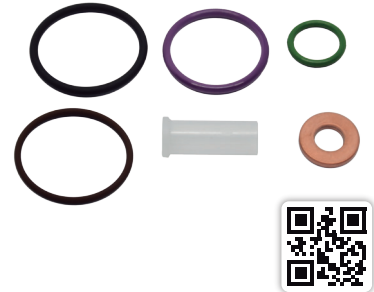
INYECTORES DAF MX13





**410.12.900 REPAIR PARTS - DAF MX13 INJECTOR**  
 REPARACION INYECTOR DAF MX13

REFERENCE		182-5900   213-5457		
Nº	ROBIEL CODE	REFERENCE	DESCRIPTION	PACK
1	421.01.220	-	O-ring - Anillo	01un.
2A	421.27.200	182-5900	O-ring - Anillo	01un.
2B	421.27.250	213-5457	O-ring - Anillo	01un.
3	421.24.250	-	O-ring - Anillo	01un.
4	807.16.25	-	Washer - Arandela	01un.
5A	220.03.08	-	Protective Cap - Tapa Protectora	01un.



**SPARE PARTS**  
Repuestos

Nº	ROBIEL CODE	REFERENCE	DESCRIPTION	PACK
5A	220.03.08	F 00R J02 537   F 00R J03 561 6.000.900.262	PROTECTIVE CAP - INJECTOR NOZZLE 7.00 MM TAPA PROTECTORA P/ TOBERA INY 7.00 MM	01 kit.
5B	220.03.09	F 00H 410 849   F 002 C88 080 6.000.900.076	PROTECTIVE CAP - INJECTOR NOZZLE 9.00 MM TAPA PROTECTORA P/ TOBERA INY 9.00 MM	01 kit.



**6 SHIM - COIL DAF INJECTOR**  
 CALZO BOBINA INYECTOR DAF  
 Ø Interno: 1.90 Ø Externo: 4.40

ROBIEL CODE	REFERENCE	THICKNESS(mm)
801.05.120	-	1.20
801.05.125	-	1.25
801.05.130	-	1.30
801.05.135	-	1.35
801.05.140	-	1.40
801.05.145	-	1.45
801.05.150	-	1.50
801.05.155	-	1.55
801.05.160	-	1.60
801.05.165	-	1.65
801.05.170	-	1.70

12 UNITS

**323.50.41**  
 TOOL SET - DAF INJECTORS / UNIT  
 PUMP  
 JUEGO DE REPARACIÓN INYECTOR Y  
 UNIDAD DAF

USE YOUR SMARTPHONE CAMERA TO SCAN THE QR CODE AND ACCESS MORE **TECHNICAL INFORMATION** FROM OUR PRODUCTS IN **ROBIEL**' APP.

USE LA CÁMARA DE SU TELÉFONO PARA ESCANEAR EL CÓDIGO QR Y OBTENER MÁS **INFORMACIONES TÉCNICAS** SOBRE LOS PRODUCTOS EN NUESTRA APLICACIÓN **ROBIEL**.

**DOWNLOAD OUR NEW APP**  
DESCARGUE NUESTRA NUEVA APLICACIÓN



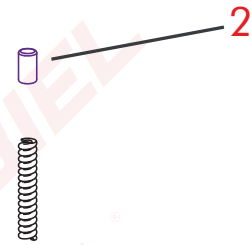
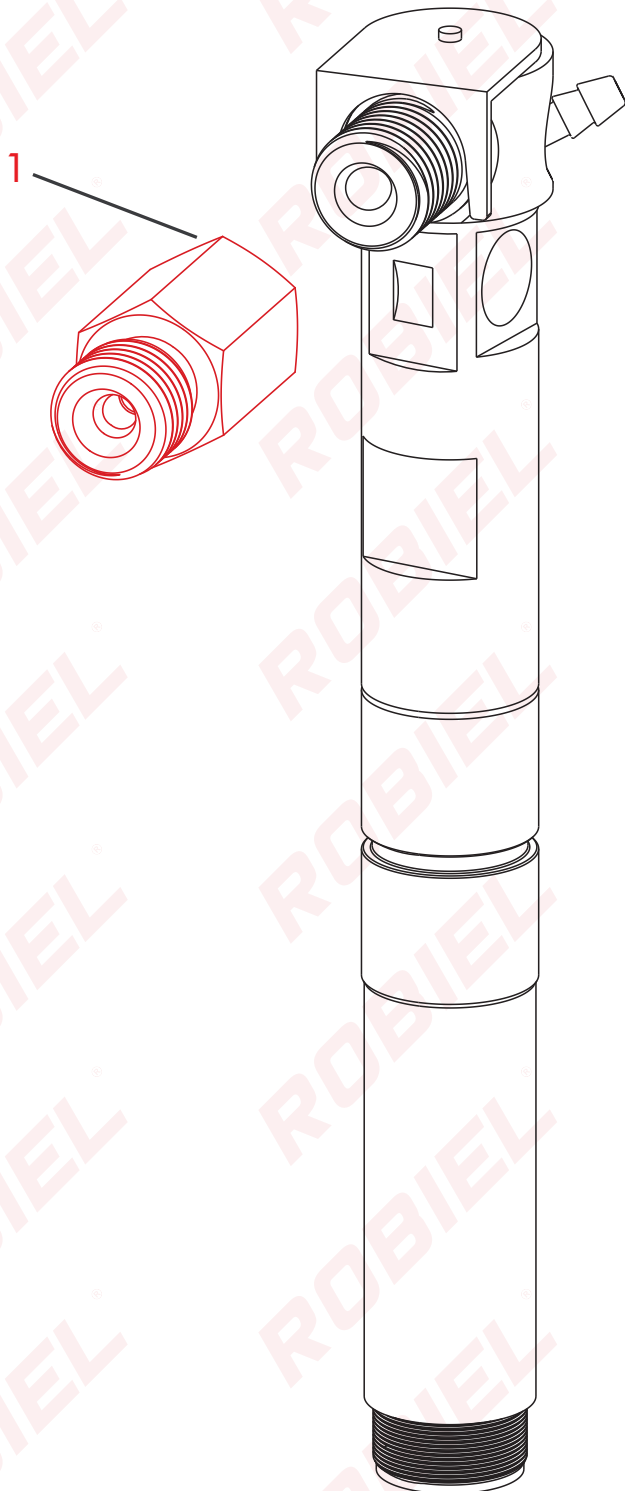
## DELPHI INJECTORS

INYECTORES DELPHI

HR  
H100  
Sprinter  
Kia Bongo

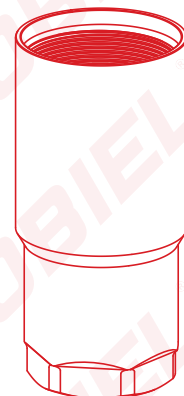
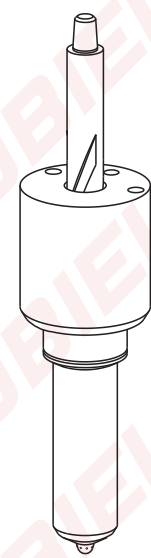
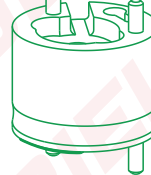
INJECTOR CODE

28229873



**BONALLI**

\*See on page 56



SPARE PARTS Repuestos				
Nº	ROBIEL CODE	REFERENCE	DESCRIPTION	PACK
<b>1</b>	165.02.15	Injetores c/ Caneta	Connection W/Filter - Delphi/Bosch M14 CR Injector <i>Conexion C/ Filtro p/ Inyector CR Delphi/Bosch</i>	<b>01un</b>
<b>3A</b>	220.03.08	F 00R J02 537   F 00R J03 561 6.000.900.262	Protective Cap - Injectors / Units Nozzle - 7.00mm <i>Tapa Protectora p/ Tobera Inyectores / Unidades - 7.00mm</i>	<b>01kit</b>
<b>3B</b>	220.03.09	F 00H 410 849   F 002 C88 080 6.000.900.076	Protective Cap - Injectors / Units Nozzle - 9.00mm <i>Tapa Protectora p/ Tobera Inyectores / Unidades - 9.00mm</i>	<b>01kit</b>
<b>4</b>	607.14.20	MN155904	Washer - Copper 7.00 X 14.00 X 2.00mm <i>Arandela de Cobre</i>	<b>48un</b>
<b>5A</b>	315.06.59	28229873	Nozzle Nut Retaining - Delphi Kia Bongo <i>Tapa de la Tobera Delphi Kia Bongo</i>	<b>01un</b>
<b>5B</b>	315.06.63	-	Nozzle Nut Injector Delphi - MBB Sprinter <i>Puerca de la Tobera Inyector Delphi - MBB Sprinter</i>	<b>01un</b>

**1**  Thread: M14 X 1.50mm  
Used in Injectors w/ Stick  
*Utilizado en inyectores con Caneta/baston*



**3A** 



**3B** 



**4**  Thickness: 2.00 mm



**5A** 



**5B** 



2	SHIM - DELPHI INJECTORS DEBT ADJUSTING CALZO REGULACION DEB. INYECTORS DELPHI		
	ROBIEL CODE	APLICAÇÃO	THICKNESS(mm)
	800.20.5260	HR   SPRINTER	2.60
	800.20.5265	HR   SPRINTER	2.65
	800.20.5270	HR   SPRINTER	2.70
	800.20.5275	HR   SPRINTER	2.75
	800.20.5280	HR   SPRINTER	2.80
	800.20.5285	HR   SPRINTER	2.85
	800.20.5290	HR   SPRINTER	2.90
	800.20.5295	HR   SPRINTER	2.95
	800.20.5300	HR   SPRINTER	3.00
	800.20.5365	HR   SPRINTER	3.65
	800.20.5370	HR   SPRINTER	3.70
	800.20.5375	HR   SPRINTER	2.75
	800.20.5380	HR   SPRINTER	3.80
	800.20.5385	HR   SPRINTER	3.85
	800.20.5390	HR   SPRINTER	3.90
	800.20.5395	HR   SPRINTER	3.95
	800.20.5400	HR   SPRINTER	4.00
<b>06 UNITS</b>			



SPARE PARTS Repuestos				
Nº	ROBIEL CODE	REFERENCE	DESCRIPTION	PACK
<b>1</b>	165.02.15	Injetores c/ Caneta	Connection W/Filter - Delphi/Bosch M14 CR Injector <i>Conexion C/ Filtro p/ Inyector CR Delphi/Bosch</i>	<b>01un</b>
<b>3A</b>	220.03.08	F 00R J02 537   F 00R J03 561 6.000.900.262	Protective Cap - Injectors / Units Nozzle - 7.00mm <i>Tapa Protectora p/ Tobera Inyectores / Unidades - 7.00mm</i>	<b>01kit</b>
<b>3B</b>	220.03.09	F 00H 410 849   F 002 C88 080 6.000.900.076	Protective Cap - Injectors / Units Nozzle - 9.00mm <i>Tapa Protectora p/ Tobera Inyectores / Unidades - 9.00mm</i>	<b>01kit</b>
<b>4A</b>	600.02.07	F 00V C17 503 F 00R J01 453	Washer - Cummins Nozzle <i>Arandela de la Tobera Cummins</i>	<b>24un</b>
<b>4B</b>	600.02.08	F 00V C17 505 F 00R J01 086	Washer - MWM Nozzle <i>Arandela de la Tobera MWM</i>	<b>24un</b>
<b>5</b>	315.06.60	-	Nut - Nozzle-Retaining - JCB / Ssangyong <i>Tapa de la Tobera JCB / Ssangyong</i>	<b>01un</b>



**1**  
Thread: M14 X 1.50mm  
Used in Injectors w/ Stick  
*Utilizado en inyectores con Caneta/baston*



**3**



**3B**



**4A**  
Thickness:: 1.50mm  
Ø EXT: 15.00mm



**4B**  
Thickness:: 2.00mm  
Ø EXT: 15.00mm



**5**

SHIM - DELPHI INJECTORS DEBT ADJUSTING CALZO REGULACION DEB. INYECTORS DELPHI		
Ø Ext.: 2.00		
ROBIEL CODE	REFERENCE	THICKNESS(mm)
800.20.5360	-	3.60
800.20.5365	-	3.65
800.20.5370	-	3.70
800.20.5375	-	3.75
800.20.5380	-	3.80
800.20.5385	-	3.85
800.20.5390	-	3.90
800.20.5395	-	3.95
800.20.5400	-	4.00
<b>06 UNITS</b>		

USE YOUR SMARTPHONE CAMERA TO SCAN THE QR CODE AND ACCESS MORE **TECHNICAL INFORMATION** FROM OUR PRODUCTS IN **ROBIEL** APP.

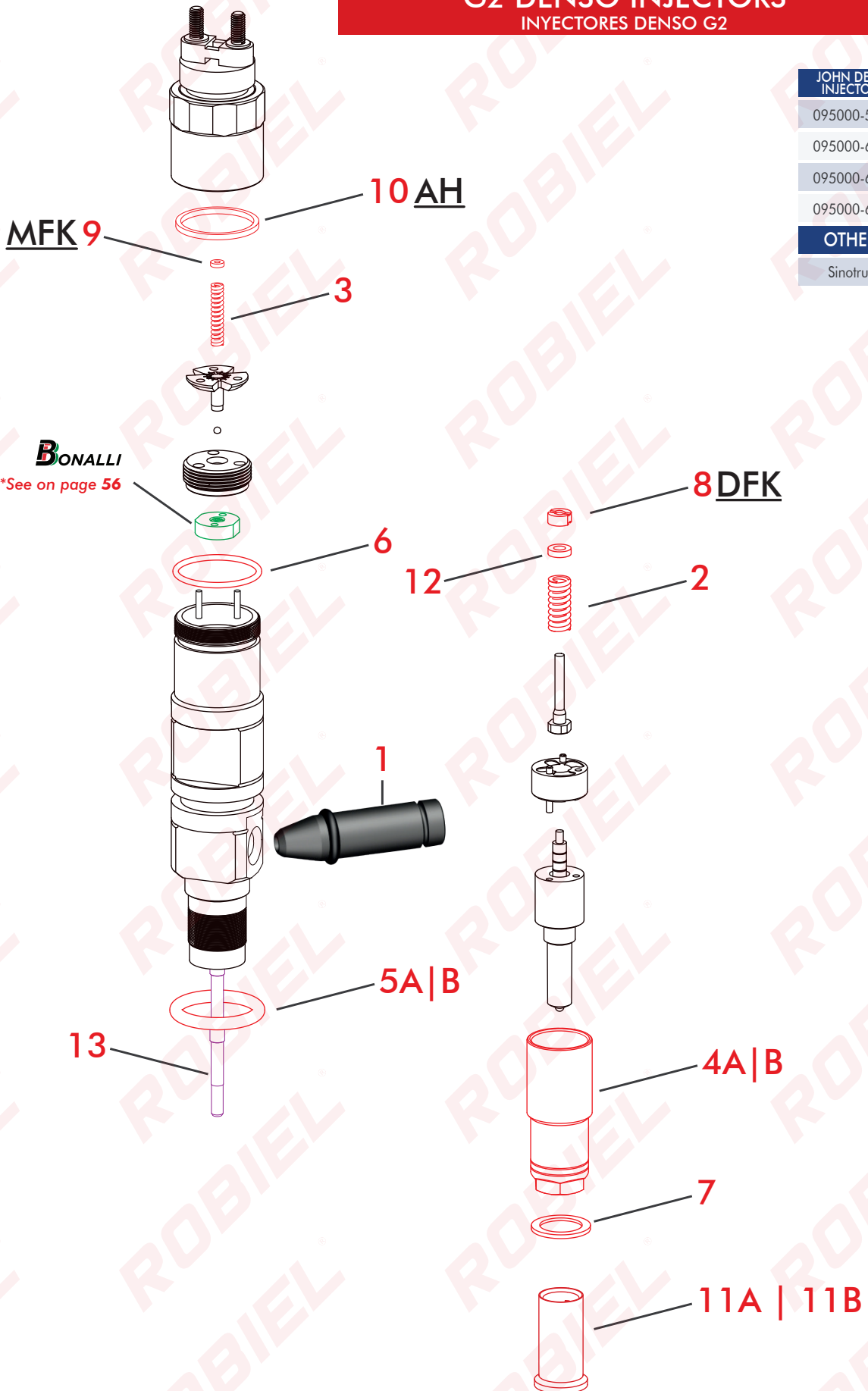
USE LA CÁMARA DE SU TELÉFONO PARA ESCANEAR EL **CÓDIGO QR** Y OBTENER MÁS **INFORMACIONES TÉCNICAS** SOBRE LOS PRODUCTOS EN NUESTRA APLICACIÓN **ROBIEL**.

**DOWNLOAD OUR NEW APP**  
DESCARGUE NUESTRA NUEVA APLICACIÓN



## G2 DENSO INJECTORS

### INYECTORES DENSO G2



**JOHN DEERE INJECTORS**

095000-5190

095000-6480

095000-6481

095000-6482

**OTHERS**

Sinotruck

**410.70.461 REPAIR PARTS - JOHN DEERE 9.0L**  
REPARACION INYECTOR JOHN DEERE 9.0L

REFERENCE 095000-6460

ROBIEL CODE	REFERENCE	DESCRIPTION	PACK
421.00.926	-	O-ring - Anillo	01un
421.02.035	-	O-ring - Anillo	01un
421.02.318	-	O-ring - Anillo	01un
807.13.20	-	Washer - Arandela	01un
220.03.08	-	Protective Cap - Tapa Protectora	01un



**410.70.151 REPAIR PARTS - JOHN DEERE 8.1L - HPCR**  
REPARACION INYECTOR JOHN DEERE 8.1L - HPCR

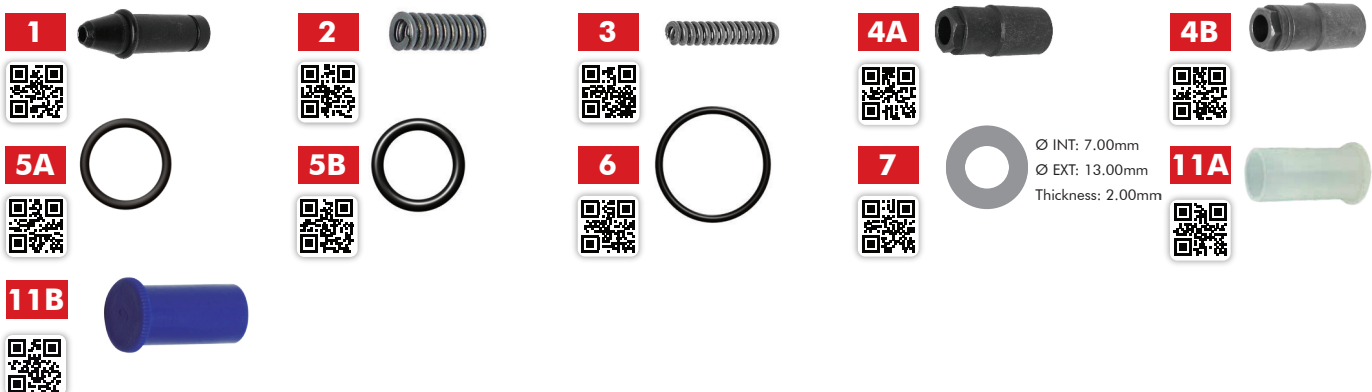
REFERENCE 095000-5150 | 095000-7560 | RE524361 | RE518726 | SE501936 | RE501010

ROBIEL CODE	REFERENCE	DESCRIPTION	PACK
421.00.926	-	O-ring - Anillo	01un
421.02.020	-	O-ring - Anillo	01un
421.02.318	-	O-ring - Anillo	01un
807.13.20	-	Washer - Arandela	01un
220.03.08	-	Protective Cap - Tapa Protectora	01un




**SPARE PARTS**  
Repuestos


Nº	ROBIEL CODE	REFERENCE	DESCRIPTION	PACK
1	165.03.06	-	Connection - Denso 5190 John Deere Injector Input <i>Conexion Entrada Inyector Denso 5190 John Deere</i>	01un
2	225.01.38	-	Spring - Denso John Deere Injector Nozzle <i>Resorte de la Tobera Inyector Denso John Deere</i>	06un
3	225.01.39	-	Spring - Denso John Deere / Hilux Solenoide <i>Resorte del Solenoide Denso John Deere / Hilux</i>	06un
4A	315.06.54	-	Nut - Nozzle-Retaining Denso John Deere <i>Tapa de la Tobera Del Inyector Denso John Deere</i>	04un
4B	315.06.34	-	Nut - Nozzle-Retaining Denso John Deere 6480/81/82 <i>Tapa de la Tobera Del Inyector Denso John Deere 6480/81/82</i>	06un
5A	421.02.020	-	O-ring - Denso Injector 095000-5190 <i>Anillo Inyector Denso 095000-5190</i>	12un
5B	421.02.035	-	O-ring - Denso Injector 095000-6480 / 81 / 82 <i>Anillo Inyector Denso 095000-6480 / 81 / 82</i>	06un
6	421.02.318	-	O-ring - Denso Injector - Solenoide <i>Anillo Solenoide Inyector Denso</i>	12un
7	807.13.20	-	Washer - Denso Nozzle <i>Arandela de la Tobera Denso</i>	48un
11A	220.03.08	F 00R J02 537   F 00R J03 561 6.000.900.262	Protective Cap - Injectors / Units Nozzle - 7.00mm <i>Tapa Protectora p/ Tobera Inyectores / Unidades - 7.00mm</i>	01kit
11B	220.03.09	F 00H 410 849   F 002 C88 080 6.000.900.076	Protective Cap - Injectors / Units Nozzle - 9.00mm <i>Tapa Protectora p/ Tobera Inyectores / Unidades - 9.00mm</i>	01kit




Ø INT: 7.00mm  
Ø EXT: 13.00mm  
Thickness: 2.00mm

**8** SHIM - DENSO JOHN DEERE INJECTORS (DFK)  
CALZO DEL INYECTOR DENSO JOHN DEERE 


ROBIEL CODE	REFERENCE	THICKNESS(mm)
800.00.290	-	2.90
800.00.295	-	2.95
800.00.300	-	3.00
800.00.305	-	3.05
800.00.310	-	3.10
<b>12 UNITS</b>		

**9** SHIM - PRE-INJECTION - DENSO INJECTOR (MFK)  
CALZO PRE INYECCION INYECTOR DENSO   
Ø Int.: 1.80 Ø Ext.: 4.00

ROBIEL CODE	REFERENCE	THICKNESS(mm)
801.04.11	-	1.10
801.04.115	-	1.15
801.04.12	-	1.20
801.04.125	-	1.25
801.04.13	-	1.30
801.04.135	-	1.35
801.04.14	-	1.40
801.04.145	-	1.45
801.04.15	-	1.50
<b>06 UNITS</b>		


**10** SHIM - DENSO 5190 INJECTOR SOLENOID (AH)  
CALZO SOLENOIDE INYECTOR DENSO 5190   
Ø Int.: 21.40 Ø Ext.: 24.30

ROBIEL CODE	THICKNESS(mm)	ROBIEL CODE	THICKNESS(mm)
821.24.150	1.50	821.24.161	1.61
821.24.151	1.51	821.24.162	1.62
821.24.152	1.52	821.24.163	1.63
821.24.153	1.53	821.24.164	1.64
821.24.154	1.54	821.24.165	1.65
821.24.155	1.55	821.24.166	1.66
821.24.156	1.56	821.24.167	1.67
821.24.157	1.57	821.24.168	1.68
821.24.158	1.58	821.24.169	1.69
821.24.159	1.59	821.24.170	1.70
821.24.160	1.60	<b>10 UNITS</b>	

**12** SHIM - INJECTOR SPRING  
CALZO DEL RESORTE   
Ø Int.: 3.50 Ø Ext.: 6.75


ROBIEL CODE	THICKNESS(mm)
804.06.130	1.30
804.06.135	1.35
804.06.140	1.40
804.06.145	1.45
804.06.150	1.50
804.06.155	1.55
804.06.160	1.60
804.06.165	1.65
804.06.170	1.70
<b>06 UNITS</b>	




**13** **ROD - DENSO INJECTOR - 5160**  
VASTAGO INYECTOR DENSO 5160   
Length 79.20mm

ROBIEL CODE	REFERENCE	THICKNESS(mm)
BID.01.4300	-	4.300
BID.01.4302	-	4.302
BID.01.4305	-	4.305


01 UNIT




**13** **ROD - DENSO INJECTOR - 6490**  
VASTAGO INYECTOR DENSO 6490   
Length 66.70mm

ROBIEL CODE	REFERENCE	THICKNESS(mm)
BID.02.4300	-	4.300
BID.02.4302	-	4.302
BID.02.4305	-	4.305


01 UNIT




**13** **ROD - DENSO INJECTOR - 23670-0L020 (HILUX 3.0)**  
VASTAGO INYECTOR DENSO 23670-0L020 (HILUX 3.0)   
Length 117.70mm

ROBIEL CODE	REFERENCE	THICKNESS(mm)
BID.03.4300	-	4.300
BID.03.4305	-	4.305


01 UNIT




**13** **ROD - DENSO INJECTOR - 16600-EB70A**  
VASTAGO INYECTOR DENSO 16600-EB70A  
(FRONTIER/TRANSIT)   
Length 125.85mm

ROBIEL CODE	REFERENCE	THICKNESS(mm)
BID.04.4300	-	4.300
BID.04.4305	-	4.305


01 UNIT




**13** **ROD - DENSO INJECTOR - 1465A054**  
VASTAGO INYECTOR DENSO 1465A054  
(TRITON)   
Length 125.90mm

ROBIEL CODE	REFERENCE	THICKNESS(mm)
BID.05.4300	-	4.300
BID.05.4305	-	4.305


01 UNIT




**13** **ROD - DENSO INJECTOR - 6700**  
VASTAGO INYECTOR DENSO 6700  
(SINOTRUCK)   
Length 77.50mm

ROBIEL CODE	REFERENCE	THICKNESS(mm)
BID.06.4300	-	4.300
BID.06.4305	-	4.305


01 UNIT



**13** **ROD - DENSO INJECTOR - 09500-631**  
VASTAGO INYECTOR DENSO 09500 - 631   
Length 57,35mm

ROBIEL CODE	REFERENCE	THICKNESS(mm)
BID.08.4300	-	4.300
BID.08.4302	-	4.302
BID.08.4305	-	4.305

01 UNIT




**324.44.001**  
Grinding Tool to Denso Rod  
Housing  
Herramienta Rectificar Alojamiento  
Baston Denso  
Ø 4.300mm 



**324.44.002**  
Grinding Tool to Denso Rod  
Housing  
Herramienta Rectificar Alojamiento  
Baston Denso  
Ø 4.305mm 

USE YOUR SMARTPHONE CAMERA TO SCAN THE QR CODE AND ACCESS MORE TECHNICAL INFORMATION FROM OUR PRODUCTS IN **ROBIEL** APP.

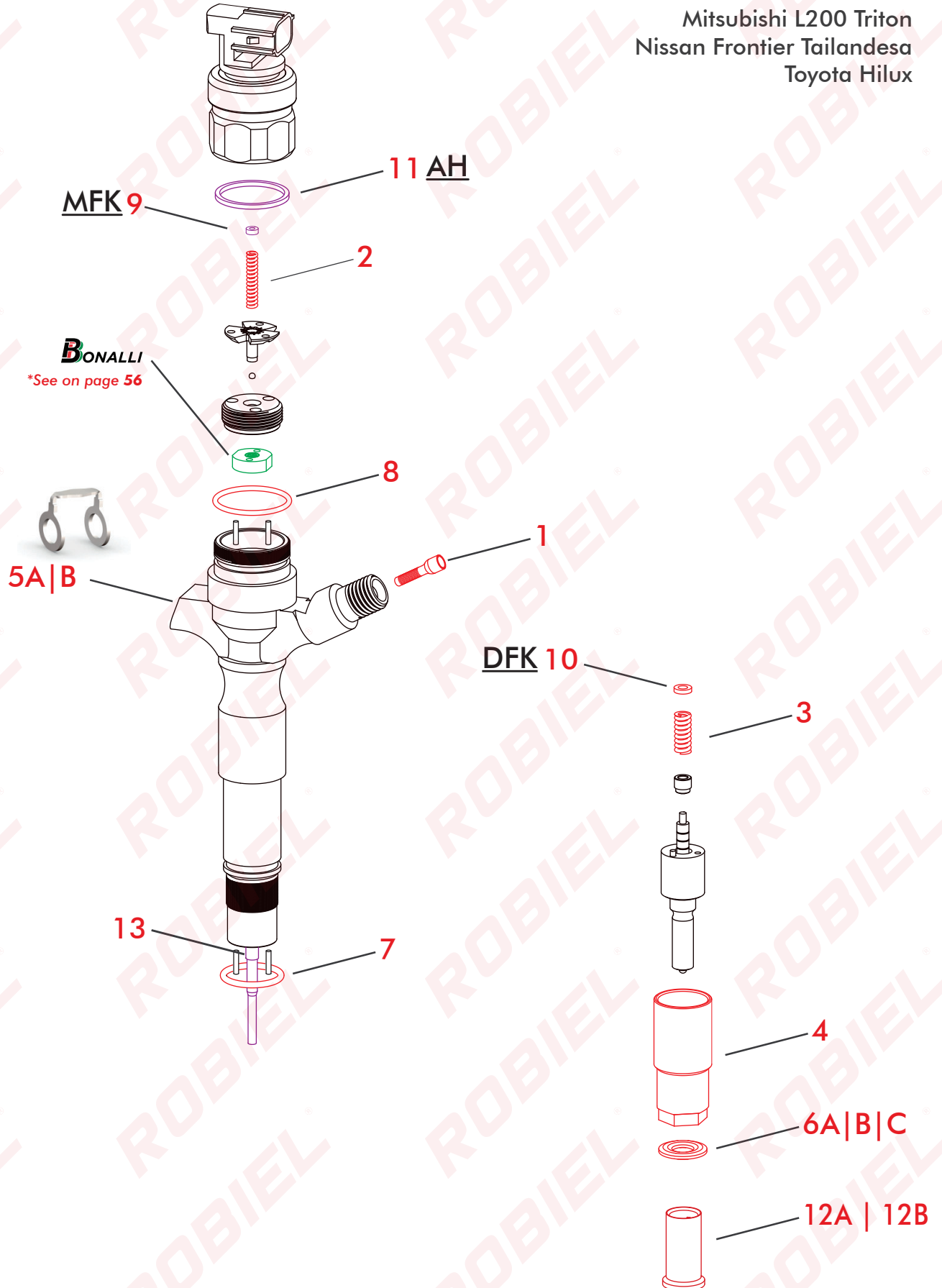
USE LA CÁMARA DE SU TELÉFONO PARA ESCANEAR EL CÓDIGO QR Y OBTENER MÁS INFORMACIONES TÉCNICAS SOBRE LOS PRODUCTOS EN NUESTRA APLICACIÓN **ROBIEL**.

DOWNLOAD OUR NEW APP  
DESCARGUE NUESTRA NUEVA APLICACIÓN



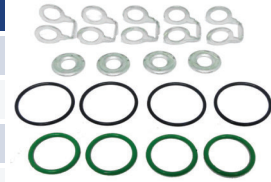
**G2 | G3 DENSO INJECTORS**  
INYECTORES DENSO G2 | G3

Mitsubishi L200 Triton  
Nissan Frontier Tailandesa  
Toyota Hilux



**410.00.35 REPAIR SET - DENSO/HILUX INJECTOR**  
REPARACION INYECTOR DENSO HILUX

REFERENCE				
Nº	ROBIEL CODE	REFERENCE	DESCRIPTION	PACK
5A	602.08.13	-	Washer Double - Arandela Doble	05un.
6B	608.16.19	-	Washer - Arandela	04un.
7	421.01.720	-	O-ring - Anillo	04un.
8	421.02.318	-	O-ring - Anillo	04un.



**410.00.36 REPAIR SET - DENSO/NISSAN FRONTIER INJECTOR**  
REPARACION INYECTOR DENSO NISSAN FRONTIER

REFERENCE				
Nº	ROBIEL CODE	REFERENCE	DESCRIPTION	PACK
5B	602.08.14	-	Washer Double - Arandela Doble	05un.
6A	607.14.20	-	Washer - Arandela	04un.
7	421.01.720	-	O-ring - Anillo	04un.
8	421.02.318	-	O-ring - Anillo	04un.



**SPARE PARTS**  
Repuestos

Nº	ROBIEL CODE	REFERENCE	DESCRIPTION	PACK
1	200.02.01	093152-0320	Filter - Denso Injector <i>Filtro del Inyector Denso</i>	04un.
2	225.01.39	-	Spring - Denso John Deere / Hilux Solenoide <i>Resorte del Solenoide Denso John Deere / Hilux</i>	06un.
3	225.01.40	-	Spring - Denso Hilux Injector Nozzle Shim <i>Resorte del Calzo de la Tobera inyector Denso Hilux</i>	06un.
4	315.06.54	0 950 810 760	Nut - Nozzle-Retaining Denso John Deere <i>Tapa de la Tobera Del Inyector Denso John Deere</i>	04un.
5A	602.08.13	-	Washer - Double - Hilux <i>Arandela Doble Hilux</i>	08un.
5B	602.08.14	16635-84800	Washer - Double - Nissan Frontier <i>Arandela Doble Nissan Frontier</i>	04un.
6A	607.14.20	MN155904	Washer - L200 Triton Nozzle <i>Arandela de la Tobera L200 Triton</i>	48un.
6B	608.16.19	-	Washer - Hilux 3.0 Nozzle <i>Arandela de la Tobera Hilux 3.0</i>	48un.
6C	608.16.30	From 2016	Washer - Hilux 2.8 Nozzle <i>Arandela de la Tobera Hilux 3.0</i>	12un.
7	421.01.720	F 00R OPO 397	O-ring - Hilux 3.0 Injector <i>Anillo Inyector Hilux 3.0</i>	12un.
8	421.02.318	-	O-ring - Injector - Solenoide <i>Anillo Solenoide Inyector Denso</i>	12un.
12A	220.03.08	F 00R J02 537   F 00R J03 561 6.000.900.262	Protective Cap - Injectors / Units Nozzle - 7.00mm <i>Tapa Protectora p/ Tobera Inyectores / Unidades - 7.00mm</i>	01kit.
12B	220.03.09	F 00H 410 849   F 002 C88 080 6.000.900.076	Protective Cap - Injectors / Units Nozzle - 9.00mm <i>Tapa Protectora p/ Tobera Inyectores / Unidades - 9.00mm</i>	01kit.



**9 SHIM - PRE-INJECTION - DENSO INJECTOR (MFK)**  
 CALZO PRE INYECCION INYECTOR DENSO   
 Ø Int.: 1.80 Ø Ext.: 4.00


ROBIEL CODE	REFERENCE	THICKNESS(mm)
801.04.11	-	1.10
801.04.115	-	1.15
801.04.12	-	1.20
801.04.125	-	1.25
801.04.13	-	1.30
801.04.135	-	1.35
801.04.14	-	1.40
801.04.145	-	1.45
801.04.15	-	1.50

06 UNITS

**10 SHIM - ADJUSTMENT - FORD RANGER NOZZLE (DFK)**  
 CALZO DE AJUSTE TOBERA FORD RANGER   
 Ø Int.: 3.00 Ø Ext.: 5.70

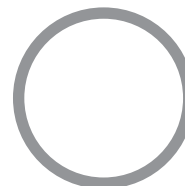
ROBIEL CODE	REFERENCE	THICKNESS(mm)
803.02.130	-	1.30
803.02.135	-	1.35
803.02.140	-	1.40
803.02.145	-	1.45
803.02.150	-	1.50
803.02.155	-	1.55
803.02.160	-	1.60
803.02.165	-	1.65
803.02.170	-	1.70
803.02.175	-	1.75
803.02.180	-	1.80
803.02.190	-	1.90
803.02.200	-	2.00


06 UNITS

**11 SHIM - DENSO 5190 INJECTOR SOLENOID (AH)**  
 CALZO SOLENOIDE INYECTOR DENSO 5190   
 Ø Int.: 21.40 Ø Ext.: 24.30

ROBIEL CODE	REFERENCE	THICKNESS(mm)
821.24.150	-	1.50
821.24.151	-	1.51
821.24.152	-	1.52
821.24.153	-	1.53
821.24.154	-	1.54
821.24.155	-	1.55
821.24.156	-	1.56
821.24.157	-	1.57
821.24.158	-	1.58
821.24.159	-	1.59
821.24.160	-	1.60
821.24.161	-	1.61
821.24.162	-	1.62
821.24.163	-	1.63
821.24.164	-	1.64
821.24.165	-	1.65
821.24.166	-	1.66
821.24.167	-	1.67
821.24.168	-	1.68
821.24.169	-	1.69
821.24.170	-	1.70


10 UNITS




**13** **ROD - DENSO INJECTOR - 5160**  
VASTAGO INYECTOR DENSO 5160   
Length 79.20mm

ROBIEL CODE	REFERENCE	THICKNESS(mm)
BID.01.4300	-	4.300
BID.01.4305	-	4.305


01 UNIT




**13** **ROD - DENSO INJECTOR - 6490**  
VASTAGO INYECTOR DENSO 6490   
Length 66.70mm

ROBIEL CODE	REFERENCE	THICKNESS(mm)
BID.02.4300	-	4.300
BID.02.4302	-	4.302
BID.02.4305	-	4.305


01 UNIT




**13** **ROD - DENSO INJECTOR - 23670-0L020 (HILUX 3.0)**  
VASTAGO INYECTOR DENSO 23670-0L020 (HILUX 3.0)   
Length 117.70mm

ROBIEL CODE	REFERENCE	THICKNESS(mm)
BID.03.4300	-	4.300
BID.03.4305	-	4.305


01 UNIT




**13** **ROD - DENSO INJECTOR - 16600-EB70A**  
VASTAGO INYECTOR DENSO 16600-EB70A  
(FRONTIER/TRANSIT)  
Length 125.85mm 

ROBIEL CODE	REFERENCE	THICKNESS(mm)
BID.04.4300	-	4.300
BID.04.4305	-	4.305


01 UNIT




**13** **ROD - DENSO INJECTOR - 1465A054**  
VASTAGO INYECTOR DENSO 1465A054  
(TRITON)  
Length 125.90mm 

ROBIEL CODE	REFERENCE	THICKNESS(mm)
BID.05.4300	-	4.300
BID.05.4305	-	4.305


01 UNIT




**13** **ROD - DENSO INJECTOR - 6700**  
VASTAGO INYECTOR DENSO 6700  
(SINOTRUCK)  
Length 77.50mm 

ROBIEL CODE	REFERENCE	THICKNESS(mm)
BID.06.4300	-	4.300
BID.06.4305	-	4.305


01 UNIT



**13** **ROD - DENSO INJECTOR - 09500-631**  
VASTAGO INYECTOR DENSO 09500 - 631   
Length 57.35mm

ROBIEL CODE	REFERENCE	THICKNESS(mm)
BID.08.4300	-	4.300
BID.08.4302	-	4.302
BID.08.4305	-	4.305

01 UNIT




**324.44.001**  
Grinding Tool to Denso Rod Housing  
Herramienta Rectificar Alojamiento Baston Denso  
Ø 4.300mm 



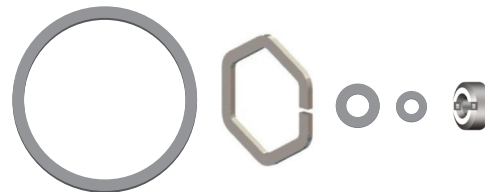
**324.44.002**  
Grinding Tool to Denso Rod Housing  
Herramienta Rectificar Alojamiento Baston Denso  
Ø 4.305mm 

**415.00.031 SHIM SET - DENSO/SIEMENS REPAIRING**

JUEGO CALZOS REPARACION DENSO / SIEMENS

Nº	ROBIEL CODE	DESCRIPTION	THICKNESS(mm)	UNITS BY MEASURE
AH	821.24.150 - 821.24.170		1.50 to 1.70	12 units
MFK	801.04.12 - 801.04.15	Shim - Pre Injection - Calzo Pre Inyeccion	1.20 to 1.50	12 units
DFK	800.00.290 - 800.00.310	Shim - Denso G2 - Calzo Denso G2	2.90 to 3.10	12 units
DFK	803.02.130 - 803.02.160	Shim - Adjustment - Nozzle - Calzo Del Ajuste Tobera	1.30 to 1.60	12 units
-	814.18.090 - 814.18.100	Shim - Adjustment Siemens - Calzo Del Ajuste Siemens	0.90 to 1.00	12 units

**612 UNITS**



**323.01.3241**

Rotating Vise W /  
Indexer Pin  
Morsa Giratoria con Pin index



**324.15.01**

Injectors Repair Bracket  
Soporte para reparacion  
de Inyectores



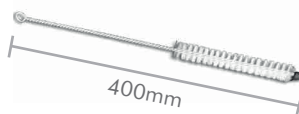
**324.15.04**

Clamp Set For Denso Injector  
Clip Del Inyector Denso



**324.13.322**

Tool To Release Denso  
Injector Valve  
Herramienta Soltar Valvula Inyector  
Denso



**323.02.121**

Cleaning Brush  
Cepillo de Limpieza  
Ø 12.00mm



**323.50.20**

Tool Set - Denso Injector Filter  
Juego Herramienta Filtro Inyector Denso



**323.50.083**

Common Rail Denso G1 / G2  
/ G3 - Siemens/Continenta  
Injectors Tool Kit  
Kit de Herramientas Inyectores Denso  
G1 / G2 / G3 - Siemens/Continental



USE YOUR SMARTPHONE CAMERA TO SCAN THE QR CODE AND ACCESS MORE **TECHNICAL INFORMATION** FROM OUR PRODUCTS IN **ROBIEL** APP.  
 USE LA CÁMARA DE SU TELÉFONO PARA ESCANEAR EL **CÓDIGO QR** Y OBTENER MÁS **INFORMACIONES TÉCNICAS** SOBRE LOS PRODUCTOS EN NUESTRA APLICACIÓN **ROBIEL**.

**DOWNLOAD OUR NEW APP**  
 DESCARGUE NUESTRA NUEVA APLICACIÓN



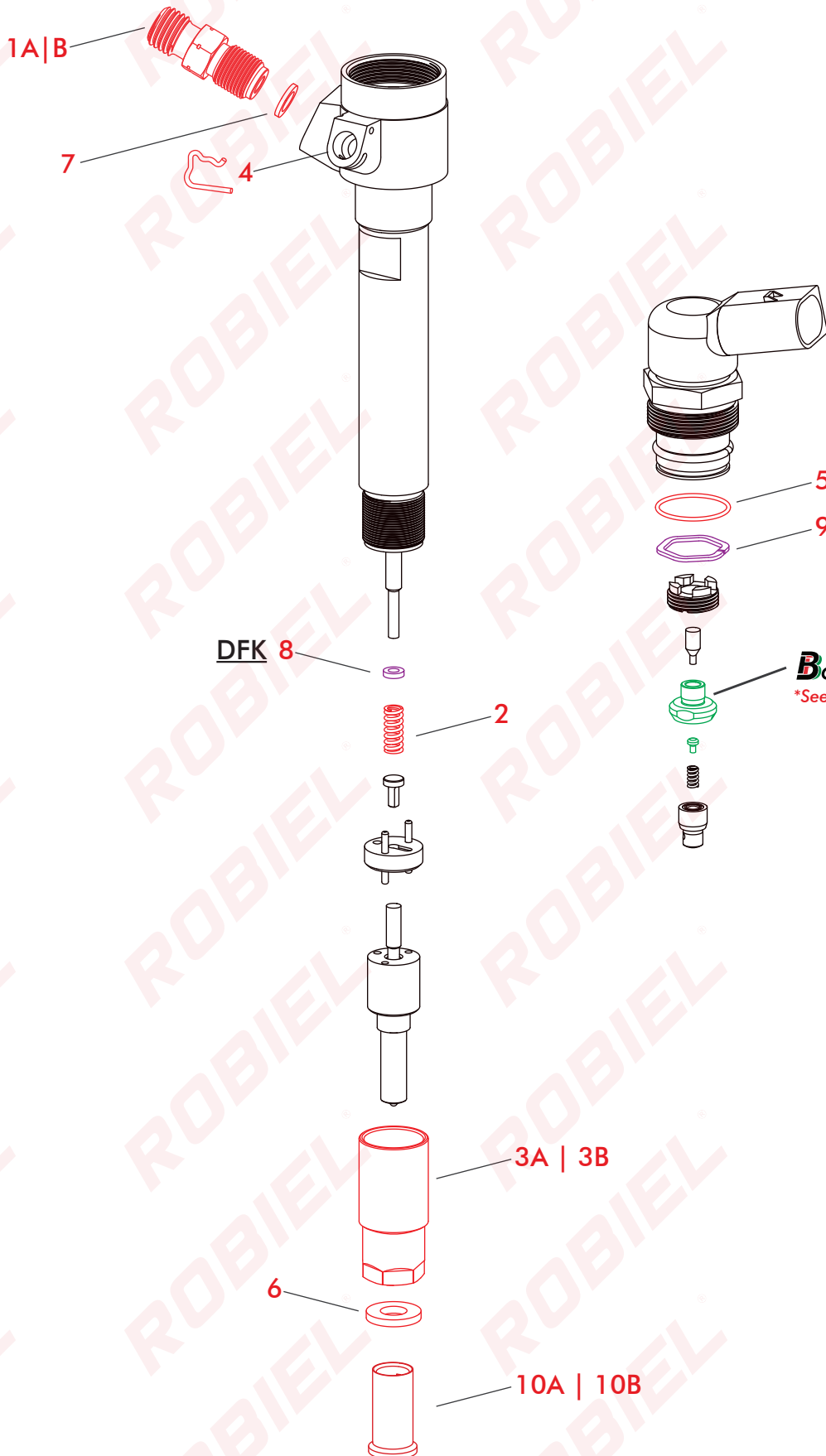
**SIEMENS VDO | CONTINENTAL INJECTORS**  
 INYECTORES SIEMENS VDO | CONTINENTAL

Ford Ranger

**INJECTOR**

SW 5006

77550



SPARE PARTS Repuestos				
Nº	ROBIEL CODE	REFERENCE	DESCRIPTION	PACK
1A	165.02.06	F 00V C16 017	Connection - Pressure - Common Rail <i>Conexion de Pressão del Inyector Common Rail</i>	01un
1B	165.02.061	-	Connection w/ Filter - Pressure - Common Rail M12X 1.50mm <i>Conexion c/ Filtrode Pressão del Inyector Common Rail M12 X 1.00mm</i>	01un
2	225.01.41	-	Spring - Siemens Injector Nozzle Shim <i>Resorte del Calzo de la Tobera inyector Siemens</i>	06un
3A	315.06.55	-	Nut - Nozzle-Retaining Siemens <i>Tapa de la Tobera Del Inyector Siemens</i>	04un
3B	315.06.61	BK2Q9K546AG   A2C59517051 5WS40745	Nut - Nozzle-Retaining Ford Ranger / Transit / Troller - 2.2   3.2 <i>Tapa de la Tobera Ford Ranger / Transit / Troller - 2.2   3.2</i>	04un
4	335.03.00	-	Lock - Siemens Injectors Return <i>Bloqueo Del Retorno Inyector Siemens</i>	04un
5	421.01.851	-	O-ring - Siemens Injector - Solenoide <i>Anillo Solenoide Inyector Siemens</i>	12un
6	607.15.20	-	Washer - Ford Ranger Siemens Nozzle <i>Arandela de la Tobera Siemens Ford Ranger</i>	01kit
7	805.09.05	F 00V C17 003   F 00R 0P0 004	Shim - 0.60mm <i>Calzo - 0.60mm</i>	12un
10A	220.03.08	F 00R J02 537   F 00R J03 561 6.000.900.262	Protective Cap - Injectors / Units Nozzle - 7.00mm <i>Tapa Protectora p/ Tobera Inyectores / Unidades - 7.00mm</i>	01kit
10B	220.03.09	F 00H 410 849   F 002 C88 080 6.000.900.076	Protective Cap - Injectors / Units Nozzle - 9.00mm <i>Tapa Protectora p/ Tobera Inyectores / Unidades - 9.00mm</i>	01kit



Ø INT: 7.30mm  
Ø EXT: 15.00mm  
Thickness: 2.00mm



Ø INT: 5.50mm  
Ø EXT: 9.40mm  
Thickness: 0.50mm

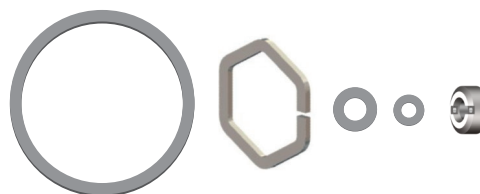


9	SHIM - ADJUSTMENT - PIEZO SIEMENS CALZO DE AJUSTE PIEZO SIEMENS						
	ROBIEL CODE	REFERENCE	THICKNESS(mm)	ROBIEL CODE	REFERENCE	THICKNESS(mm)	
Ø Int.: 16.00 Ø Ext.: 18.00							
	814.18.080	-	0.80	814.18.099	-	0.99	
	814.18.085	-	0.85	814.18.100	-	1.00	
	814.18.090	-	0.90	814.18.101	-	1.01	
	814.18.091	-	0.91	814.18.102	-	1.02	
	814.18.092	-	0.92	814.18.103	-	1.03	
	814.18.093	-	0.93	814.18.105	-	1.05	
	814.18.094	-	0.94	814.18.110	-	1.10	
	814.18.095	-	0.95	814.18.115	-	1.15	
	814.18.096	-	0.96	<b>06 UNITS</b>			
	814.18.097	-	0.97				
	814.18.098	-	0.98				
	<b>06 UNITS</b>						



8 SHIM - ADJUSTMENT - FORD RANGER NOZZLE (DFK) CALZO DE AJUSTE TOBERA FORD RANGER		
Ø Int.: 3.00 Ø Ext.: 5.70		
ROBIEL CODE	REFERENCE	THICKNESS(mm)
803.02.130	-	1.30
803.02.135	-	1.35
803.02.140	-	1.40
803.02.145	-	1.45
803.02.150	-	1.50
803.02.155	-	1.55
803.02.160	-	1.60
<b>06 UNITS</b>		

415.00.031 SHIM SET - DENSO/SIEMENS REPAIRING JUEGO CALZOS REPARACION DENSO / SIEMENS				
Nº	ROBIEL CODE	DESCRIPTION	THICKNESS(mm)	UNITS BY MEASURE
AH	821.24.150 - 821.24.170		1.50 to 1.70	12 units
MFK	801.04.12 - 801.04.15	Shim - Pre Injection - Calzo Pre Inyeccion	1.20 to 1.50	12 units
DFK	800.00.290 - 800.00.310	Shim - Denso G2 - Calzo Denso G2	2.90 to 3.10	12 units
DFK	803.02.130 - 803.02.160	Shim - Adjustment - Nozzle - Calzo Del Ajuste Tobera	1.30 to 1.60	12 units
-	814.18.090 - 814.18.100	Shim - Adjustment Siemens - Calzo Del Ajuste Siemens	0.90 to 1.00	12 units
<b>612 UNITS</b>				



**323.50.083**  
Common Rail Denso G1 / G2 / G3 - Siemens/Continental Injectors Tool Kit  
Kit de Herramientas Inyectores Denso G1 / G2 / G3 - Siemens/Continental

**323.01.3241**  
Rotating Vise W / Indexer Pin  
Morsa Giratoria con Pin Index

**324.15.01**  
Injectors Repair Bracket  
Soporte para reparacion de Inyectores

**323.02.121**  
Cleaning Brush  
Cepillo de Limpieza  
Ø 12.00mm

# BONALLI

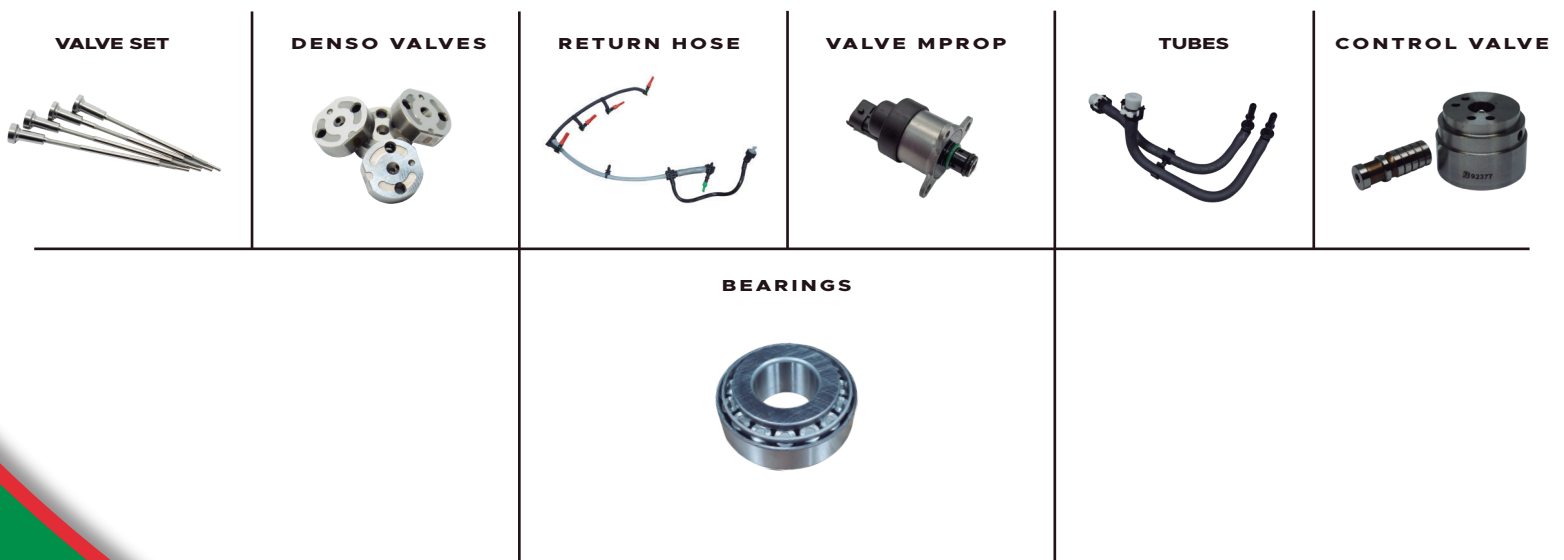
D i e s e l A u t o P a r t s

## SOLUTIONS FOR COMMON RAIL SYSTEMS

We offer the diesel segment several products for Common Rail systems aimed at workshops and repairers who are looking for better alternatives. compared to brands already on the market. either in price or in the quality of their products.

Distributed in Brazil by Robiel Injeção Diesel. a company that has operated for over 33 years in the sector. our products provide an excellent cost-benefit ratio. making the repair process simpler and more agile. in addition to offering its customers greater profitability and process optimization .

Having as main objectives the practice of affordable prices and a quality similar to the originals. we aim to become a reference both for repair shops that the culture of repair and remanufacture of diesel injection components is not possible. as for repairers who face difficulties in finding products with strength. durability and quality on the market.



These components of the common rail system are fundamental for the perfect functioning of modern diesel systems and guarantee the best fuel efficiency. engine power and compliance with emission laws.

# VALVE SET

Original Code: F 00R J00 005

**B01.04.0005**

<b>Injector Number</b>	O 986 435 501	<b>Engine</b>	2.8 JTD
	O 445 120 002		

<b>Application</b>	Ducato / Jumper / Boxer	2005 - 2009
--------------------	-------------------------	-------------



Original Code: F 00R J00 339

**B01.04.0339**

<b>Injector Number</b>	O 445 120 007	<b>Engine</b>	ISBe4 ISB6 - F4A
------------------------	---------------	---------------	------------------

<b>Application</b>	Agrale MA e MT12	01/2005 - 12/2009
	Iveco 170E25 e 240E25 e 170E22	12/2008 - 04/2012
	Eurocargo 170E22	01/2005
	Eurocargo 230E22	03/2006 - 12/2009
	Eurocargo 230E24	03/2006 - 12/2011
	New Holland T7060	10/2007 - 12/2014



Original Code: F 00V C01 022

**B01.04.1022**

<b>Injector Number</b>	O 445 110 141	<b>Engine</b>	G9U - 2.5 16V
------------------------	---------------	---------------	---------------

<b>Application</b>	Renault Master - Euro 3	2005 - 2011
--------------------	-------------------------	-------------



Original Code: F 00V C01 023

**B01.04.1023**

<b>Injector Number</b>	O 445 110 231	<b>Engine</b>	MWM 4.07 TCE - SPRINT EURO 3
------------------------	---------------	---------------	------------------------------

<b>Application</b>	VW-Delivery 5.140/8.150	10/2005 - 12/2011
	Chevrolet S10	08/2005 - 01/2012
	Chevrolet Blazer	08/2005 - 05/2009



Original Code: F 00V C01 051

**B01.04.1051**

<b>Injector Number</b>	O 445 110 190	<b>Engine</b>	OM612 LA CDI 2.2 16V - 4 CIL.
			OM612 LA CDI 2.7 20V - 5 CIL.

<b>Application</b>	MBB - Sprinter 311/313/413 - Euro 3	2002 - 2011
	MBB - Accelo 715 - Euro 3	2002 - 2011
	Gran Cherokee - 2.7 20V	2002 - 2004



Original Code: F 00R J01 278

**B01.04.1278**

<b>Injector Number</b>	O 445 120 054	<b>Engine</b>	NEF 4 / NEF 6
------------------------	---------------	---------------	---------------

<b>Application</b>	Iveco Tector 170E22/170E28/240E22/240E28/260E28	05/2012
	Vertis 90V16 / 130V18	10/2010 - 09/2012
	130V19 / 90V18	10/2012
	Case 2855491 / IH 2855491	



Original Code: F 00V C01 022

**B01.04.1353**

<b>Injector Number</b>	O 445 110 265	<b>Engine</b>	2.5 - G9U
------------------------	---------------	---------------	-----------

<b>Application</b>	Master 2,5 16V	2012 - 2013
--------------------	----------------	-------------



# VALVE SET

**B01.04.1379**

Original Code: F 00V C01 379



<b>Injector Number</b>	O 445 110 424	<b>Engine</b>	2.8 CTDI
<b>Application</b>	Chevrolet - S10 / Trail Blazer		2012 - 2013

**B01.04.1383**

Original Code: F 00V C01 383



<b>Injector Number</b>	O 445 110 376	<b>Engine</b>	ISF 2.8 - Euro 5 - 150CV
<b>Application</b>	Cummins F350/F4000		12/2014

**B01.04.1338**

Original Code: F 00V C01 338



<b>Injector Number</b>	O 445 110 248 O 445 110 273	<b>Engine</b>	F1CE0481 - 3.0 - Euro 3 F1AE0481T - 2.3 - Euro 3
<b>Application</b>	Iveco Daily 3.0 - City Class / Daily 35S14 / 40S16 / 45S14 / 45S16 / 55S16 Scudato 70C16 Ducato / Jumper / Boxer		08/2007 - 03/2012 10/2009 - 02/2012

**B01.04.1895**

Original Code: F 00R J01 895

<b>Injector Number</b>	O 445 120 016 O 445 120 017	<b>Engine</b>	MWM 4.12 6.12 TCE
<b>Application</b>	VW 15.190 VW 17.230		2004 - 2012

**B01.04.1941**

Original Code: F 00R J01 941



<b>Injector Number</b>	O 445 120 120 O 445 120 140	<b>Engine</b>	ISC 8.3
<b>Application</b>	VW 18.320EOT Constellation 19.320 Titan Constellation 25.320 Constellation 31.320 Ford Cargo 28/40/43 e 5332		02/2006 - 12/2011 10/2005 - 12/2011 03/2008 - 08/2011 01/2007 - 12/2011

**B01.04.2103**

Original Code: F 00R J02 103



<b>Injector Number</b>	O 445 120 134 O 445 120 297 O 445 120 321 O 445 120 360 O 445 120 361 O 445 120 372 O 445 120 416 O 445 120 426 O 445 120 445 O 445 120 482 O 445 120 498 O 445 120 499	<b>Engine</b>	ISF 3.8
<b>Application</b>	VW 5.150 / 8.160 / 9.160 Foton		2012 ->

# VALVE SET

Original Code: F 00R J02 130 **B01.04.2130**

<b>Injector Number</b>	O 445 120 212	<b>Engine</b>	ISB4 / ISB6 / F4A
<b>Application</b>	VW 8150 / 24250 / 23250		2004 - 2011
	Ford 1317e / 1717e / 2422e / 2428e		2004 - 2011
	Agrale MT 12.0e		2004 - 2011
	Iveco Tector 170E22		2004 - 2011
	Eurocargo 170E22 / 230E22 / 230E24		2004 - 2011
	New Holland T7060		2004 - 2011



Original Code: F 00R J02 449 **B01.04.2449**

<b>Injector Number</b>	O 445 120 162	<b>Engine</b>	D0834
	O 445 120 186		
	O 445 120 315		
	O 445 120 316		
	O 445 120 484		
	O 445 120 491		
<b>Application</b>	VW Constellation 13/15.190		2012 ->



Original Code: F 00R J02 506 **B01.04.2506**

<b>Injector Number</b>	O 445 120 106	<b>Engine</b>	ISC 8.3 l e ISL
	O 445 120 199		
	O 445 120 257		
	O 445 120 310		
<b>Application</b>	Cargo 1832		01/2010 - 12/2011
	Cargo 1932		04/2011
	2632/2932/3132/4432/4532/ Max ton 5032/ 6332		02/2006 - 12/2011
	VW 18.320 EOT		02/2007 - 12/2011
	Constellation 17.320/19.320/24.320/25.320.31.320		02/2007 - 12/2011



Original Code: F 00V C4 5200 **B01.04.5200**

<b>Injector Number</b>	O 445 110 520	<b>Engine</b>	F1C / F1A / FIAGL411 / F1AE3481
	O 445 110 418		
<b>Application</b>	Ducato / Jumper / Boxer / Daily		2012 / 2022



Original Code: F 00V C4 1502 **B01.04.1502**

<b>Injector Number</b>	O 445 110 369	<b>Engine</b>	CS / CN / CFF / CLC
	O 445 110 647		
	O 445 110 646		
<b>Application</b>	Amarok 2.0 TDI 16 V / Tiguan 2.0 TDI / Jetta 2.0 TDI		2012 / 2022



# DENSO VALVES

## B03.03.P140

<b>Injector Number</b>	A2C59517051	<b>Engine</b>	Puma 2.2 e 3.2 16V - Euro 5
<b>Application</b>	Ford Ranger / Transit 2.2/3.2 - Euro 5		2012 - 2017



## B05.03.L020

<b>Injector Number</b>	095000-544	<b>Engine</b>	1 KD-FTV
	095000-592		
	095000-822		
	095000-829		
	095000-778		
	095000-754		
<b>Application</b>	Hilux Land Cruiser 3.0		2005 - 2010



## B05.03.L090

<b>Injector Number</b>	295050-018	<b>Engine</b>	1KD - 3.0 / 2KD - 2.5
	295050-052		
	295050-020		
	295050-046		
<b>Application</b>	Hilux 3.0 / Land Cruiser / Vigo 3.0 VNT - Euro 4		2010 - 2012



## B05.03.0576

<b>Injector Number</b>	095000-576	<b>Engine</b>	4M41 - 3.2
	095000-811		
<b>Application</b>	Pajero Sport / Dakar / Full / Montero		2012-2016



## B05.03.0560

<b>Injector Number</b>	095000-560	<b>Engine</b>	4D56 - 2.5
<b>Application</b>	L200 Triton		2008 - 2018



## B05.03.0580

<b>Injector Number</b>	095000-580	<b>Engine</b>	Puma 2.4 16V
<b>Application</b>	Ford transit / Land Rover Defender - Euro 3		2007 - 2011
	Citroën Jumper		2007 - 2011



## B05.03.0625

<b>Injector Number</b>	095000-625	<b>Engine</b>	YD 2.5 DDTI - 16V DOHC
<b>Application</b>	Nissan Frontier / Navara / Pathfinder YD 25		2005 - 2013



## B05.03.0648

<b>Injector Number</b>	095000-648	<b>Engine</b>	JD 6090
<b>Application</b>	John Deere 8530 S450 2005_11 / Tractor		2006 - 2009



# VALVE MPROP

**B01.07.0481**

*Original Code: 0 928 400 481*



**Application** Volkswagen - Constellation - 2001 - 2020 **ENGINE** D08 36 280

**B01.07.0487**

*Original Code: 0 828 400 487*



**Application** Renault - Master 2.5 16V DOHV L4 - 2004 - 2012 **ENGINE** G9U-724

**B01.07.0508**

*Original Code: 0 928 400 508*



**Application** MBB - Sprinter CDI 2.2L 16V - 2002 - 2020 **ENGINE** OM 611 LA  
**ENGINE** OM 651 LA

**B01.07.0644**

*Original Code: 0 928 400 644*



**Application** Ford Cargo Interact 4 - 2005 - 2011 **ENGINE** INTERACT 4 ISBe

**B01.07.0666**

*Original Code: 0 928 400 666*



**Application** Dodge Ram - RAM - 5.9L 24V SOHV L6 - 2004 - 2010 **ENGINE** ETH

**B01.07.0667**

*Original Code: 0 928 400 667*



**Application** Fiat Ducato 2.3L 16V DOHC L4 - EURO V - 2009 - 2012 **ENGINE** F1A MULTIJET  
**Application** Citroen Jumper 2.3L 16V DOHC L4 - 2010 - 2012 **ENGINE** F1A MULTIJET  
**Application** Peugeot Boxer 2.3L 16V DOHV L4 - 2010 - 2012 **ENGINE** F1A MULTIJET

**B01.07.0726**

*Original Code: 0 928 400 726*



**Application** Fiat Ducato 2.3L 16V DOHC L4 - EURO III - 2009 - 2012 **ENGINE** F1A MULTIJET  
**Application** Citroen Jumper 2.3L 16V DOHC L4 - 2010 - 2012 **ENGINE** F1A MULTIJET  
**Application** Peugeot Boxer 2.3L 16V DOHV L4 - 2010 - 2012 **ENGINE** F1A MULTIJET

# VALVE MPROP

**B01.07.0739**

*Original Code: 0 928 400 739*



<b>Application</b>	Iveco Daily 3.0L 16V DOHC L4 - 2007 - 2020	<b>ENGINE</b>	F1C E 0481
		<b>ENGINE</b>	F1C DS
		<b>ENGINE</b>	F1C DS - EGR
<b>Application</b>	Scudato 2.8L 8V SOHC L4 - 2001 - 2008	<b>ENGINE</b>	8140.43
		<b>ENGINE</b>	8140.43S
<b>Application</b>	Hyundai HD 78 - 3.0L 16V DOHC L4 - 2011 - 2020	<b>ENGINE</b>	D4GA

**B01.07.0768**

*Original Code: 0 928 400 768*



<b>Application</b>	Volkswagen Amarok - 2.0L 16V DOHC L4 - 2010-2020	<b>ENGINE</b>	EA189
--------------------	--	---------------	-------

**B01.07.0789**

*Original Code: 0 928 400 789*



<b>Application</b>	Volkswagen 17.230 EOD - 7.2L 12V SOHV L6 - 2006-2001	<b>ENGINE</b>	6.12TCE ACTEON
--------------------	--	---------------	----------------

**B01.07.2500**

*Original Code: 0 281 002 500*



<b>Application</b>	Fiat Ducato - 2.8L 8V SOHC L4 - 2000 - 2008	<b>ENGINE</b>	8140.23
		<b>ENGINE</b>	8140.43
		<b>ENGINE</b>	8140.63
<b>Application</b>	Iveco Daily - 2.8L 8V SOHC L4 - 2000 - 2008	<b>ENGINE</b>	8140.23 8140.43

**B01.07.6074**

*Original Code: 0 281 000 074*



<b>Application</b>	Volkswagen Amarok - 2.0L 16V DOHC L4 - 2010 - 2020	<b>ENGINE</b>	EA189
--------------------	--	---------------	-------

**B03.07.0005**

*Original Code: X39-800-300-005Z*



<b>Application</b>	Ford Ranger - 3.0L 16V DOHC L4 - 2005 - 2012	<b>ENGINE</b>	POWER STROKE
<b>Application</b>	Troller - 3.0L 16V DOHC L4 - 2006 - 2012	<b>ENGINE</b>	POWER STROKE



# VALVE MPROP

**B03.07.0006**

*Original Code: X39-800-300-006Z*



<b>Application</b>	Ford Ranger - 3.0L 16V DOHC L4 - 2005 - 2012	<b>ENGINE</b>	POWER STROKE
--------------------	--	---------------	--------------

**B03.07.9358**

*Original Code: BK2Q-9358-AA*



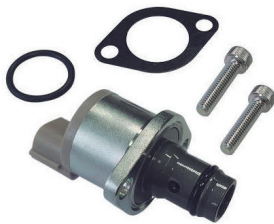
<b>Application</b>	Ford Ranger - 2.2L 16V DOHC L4 - 2012 - 2016	<b>ENGINE</b>	DURATORQ
--------------------	--	---------------	----------

<b>Application</b>	Ford Ranger - 3.2L 20V DOHC L5 - 2012 - 2016	<b>ENGINE</b>	DURATORQ
--------------------	--	---------------	----------

<b>Application</b>	Ford Transit - 2.2L 16V DOHC L4 - 2012 - 2016	<b>ENGINE</b>	DURATORQ
--------------------	---	---------------	----------

**B05.07.0360**

*Original Code: 294200-0360*



<b>Application</b>	Nissan Frontier - 2.5L DOHC L4 - 2007 - 2019	<b>ENGINE</b>	YD25ETI
--------------------	--	---------------	---------

<b>Application</b>	Toyota Hilux - 2.5L 16V DOHC L4 - 2005 - 2011	<b>ENGINE</b>	D4D
--------------------	---	---------------	-----

**B05.07.0650**

*Original Code: 294200-0360*



<b>Application</b>	JCB	<b>ENGINE</b>	ISUZU 4HK1
--------------------	-----	---------------	------------

<b>ENGINE</b>	ISUZU 6HK1
---------------	------------

# TUBES

**B06.09.0001**

*Original Code: 3970729*



<b>Application</b>	VW Constalattion 17-250E / 24-250E	<b>ENGINE</b>	Cummins ISB 5.9L 6 cil.
<b>Application</b>	VW Worker 17-250E / 23-250E / 24-250 E	<b>ENGINE</b>	Cummins ISB 5.9L 6 cil.

**B06.09.0002**

*Original Code: 3972002*



<b>Application</b>	Constallation 17-250E (2006-2012)	<b>ENGINE</b>	Interact 6
<b>Application</b>	Delivery 9.150 (2014-2016)	<b>ENGINE</b>	Interact 4
<b>Application</b>	Worker 17.250E (2006-2012)	<b>ENGINE</b>	Interact 4
<b>Application</b>	Worker 9.150 (2003-2011)	<b>ENGINE</b>	Interact 4
<b>Application</b>	VW 15.170 (2000-2006)	<b>ENGINE</b>	Interact 4

**B06.09.0003**

*Original Code: 3964119*



<b>Application</b>	Ford Cargo 815E - 1317E - 1517E - 1717E - 1722E - 2422E - 2428E - 2622E - 2628E - 2005 - 2006 - 2007 - 2008 - 2009 - 2010 - 2011	<b>ENGINE</b>	Interact 4
<b>Application</b>	Ford Novo Cargo 1317 4x2 - 1517 4x2 - 1717 4x2 - 2021 on	<b>ENGINE</b>	5.9 ISBE
<b>Application</b>	Ford 1722 4x2 - 2422 6x2 - 2428 6x2 - 2622 6x4 - 2628 6x4 - 2021 on	<b>ENGINE</b>	Interact 6

# RETURN HOSE

**B06.09.0004**

*Original Code: BB3Z9A564E / BK3Q9A564E*



<b>Application</b>	Ford Ranger	<b>Engine</b>	2.2 L - 16 V
--------------------	-------------	---------------	--------------

**B06.09.0005**

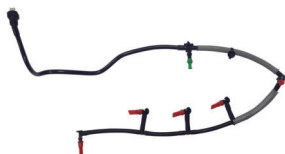
*Original Code: 03L130235AD*



<b>Application</b>	Amarok - 2012 a 2018	<b>Engine</b>	EA189 - 2.0 16 V 180cv
--------------------	----------------------	---------------	------------------------

**B06.09.0006**

*Original Code: BB3Q9K022BG / BB3Q9K022BH*



<b>Application</b>	Ranger 3.2	<b>Engine</b>	DURATORQ
--------------------	------------	---------------	----------

## CONTROL VALVE

**B02.04.5486**

*Original Code: 7135-486*



**Application** EUI Caterpillar C10 | C12 | C15 | C18 e C32 Unit

**Application** CAT 3500 | Unit Delphi EUI A1 | A2



**B04.04.6015**

*Original Code: 135-6015*



**Application** EUI Caterpillar C10 | C11 | C13 Unit

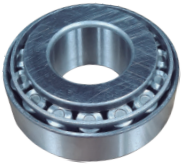
**Application** EUI Caterpillar 3500 Unit



## BEARINGS

**B04.08.0001**

*Original Code: LAL 189-2446*



**Application** Caterpillar Pump C7 / C9

## VALVE CONTROL

**B02.03.7576**

*Original Code: 28229873 - Bosch*



**Application** 29873 Delphi Common Rail Injector (EURO V)

**B01.04.5037A**

*Original Code: F00GX17004*



**Injector Number** 0445 115 XXX

0445 116 XXX

0445 117 XXX

All CRI 3 injectors

**Applications**

Amarok 2.0 - 4 Cylinders

Amarok V6 3.0

Iveco Daily



# NOZZLE INJECTOR

Description: Nozzle Injector - 3S10

Original Code: G3S10

**BLLA151G3S10**

<b>Technical Code</b>	DLLA151G3S10	<b>Brand</b>	Denso
<b>Vehicle</b>	Navarra Pathfinder		
<b>Number Injector</b>	295050-030X		
<b>Applications</b>	Denso G2 / G3		



Description: Nozzle Injector - 3S51

Original Code: G3S51

**BLLA152G3S51**

<b>Technical Code</b>	DLLA152G3S51	<b>Brand</b>	Denso
<b>Vehicle</b>	Nissan Frontier		
<b>Number Injector</b>	295050-105X		
<b>Applications</b>	Denso G2 / G3		



Description: Nozzle Injector - 3S77

Original Code: G3S77

**BLLA148G3S77**

<b>Technical Code</b>	DLLA148G3S77	<b>Brand</b>	Denso
<b>Vehicle</b>	Perkins		
<b>Number Injector</b>	1465A439 / 295050-176		
<b>Applications</b>	Denso G2 / G3		



Description: Nozzle Injector - L325

Original Code: L325PBC

**BLLA152LP325**

<b>Technical Code</b>	ALLA152LP325	<b>Brand</b>	Delphi
<b>Vehicle</b>	Volvo MD11 Euro 5		
<b>Number Injector</b>	BEBE4J0001-00101-010		
<b>Applications</b>	CRIN		



Description: Nozzle Injector - L325

Original Code: 0433171188

**BLLA155P230**

<b>Technical Code</b>	DLLA155P230	<b>Brand</b>	Bosch
<b>Vehicle</b>	Scania S112 / S113 / K112 / T113		
<b>Number Injector</b>	1302563		
<b>Applications</b>	EUI PDE		



Description: Nozzle Injector - P422

Original Code: 0433171303

**BLLA134P422**

<b>Technical Code</b>	DLLA134P422	<b>Brand</b>	Bosch
<b>Vehicle</b>	Mercedes-Benz 1214C / 1718 / 710		
<b>Number Injector</b>	O 432 131 798 / 9 430 082 771 / MBB OM 357 - 366 - 364		
<b>Applications</b>			





# NOZZLE INJECTOR

Description: Nozzle Injector - P848

Original Code: 0433171576

**BLLA134P848**

**Technical Code** DLLA150P848 **Brand** Bosch

**Vehicle** Scania P / G / R

**Number Injector** O 414 701 027 / O 414 701 008 / O 414 701 019 / O 414 701 045

**Applications** Scania 124



Description: Nozzle Injector - P870

Original Code: 093400-8700

**BSLA145P870-J**

**Technical Code** DLLA150P848 **Brand** Denso

**Vehicle** Mitsubishi Triton L200

**Number Injector** O95000-560X

**Applications** G2 / G3



Description: Nozzle Injector - P870

Original Code: 0433175271

**BSLA143P970**

**Technical Code** DSLA143P970 **Brand** Bosch

**Vehicle** Iveco - New Holland

**Number Injector** O 445 120 007

**Applications** G2 / G3



Description: Nozzle Injector - 1024

Original Code: 093400-0240

**BLLA145P1024-J**

**Technical Code** DLLA145P1024 **Brand** Denso

**Vehicle** Toyota Hilux 2.5

**Number Injector** O95000-776X

**Applications** G2 / G3



Description: Nozzle Injector - 1036

Original Code: 093400-1036

**BLLA149P1036-J**

**Technical Code** DLLA149P1036 **Brand** Denso

**Vehicle** John Deere

**Number Injector** O95000-776X

**Applications** G2



Description: Nozzle Injector - 1062

Original Code: 093400-1062

**BLLA155P1062-J**

**Technical Code** DLLA155P1062 **Brand** Denso

**Vehicle** Toyota Hilux 3.0

**Number Injector** O95000-829X

**Applications** G2 / G3





# NOZZLE INJECTOR

Description: Nozzle Injector - 1062

Original Code: 0433171811

**BLLA146P1296**

<b>Technical Code</b>	DLLA140P1296	<b>Brand</b>	Bosch
<b>Vehicle</b>	Renault Master		
<b>Number Injector</b>	0 445 110 141		
<b>Applications</b>	CRI / CRI 1.0 / CRI 2.0 / CRI 2.2		



Description: Nozzle Injector - 1062

Original Code: 0433175416

**BSLA156P1411**

<b>Technical Code</b>	DSLA156P1411	<b>Brand</b>	Bosch
<b>Vehicle</b>	Renault Master		
<b>Number Injector</b>	0 432 193 480 / 0 432 191 587 / 0 432 193 477 / 0 432 191 501 0 986 430 512 / 0 432 193 481 / 0 432 191 311 / 0 432 191 307 MBB OM 904-906 / 0 432 191 445 / 0 432 191 462 (Accelo-Atego) / 0 432 191 554		
<b>Applications</b>	CRI / CRI 1.0 / CRI 2.0 / CRI 2.2		



Description: Nozzle Injector - 1533

Original Code: 0433171945

**BLLA138P1533**

<b>Technical Code</b>	DLLA138P1533	<b>Brand</b>	Bosch
<b>Vehicle</b>	Fiat Ducato / Iveco Daily		
<b>Number Injector</b>	0 445 110 247 / 0 445 110 248 / Fiat Ducato / Iveco Daily		
<b>Applications</b>	CRI / CRI 1.0 / CRI 2.0 / CRI 2.2		



Description: Nozzle Injector - 1577

Original Code: 0433171966

**BLLA137P1577**

<b>Technical Code</b>	DLLA137P1577	<b>Brand</b>	Bosch
<b>Vehicle</b>	New Holand		
<b>Number Injector</b>	0 445 120 075		
<b>Applications</b>	CRIN 2 / CRIN 3		



Description: Nozzle Injector - 1641

Original Code: 0433172004

**BLLA148P1641++**

<b>Technical Code</b>	DLLA148P1641	<b>Brand</b>	Bosch
<b>Vehicle</b>	Man TGX - TGA		
<b>Number Injector</b>	0 445 120 100 / 0 445 120 154 / 0 445 120 219 / 0 445 120 275		
<b>Applications</b>	CRI / CRI 1.0 / CRI 2.0 / CRI 2.2		



Description: Nozzle Injector - 1728

Original Code: 0433175483

**BSLA150P1728**

<b>Technical Code</b>	DSLA150P1728	<b>Brand</b>	Bosch
<b>Vehicle</b>	Accelo 2006 - OM904		
<b>Number Injector</b>	0 432 193 439 / 0 432 193 441 / 0 432 193 445		
<b>Applications</b>	CRI / CRI 1.0 / CRI 2.0 / CRI 2.2		





# NOZZLE INJECTOR

Description: Nozzle Injector - 1728

Original Code: 0433175483

**BSLA150P1728**

<b>Technical Code</b>	DSLA150P1728	<b>Brand</b>	Bosch
<b>Vehicle</b>	Accelo 2006 - OM904		
<b>Number Injector</b>	O 432 193 439 / O 432 193 441 / O 432 193 445		
<b>Applications</b>	CRI / CRI 1.0 / CRI 2.0 / CRI 2.2		



Description: Nozzle Injector - 1730

Original Code: 0433175485

**BSLA146P1730**

<b>Technical Code</b>	DSLA146P1730	<b>Brand</b>	Bosch
<b>Vehicle</b>	MBB Axor		
<b>Number Injector</b>	O 432 193 436 / O 432 193 437		
<b>Applications</b>	Unidades EUP Bosch		



Description: Nozzle Injector - 1776

Original Code: 0433172083

**BLLA126P1776**

<b>Technical Code</b>	DLLA126P1776	<b>Brand</b>	Bosch
<b>Vehicle</b>	VW Constellation		
<b>Number Injector</b>	O 445 120 520		
<b>Applications</b>	CRI / CRI 1.0 / CRI 2.0 / CRI 2.2		



Description: Nozzle Injector - 2229

Original Code: 0433172229

**BLLA139P2229**

<b>Technical Code</b>	DLLA139P2229	<b>Brand</b>	Bosch
<b>Vehicle</b>	Fiat Ducato		
<b>Number Injector</b>	O 445 110 520		
<b>Applications</b>	-		



Description: Nozzle Injector - 2248

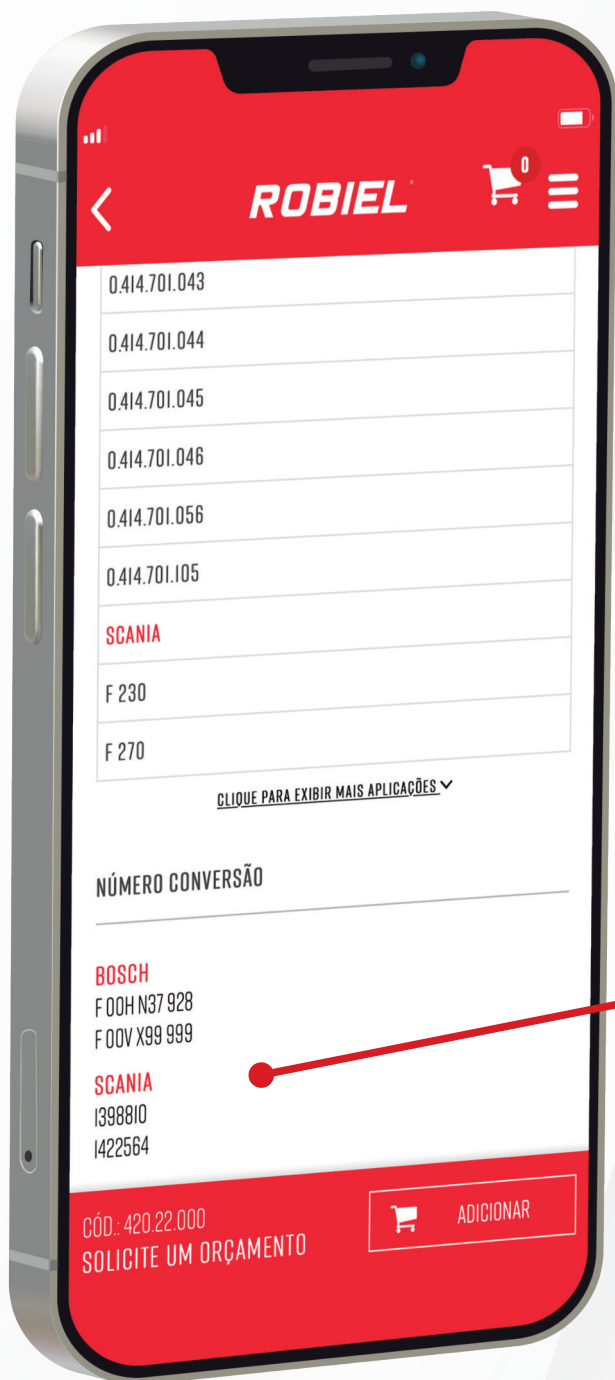
Original Code: 0433172248

**BLLA143P2248**

<b>Technical Code</b>	DLLA142P228	<b>Brand</b>	Bosch
<b>Vehicle</b>	Cargo 1731 / Cargo 3031 / Cargo C 2423 / Cargo C 2629 / Mercedes Benz		
<b>Number Injector</b>	O 445 110 267		
<b>Applications</b>	CRIN 2 / CRIN 3		



CONVERT  
**ORIGINAL**  
CODES INTO  
**ROBIEL**<sup>®</sup>  
CODES



DOWNLOAD NOW!



WWW.ROBIEL.COM



# **ROBIEL®**

## **HIGH PRESSURE PUMPS** *BOMBAS DE ALTA PRESIÓN*

Bosch CP1

Bosch CP1H

Bosch CP3 0 445 020 046

Bosch CP3 0 445 010 033

Bosch CP3 0 445 020 033

Bosch CP3 0 445 020 129

Bosch CP3 0 445 020 005

Bosch CP4

Caterpillar C7 | C9

Caterpillar C4 | C6

Cummins CP2

Delphi - HR | Sprinter

Denso HP3

Denso HP4

Siemens

Stanadyne

USE YOUR SMARTPHONE CAMERA TO SCAN THE QR CODE AND ACCESS MORE TECHNICAL INFORMATION FROM OUR PRODUCTS IN **ROBIEL** APP.

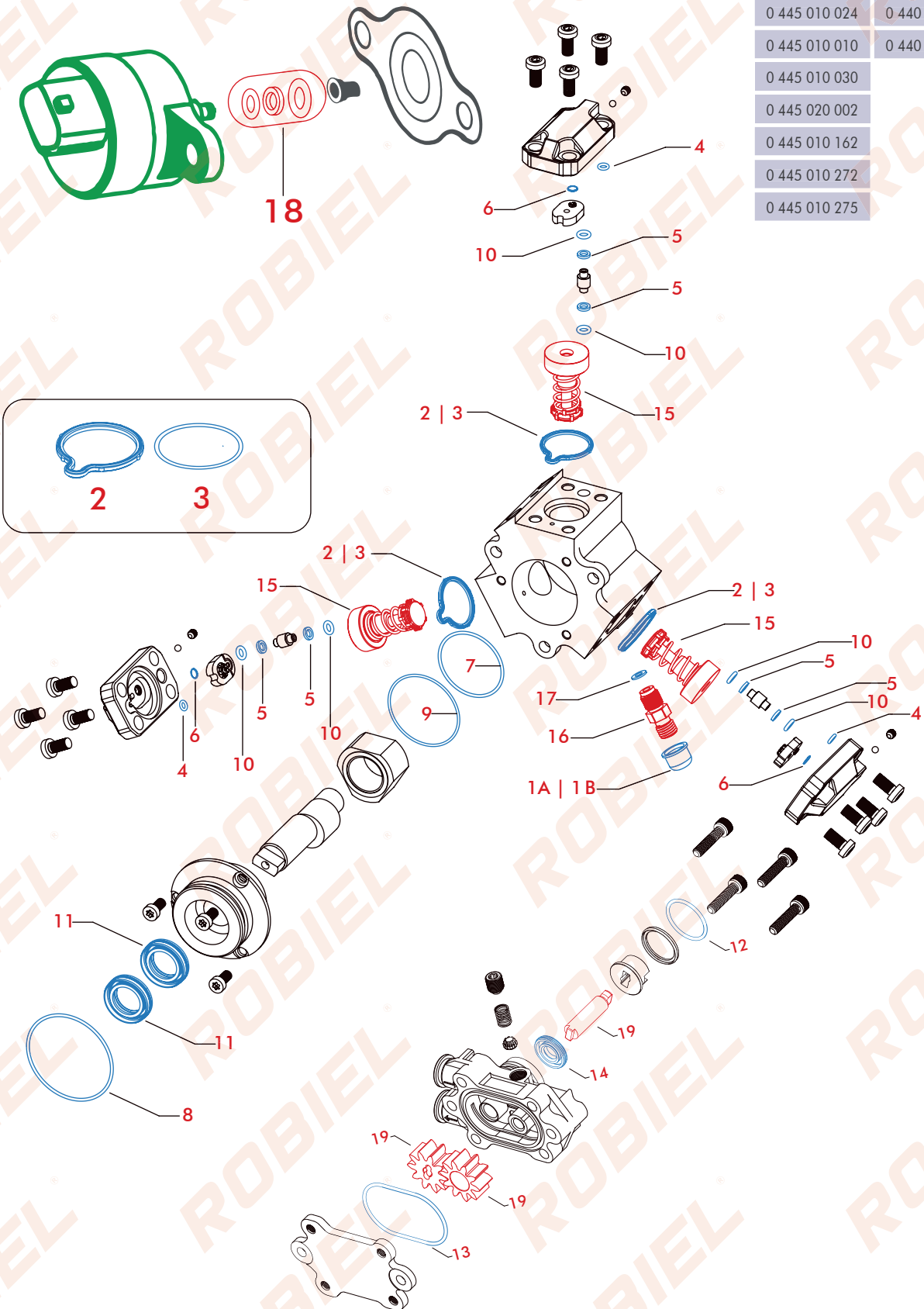
USE LA CÁMARA DE SU TELÉFONO PARA ESCANEAR EL CÓDIGO QR Y OBTENER MÁS INFORMACIONES TÉCNICAS SOBRE LOS PRODUCTOS EN NUESTRA APLICACIÓN **ROBIEL**.

**DOWNLOAD OUR NEW APP**  
DESCARGUE NUESTRA NUEVA APLICACIÓN



## CP1 HIGH PRESSURE PUMP BOMBA DE ALTA PRESIÓN CPI

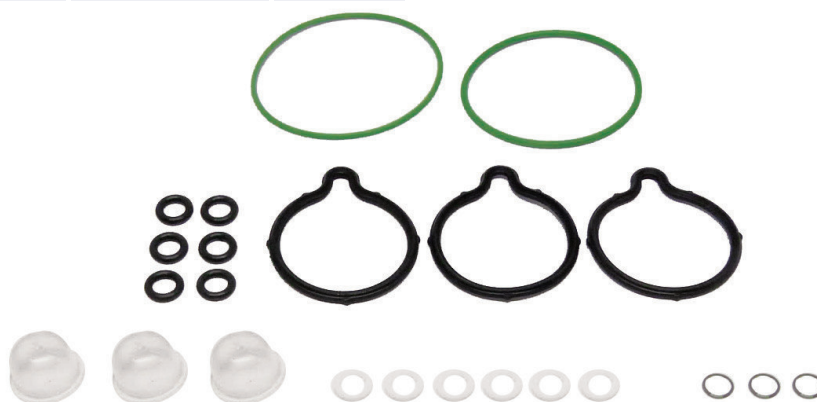
PUMP CODE	GEAR PUMP
0 445 010 024	0 440 020 027
0 445 010 010	0 440 020 088
0 445 010 030	
0 445 020 002	
0 445 010 162	
0 445 010 272	
0 445 010 275	



<b>410.02.75</b>		<b>REPAIR PARTS - CP1 SPRIN HIGH PRESSURE PUMP W/ RETAINER</b>					
		<i>REPARACION BBA ALTA PRESION CP1 SPRINTER C/ RETENES</i>					
REFERENCE		F 01M 100 275   F 00R 0P1 735   F 01M 101 454 - N° BBA 0 445 010 010   282					
N°	ROBIEL CODE	REFERENCE	PACK	N°	ROBIEL CODE	REFERENCE	PACK
<b>1A</b>	220.03.01	1 410 508 011	03un.	<b>8</b>	420.04.630	F 00R 0P0 166	01un.
<b>2</b>	420.05.19	F 00R 0P0 085	03un.	<b>9</b>	420.04.815	F 00R 0P1 106	01un.
<b>5</b>	424.05.09	F 00R 0P0 044	06un.	<b>10</b>	421.00.520	F 00R 0P1 186	06un.
<b>6</b>	805.06.05	F 00R 0P0 743	03un.	<b>11</b>	430.02.031V	F 00R 0P0 253	02un.
<b>7</b>	420.04.418	F 00R 0P1 255	01un.				



<b>410.02.751</b>		<b>REPAIR PARTS - CP1 SPRIN HIGH PRESSURE PUMP WITHOUT RETAINER</b>					
		<i>REPARACION BBA ALTA PRESION CP1 SPRINTER S/ RETENES</i>					
REFERENCE		F 01M 100 275   F 00R 0P1 735   F 01M 101 454 - N° BBA 0 445 010 010   282					
N°	ROBIEL CODE	REFERENCE	PACK	N°	ROBIEL CODE	REFERENCE	PACK
<b>1A</b>	220.03.01	1 410 508 011	03un.	<b>7</b>	420.04.418	F 00R 0P1 255	01un.
<b>2</b>	420.05.19	F 00R 0P0 085	03un.	<b>9</b>	420.04.815	F 00R 0P1 106	01un.
<b>5</b>	424.05.09	F 00R 0P0 044	06un.	<b>10</b>	421.00.520	F 00R 0P1 186	06un.
<b>6</b>	805.06.05	F 00R 0P0 743	03un.				



**410.02.76**

**REPAIR PARTS - CP1 IVECO/DUCATO HIGH PRESSURE PUMP**  
REPARACION BBA ALTA PRESION CP1 IVECO/DUCATO

REFERENCE

F 01M 100 276 | F 01M 101 455 - N° BBA 0 445 020 002

Thread 10.00mm

Thread 14.00mm

Nº	ROBIEL CODE	REFERENCE	PACK	Nº	ROBIEL CODE	REFERENCE	PACK
<b>1A</b>	220.03.01	1.410.508.011 1.900.508.008	03un.	<b>5B</b>	424.05.09	F 00R 0P0 044	06un.
<b>1B</b>	220.03.02	1 900 508 011	04un.	<b>6</b>	805.06.05	F 00R 0P0 743	03un.
<b>3</b>	420.05.22	F 00R 0P0 480	03un.	<b>7</b>	420.04.418	F 00R 0P1 255	01un.
<b>4</b>	420.07.09	F 00R 0P0 577	03un.	<b>9</b>	420.04.815	F 00R 0P1 106	01un.
<b>5A</b>	424.05.09M	F 01M 100 643	06un.	<b>10</b>	421.00.520	F 00R 0P1 186 F 01M 100 389	06un.



**410.02.77**

**REPAIR PARTS - CP1 ACELLO HIGH PRESSURE PUMP**  
REPARACION BBA ALTA PRESION CP1 ACELLO

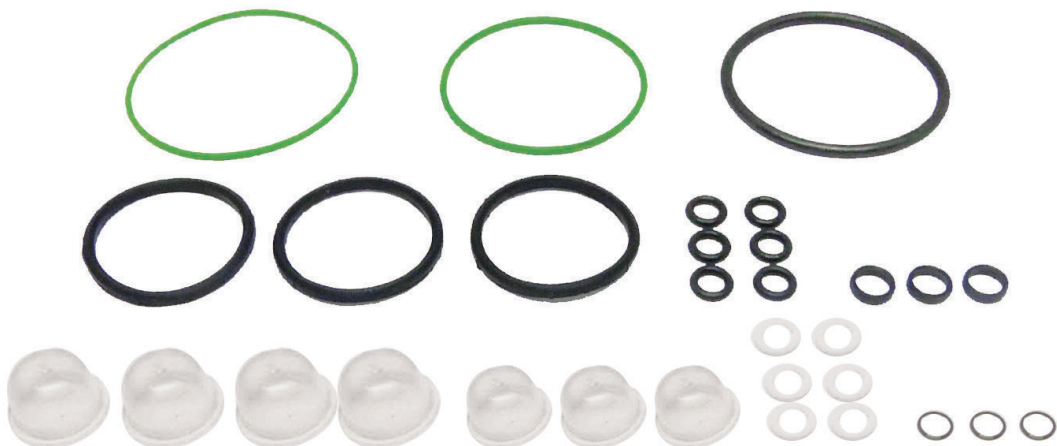
REFERENCE

F 01M 100 277 | F 01M 101 456

Thread 10.00mm

Thread 14.00mm

Nº	ROBIEL CODE	REFERENCE	PACK	Nº	ROBIEL CODE	REFERENCE	PACK
<b>1A</b>	220.03.01	1.410.508.011 1.900.508.008	03un.	<b>6</b>	805.06.05	F 00R 0P0 743	03un.
<b>1B</b>	220.03.02	1 900 508 011	04un.	<b>7</b>	420.04.418	F 00R 0P1 255	01un.
<b>3</b>	420.05.22	F 00R 0P0 480	03un.	<b>8</b>	420.04.630	F 00R 0P0 166	01un.
<b>4</b>	420.07.09	F 00R 0P0 577	03un.	<b>9</b>	420.04.815	F 00R 0P1 106	01un.
<b>5</b>	424.05.09	F 00R 0P0 044	06un.	<b>10</b>	421.00.520	F 00R 0P1 186 F 01M 100 389	06un.



**410.17.381 REPAIR PARTS - CP1 IVECO/DUCATO HIGH PRESSURE PUMP**  
 REPARACION BBA ALTA PRESION CP1 IVECO/DUCATO

GEAR PUMP CODE 0 440 020 027

Nº	ROBIEL CODE	REFERENCE	PACK
12	420.02.620	Ring 26.0x2.0mm	01un.
13	420.04.920	Ring 49.0x2.0mm	01un.
14	430.01.022	Retainer - Retén	01un.



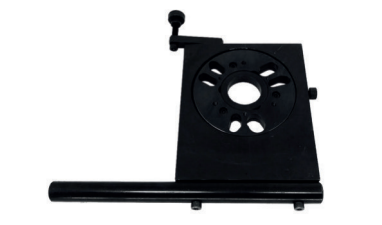
**SPARE PARTS**  
Repuestos

Nº	ROBIEL CODE	REFERENCE	DESCRIPTION	PACK
11	430.02.031V	F 00R 0P0 253	Retainer - VE   CP1 Pumps <i>Retén BBA VE   CP1</i> ØInt: 20.00 x 31.00mm	01un.
15	E00.P1.747	F 00R 0P1 747   F 01M 101 349 F 01M 101 345   F 01M 101 457	Plunger - CP1 High Pressure Pump <i>ELEMENTO de la BBA de Alta Presion CP1</i>	01un.
16	165.03.05	F 00R 0P0 471	Connection - CP1 Common Rail <i>Conexion Del Common Rail CP1</i>	02un.
17	805.09.05	F 00V C17 003   F 00R 0P0 004	Shim - Scania   Volvo   MWM Nozzle - 0.60mm <i>Calzo de la Tobera Scania   Volvo   MWM - 0.60mm</i> ØInt: 5.20 x 9.50mm	12un.
18	410.17.382	F 01M 100 278	Repair Parts - DRV Valve CP1 Common Rail <i>Reparacion Valvula DRV Common Rail CP1</i>	01kit.
19	191.01.02	BBA Baixa 0 440 020 027	Gear Set - Sprinter Fuel Pump <i>Juego de Pinners de la BBA Alimentación Sprinter</i>	01kit.



**323.01.3241**

Rotating Vise W/ Indexer Pin  
*Morsa Giratoria con Pin Index*



**323.01.327**

Holding Bracket  
*Soporte Sujecion Bomba*  
Ø Flange: 50.00mm | 70.00mm



USE YOUR SMARTPHONE CAMERA TO SCAN THE QR CODE AND ACCESS MORE **TECHNICAL INFORMATION** FROM OUR PRODUCTS IN **ROBIEL** APP.

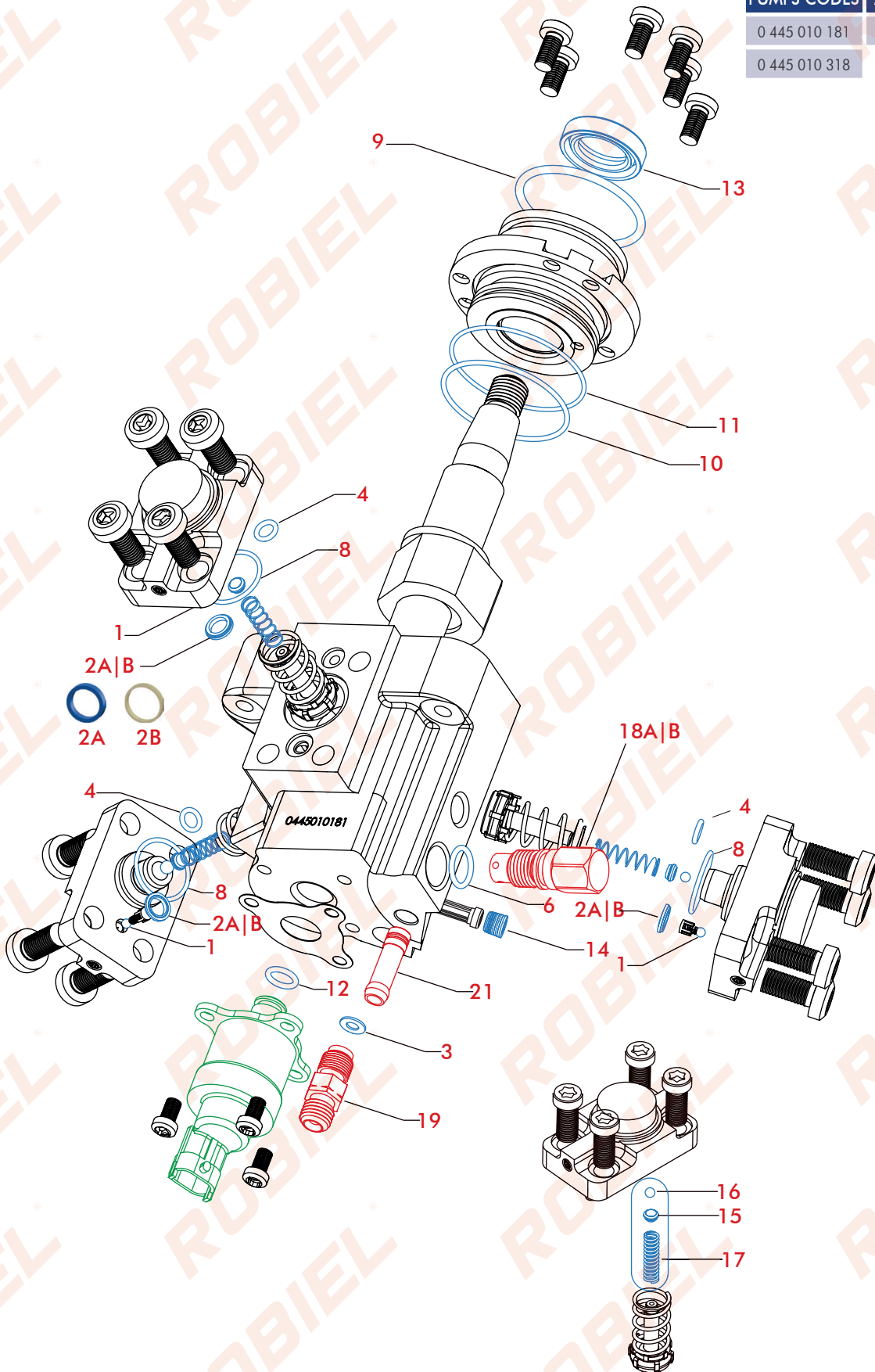
USE LA CÁMARA DE SU TELÉFONO PARA ESCANEAR EL **CÓDIGO QR** Y OBTENER MÁS **INFORMACIONES TÉCNICAS** SOBRE LOS PRODUCTOS EN NUESTRA APLICACIÓN **ROBIEL**.

**DOWNLOAD OUR NEW APP**  
DESCARGUE NUESTRA NUEVA APLICACIÓN



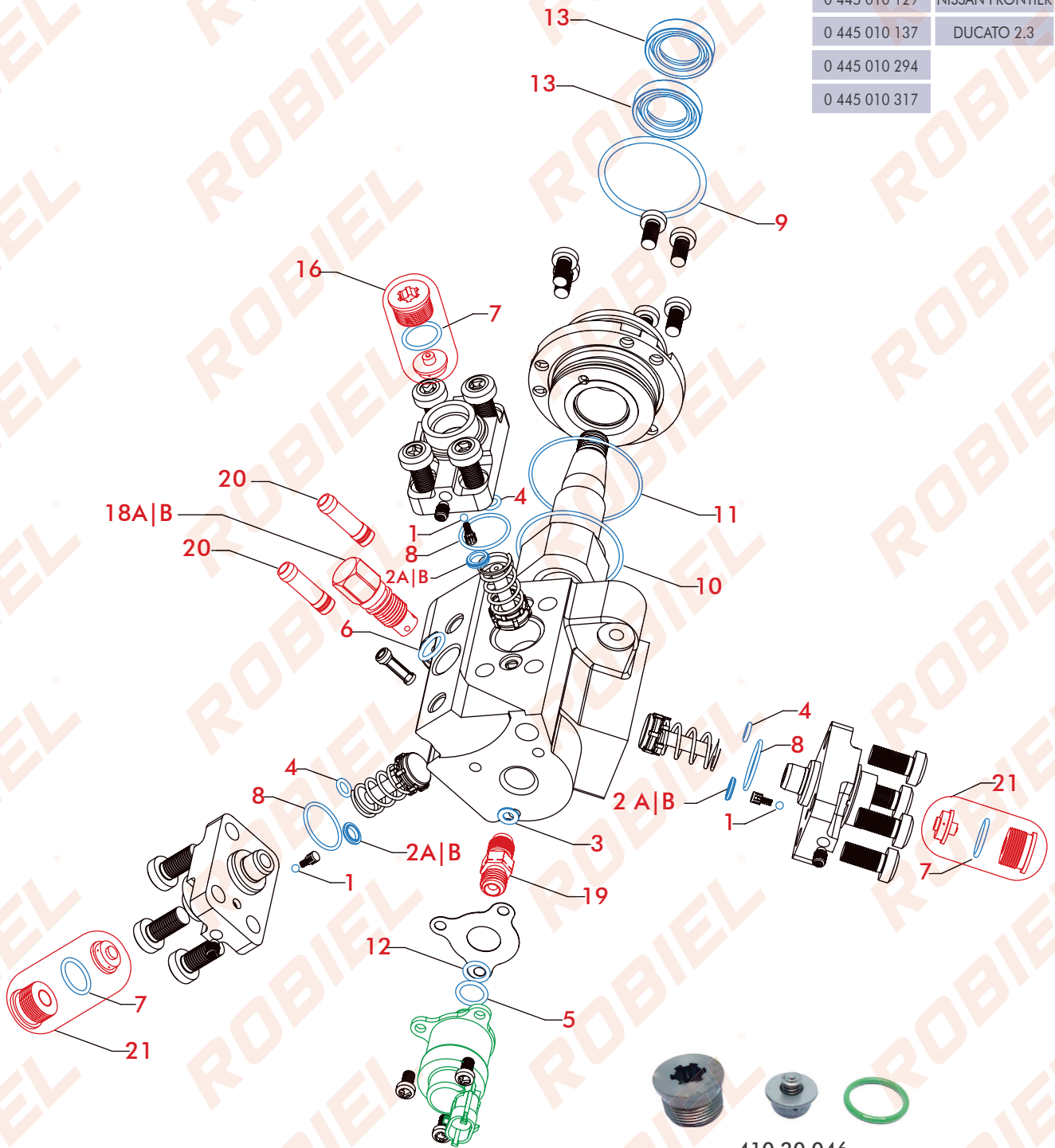
## CP1H HIGH PRESSURE PUMP BOMBA DE ALTA PRESIÓN CP1H

PUMPS CODES	APPLICATION
0 445 010 181	BOXER 2.3
0 445 010 318	



**CP1H HIGH PRESSURE PUMP**  
BOMBA DE ALTA PRESIÓN CP1H

PUMPS CODES	APPLICATION
0 445 010 129	NISSAN FRONTIER
0 445 010 137	DUCATO 2.3
0 445 010 294	
0 445 010 317	



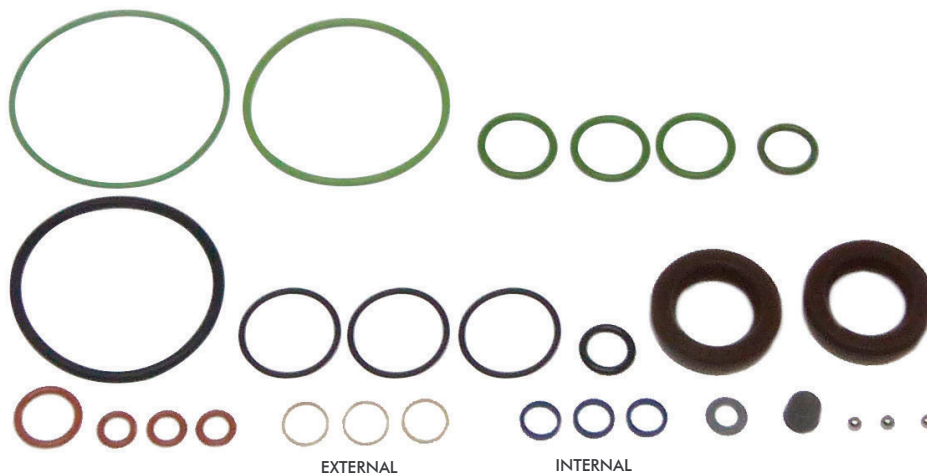
410.20.046  
Repair Parts - CP3 | CP1H Suction Valve  
Reparación Valvula Aspiracion CP3 | CP1H



**410.01.0129** REPAIR PARTS - NISSAN FRONT HIGH PRESSURE PUMP  
 REPARACION BBA ALTA PRESION NISSAN/FRONT

REFERENCE 0 445 010 129 | 0 445 010 181

Nº	ROBIEL CODE	REFERENCE	PACK	Nº	ROBIEL CODE	REFERENCE	PACK
1	190.50.15	1 903 230 406	03un.	8	421.02.115	F 01M 100 050	03un.
2A	421.11.18D	F 01M 100 599	03un.	9	421.04.530	F 01M 100 114	01un.
2B	421.11.18.E	F 01M 100 599 F 01M 102 261	03un.	10	421.04.719	F 01M 100 048	01un.
3	805.09.05	F 00V C17 003 F 00R OPO 004	01un.	11	421.05.115	F 01M 100 371	01un.
4	421.00.615	F 01M 100 049	03un.	12	421.09.020	1 928 300 718	01un.
5	421.01.142	1 928 300 719	01un.	13	430.02.031V	2.460.283.001 F 01M 100 984	02un.
6	421.01.232	1.520.210.115 F 00N 203 596	01un.	14	155.06.08	F 01M 100 180	01un.
7	421.01.620	F 00R OPO 397	03un.				



**410.00.927** REPAIR PARTS - CP1H PUMP CYLINDER COVER  
 REPARACION TAPA CILINDRO BBA CP1H

REFERENCE

Nº	ROBIEL CODE	REFERENCE	PACK
15	103.02.06	F 01M 101 530	03un.
16	190.50.18	F 01M 101 469	03un.
17	225.01.52	F 01M 100 651	03un.





SPARE PARTS Repuestos				
Nº	ROBIEL CODE	REFERENCE	DESCRIPTION	PACK
01	190.50.15	1 903 230 406	Ball Diameter 3.50mm Bolilla de Valvula Diametro 3.50mm	12un.
19	165.03.05	F 00R 0P0 471 F 01M 100 047	Connection - CP1 Common Rail Conexion Del Common Rail CP1	02un.
20	165.03.07	F 00R 0P0 471 F 01M 100 047	Connection - CP1H High Pressure Pump Input Conexion de entrada de la BBA de Alta Presion CP1H	01un.
21	410.20.046	F 00N 200 993   F 00N 200 997 F 00N 201 244	Repair Parts - CP3   CP1H Suction Valve Reparacion Valvula Aspiracion CP3   CP1H	01un.
18A	341.03.20	F 00N 201 320   F 01M 100 749 F 01M 101 223	Overflow Valve - 320 Valvula de Descarga - 320	01un.
18B	341.07.98	F 00N 200 798	Overflow Valve - 798 Valvula de Descarga - 798	01un.
R1	002.84.030	166.84EB30A	Pressure Tube - Pump To Rail Nissan Frontier Tubo Presion BBA Alta Presion Nissan Frontier	01un.

01



19



20



21



18A



18B



R1



**323.50.35**

TOOL SET - CP1H/CP1H3  
BOSCH PUMP  
JUEGO HERRAMIENTA BOMBA  
BOSCH CP1H/CP1H3



**323.50.05**

Tool Set - CP1H Pump Filter  
Juego Herramienta Filtro  
BBA CP1H



**323.02.06**

Tighten / Loosen Tool - CP1H |  
CP3 Pump Bolt  
Herramienta Soltar/Apretar Tapon  
de la BBA CP1H | CP3



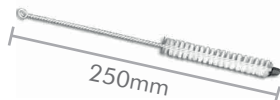
**323.02.13**

Cutting Oil  
Aceite Corte



**323.02.14**

Impact Wrench  
Llave de Impacto



**323.02.12**

Cleaning Brush  
Cepillo de Limpieza  
Ø 10.00mm



**323.02.121**

Cleaning Brush  
Cepillo de Limpieza  
Ø 12.00mm



USE YOUR SMARTPHONE CAMERA TO SCAN THE QR CODE AND ACCESS MORE TECHNICAL INFORMATION FROM OUR PRODUCTS IN **ROBIEL** APP.

USE LA CÁMARA DE SU TELÉFONO PARA ESCANEAR EL CÓDIGO QR Y OBTENER MÁS INFORMACIONES TÉCNICAS SOBRE LOS PRODUCTOS EN NUESTRA APLICACIÓN **ROBIEL**.

DOWNLOAD OUR NEW APP  
DESCARGUE NUESTRA NUEVA APLICACIÓN



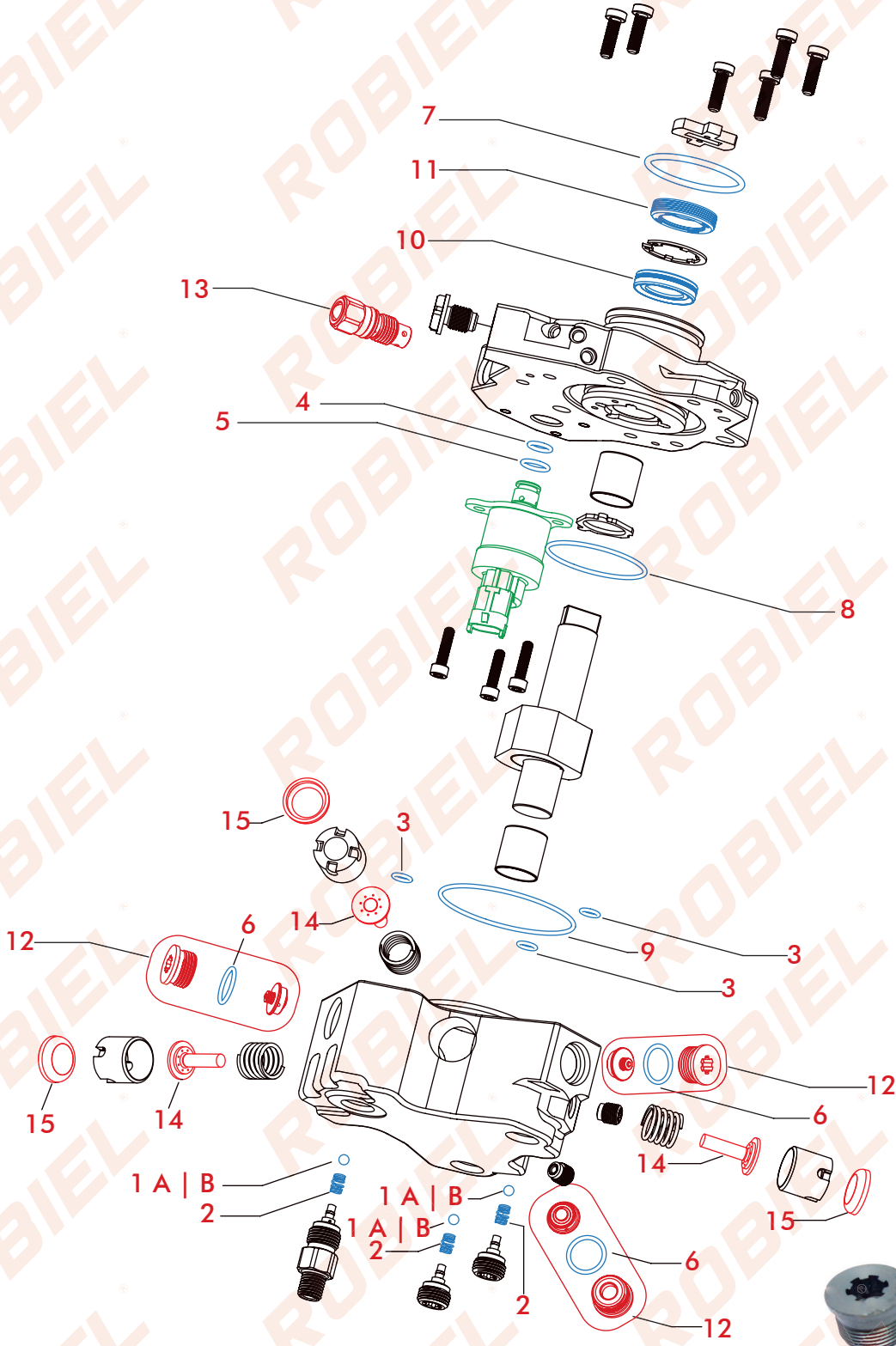
## CP3 HIGH PRESSURE PUMP

BOMBA DE ALTA PRESIÓN CP3

CR | CP3S3 | R75 | 20-8895

PUMP CODE

0 445 020 046



410.20.046

Repair Parts - CP3 | CP1H Suction Valve  
Reparacion Valvula Aspiracion CP3 | CP1H

**410.10.034**

**REPAIR PARTS - CP3/IVECO DAILY HIGH PRESSURE PUMP**  
 REPARACION BBA ALTA PRESION CP3 IVECO DAILY

REFERENCE							
Nº	ROBIEL CODE	REFERENCE	PACK	Nº	ROBIEL CODE	REFERENCE	PACK
<b>1A</b>	190.50.13	1 903 230 009	03un.	<b>7</b>	421.04.530	F 01M 100 114	01un.
<b>2</b>	225.01.51	F 00N 200 700	03un.	<b>8</b>	421.04.820	F 00N 201 473	01un.
<b>3</b>	412.00.718	F 00R OP0 340	03un.	<b>9</b>	421.06.620	F 00R OP0 341	01un.
<b>4</b>	421.00.920	1 928 300 718	01un.	<b>10</b>	430.02.031V	F 00R OP0 253	01un.
<b>5</b>	421.01.120	F 928 300 719	01un.	<b>11</b>	430.02.032	F 00N 202 338	01un.
<b>6</b>	421.01.620	F 00R OP0 397	03un.				



**SPARE PARTS**  
Repuestos

Nº	ROBIEL CODE	REFERENCE	DESCRIPTION	PACK
<b>1A</b>	190.50.13	1 903 230 009	Ball Diameter 5.00mm Bolilla de Valvula Diametro 5.00mm	12un
<b>1B</b>	190.52.03	-	Ceramic Ball Diameter 5.00mm Bolilla Ceramica Diametro 5.00mm	12un
<b>12</b>	410.20.046	F 00N 200 993   F 00N 200 997 F 00N 201 244	Repair Parts - CP3   CP1H Suction Valve Reparacion Valvula Aspiracion CP3   CP1H	01kit
<b>13</b>	341.03.20	F 00N 201 320   F 01M 100 749 F 01M 101 223	Overflow Valve - 320 Valvula de Descarga - 320	01un
<b>14</b>	ECP24.6505	-	Plunger - CP3 Pump Ø6.505mm ELEMENTO de la BBA Ø6.505mm	01un
<b>14</b>	ECP24.6510	-	Plunger - CP3 Pump Ø6.510mm ELEMENTO de la BBA Ø6.510mm	01un
<b>14</b>	ECP24.6515	-	Plunger - CP3 Pump Ø6.515mm ELEMENTO de la BBA Ø6.515mm	01un
<b>15</b>	155.06.09	-	Capsule - CP3 High Pressure Pump - 22.00mm Capsula de la BBA de Alta presion CP3 - 22.00mm	03un



**323.01.3241**

Rotating Vise W/ Indexer Pin  
Morsa Giratoria con Pin Index



**323.01.327**

Holding Bracket  
Soporte Sujecion Bomba  
Ø Flange: 50.00mm | 70.00mm



**323.50.34**

TOOL SET - CP3 BOSCH  
PUMP  
JUEGO HERRAMIENTA BOMBA  
BOSCH CP3



**324.06.50**

Wrench for CP3 Outlet  
Valve Ball  
Llave p/ Tapon de la Bolilla  
Valvula de Salida CP3



**323.02.13**

Cutting Oil  
Aceite Corte



**323.02.06**

Tighten / Loosen Tool - CP1H |  
CP3 Pump Bolt  
Herramienta Soltar/Apertar Tapon  
de la BBA CP1H | CP3





**323.02.14**

Impact Wrench  
Llave de Impacto



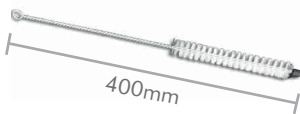
**324.13.26**

Tool to Apply the CP3 High Pressure Pump Capsule  
Herramienta cap BBA Alta Presion CP3  
Ø 22.00mm



**323.02.12**

Cleaning Brush  
Cepillo de Limpieza  
Ø 10.00mm



**323.02.121**

Cleaning Brush  
Cepillo de Limpieza  
Ø 12.00mm



**324.21.065**

Grinding Tool to CP3 Pump Plunger Housing  
Herramienta Rectificar Alojamiento ELEMENTO BBA CP3  
Ø 6.50mm



**324.22.065**

Polishing Tool to CP3 Pump Plunger Housing  
Herramienta Acabamiento Alojamiento ELEMENTO BBA CP3  
Ø 6.50mm



**323.01.57**

Assembly/Disassembly Tool - CP3 Pump  
Herramienta Desmontar/Montar BBA CP3



**324.19.015**

Grinding Tool to CP3 Pump Ball Seat  
Herramienta Rectificar Asiento Bolilla de Valvula BBA CP3  
M16 x 1.5



**324.20.015**

Polishing Tool to CP3 Pump Ball Seat  
Herramienta Acabamiento Asiento Bolilla de Valvula BBA CP3  
M16 x 1.5



**324.17.130**

Grinding Tool to CP3 Suction Valve Seat  
Herramienta Rectificar Asiento Valvula Aspiracion BBA CP3  
M18 x 1.5



**324.18.130**

Polishing Tool to CP3 Suction Valve Seat  
Herramienta Acabamiento Asiento Valvula Aspiracion BBA CP3  
M18 x 1.5



USE YOUR SMARTPHONE CAMERA TO SCAN THE QR CODE AND ACCESS MORE TECHNICAL INFORMATION FROM OUR PRODUCTS IN **ROBIEL** APP.

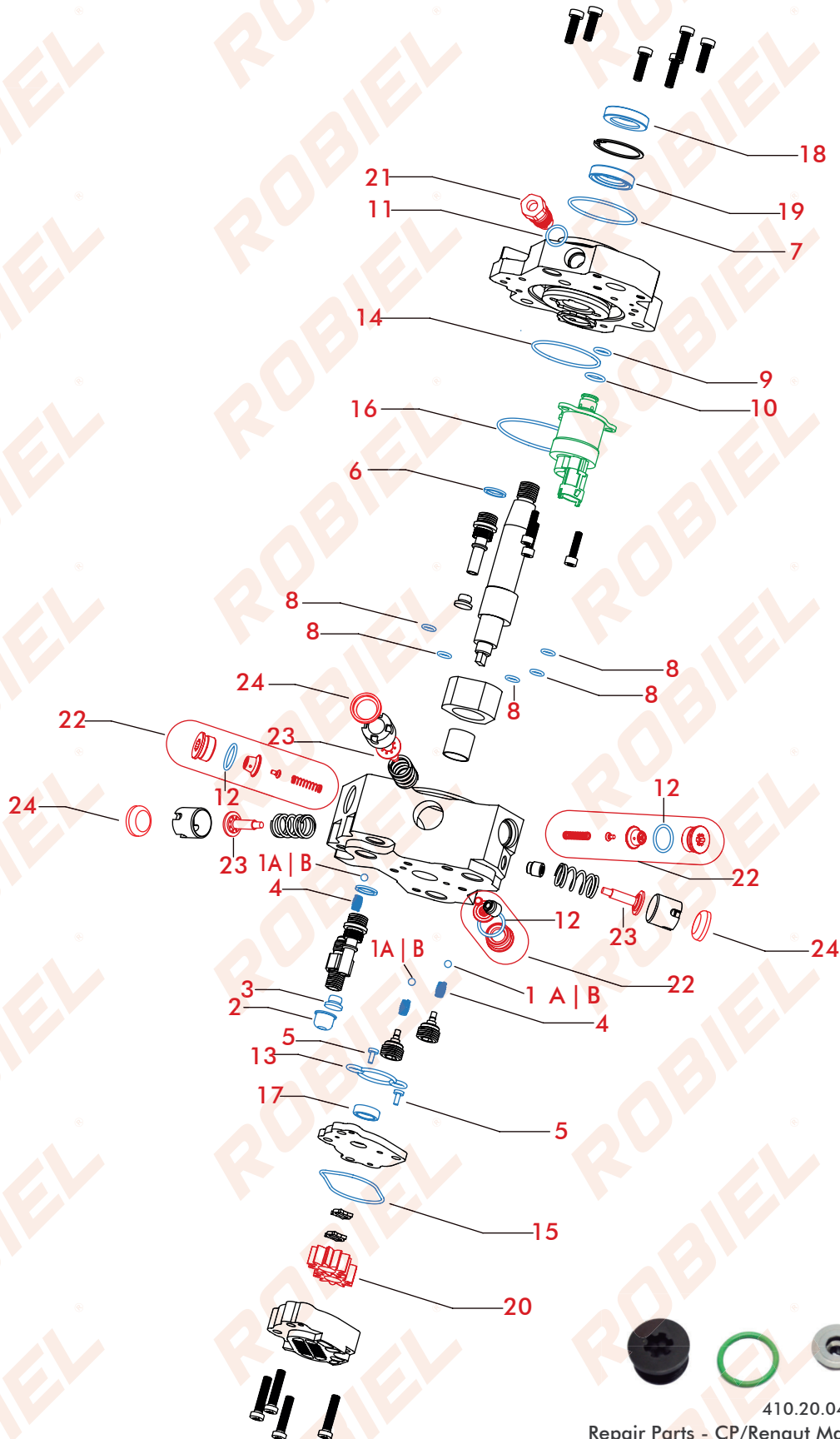
USE LA CÁMARA DE SU TELÉFONO PARA ESCANEAR EL CÓDIGO QR Y OBTENER MÁS INFORMACIONES TÉCNICAS SOBRE LOS PRODUCTOS EN NUESTRA APLICACIÓN **ROBIEL**.

**DOWNLOAD OUR NEW APP**  
DESCARGUE NUESTRA NUEVA APLICACIÓN



## CP3 HIGH PRESSURE PUMP BOMBA DE ALTA PRESIÓN CP3

PUMPS CODES	TYPE
0 445 010 033	WITH GEAR PUMP
0 445 010 048	WITHOUT GEAR PUMP

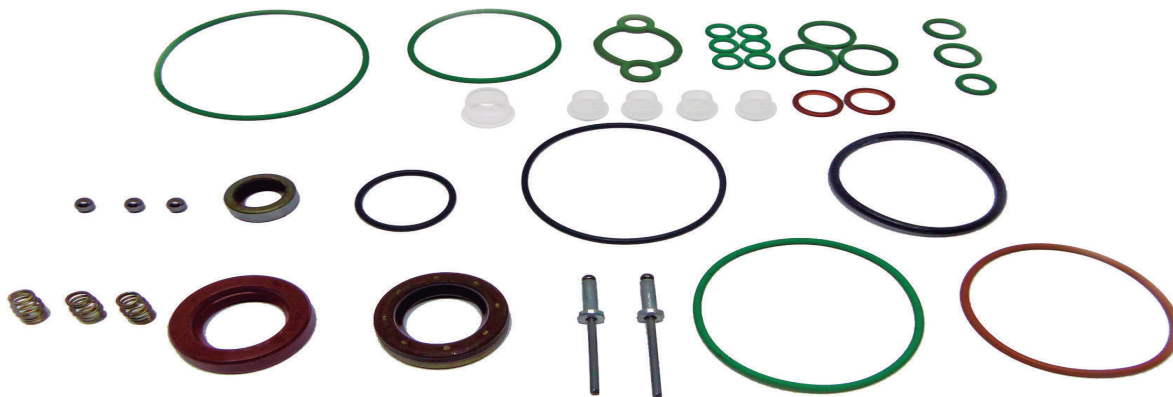


410.20.047  
Repair Parts - CP/Renaut Master Suction Valve  
Reparación Valvula Aspiración CP3/Renaut Master

**410.10.033 REPAIR PARTS - CP3 RENAULT MASTER PUMP COMPLETE**  
 REPARACION BBA CP3 RENAULT MASTER COMPLETA

REFERENCE F 00N 201 973 | 974 | 975 | 976

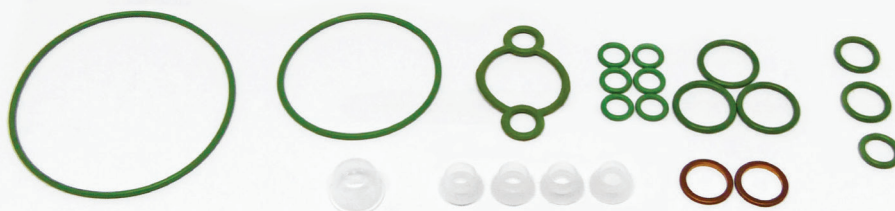
Nº	ROBIEL CODE	REFERENCE	PACK	Nº	ROBIEL CODE	REFERENCE	PACK
<b>1A</b>	190.50.13	1 903 230 009	03un.	<b>12</b>	421.01.620	F 00R OP0 397	03un.
<b>2</b>	220.03.04	-	01un.	<b>13</b>	420.05.27	2 440 210 043	01un.
<b>3</b>	220.03.06	-	04un.	<b>13</b>	421.02.421	2 440 210 039	01un.
<b>4</b>	225.01.51	F 00N 200 700	03un.	<b>14</b>	421.04.719	F 00R OP0 819	01un.
<b>5</b>	321.01.01	-	02un.	<b>14</b>	421.04.820	F 00R OP1 324	01un.
<b>6</b>	612.16.15	2 916 710 607	02un.	<b>14</b>	421.05.320	F 00R OP0 352	01un.
<b>7</b>	420.04.630	F 00R OP0 166	01un.	<b>15</b>	421.05.520	2 440 210 028	01un.
<b>8</b>	412.00.718	F 00R OP0 340	06un.	<b>16</b>	421.06.620	F 00R OP0 341	01un.
<b>9</b>	421.00.920	1 928 300 718	01un.	<b>17</b>	430.01.119	2 440 281 012	01un.
<b>10</b>	421.01.120	1 928 300 719	01un.	<b>18</b>	430.02.032	F 00N 202 338	01un.
<b>11</b>	421.01.220	1 520 210 115	01un.	<b>19</b>	430.02.031V	F 00R OP0 253	01un.



**410.01.973 REPAIR PARTS - CP3 RENAULT MASTER PUMP**  
 REPARACION BBA CP3 RENAULT MASTER

REFERENCE F 00N 201 973

Nº	ROBIEL CODE	REFERENCE	PACK	Nº	ROBIEL CODE	REFERENCE	PACK
<b>2</b>	220.03.04	-	01un.	<b>11</b>	421.01.220	1 520 210 115	01un.
<b>3</b>	220.03.06	-	04un.	<b>12</b>	421.01.620	F 00R OP0 397	03un.
<b>6</b>	612.16.15	2 916 710 607	02un.	<b>13</b>	420.05.27	2 440 210 043	01un.
<b>8</b>	412.00.718	F 00R OP0 340	06un.	<b>14</b>	421.04.719	F 00R OP0 819	01un.
<b>9</b>	421.00.920	1 928 300 718	01un.	<b>16</b>	421.06.620	F 00R OP0 341	01un.
<b>10</b>	421.01.120	1 928 300 719	01un.				



**SPARE PARTS**  
Repuestos

Nº	ROBIEL CODE	REFERENCE	DESCRIPTION	PACK
<b>1A</b>	190.50.13	1 903 230 009	Ball Diameter 5.00mm <i>Bolilla de Valvula Diametro 5.00mm</i>	12un
<b>1B</b>	190.52.03	1 903 230 009	Ceramic Ball Diameter 5.00mm <i>Bolilla Ceramica Diametro 5.00mm</i>	12un
<b>20</b>	191.01.01	-	Gear Set - CP3 Gear Pump <i>Juego de Engrenaje BBA Alimentación CP3</i>	01kit
<b>21</b>	341.07.98	F 00N 200 798	Overflow Valve - 798 <i>Valvula de Descarga - 798</i>	01un
<b>22</b>	410.20.047	F 00N 200 992 - ANTIGO F 00N 201 451   524 - NOVO	Repair Parts - CP3 Suction Valve <i>Reparación Valvula Aspiración CP3</i>	01kit
<b>23</b>	ECP30.6505	-	Plunger - CP3 Pump Ø6.505mm <i>ELEMENTO de la BBA Ø6.505mm</i>	01un
<b>23</b>	ECP30.6510	-	Plunger - CP3 Pump Ø6.510mm <i>ELEMENTO de la BBA Ø6.510mm</i>	01un
<b>23</b>	ECP30.6515	-	Plunger - CP3 Pump Ø6.515mm <i>ELEMENTO de la BBA Ø6.515mm</i>	01un
<b>24</b>	155.06.09	-	Capsule - CP3 High Pressure Pump - 22.00mm <i>Capsula de la BBA de Alta presión CP3 - 22.00mm</i>	03un

**1A**



**1B**



**20**



**21**



**22**



**23**



**24**



**323.01.3241**

Rotating Vise W/ Indexer Pin  
*Morsa Giratoria con Pin Index*



**323.01.327**

Holding Bracket  
*Soporte Sujecion Bomba*  
Ø Flange: 50.00mm | 70.00mm



**323.50.34**

TOOL SET - CP3 BOSCH  
PUMP  
*JUEGO HERRAMIENTA BOMBA  
BOSCH CP3*



**324.06.50**

Wrench for CP3 Outlet  
Valve Ball  
*Llave p/ Tapon de la Bolilla  
Valvula de Salida CP3*



**323.02.13**

Cutting Oil  
*Aceite Corte*



**323.02.06**

Tighten / Loosen Tool - CP1H |  
CP3 Pump Bolt  
*Herramienta Soltar/Aperatar Tapon  
de la BBA CP1H | CP3*







**323.02.14**

Impact Wrench  
Llave de Impacto



**324.13.26**

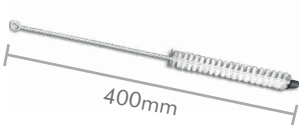
Tool to Apply the CP3 High Pressure Pump Capsule  
Herramienta cap BBA Alta Presion CP3  
Ø 22.00mm



250mm

**323.02.12**

Cleaning Brush  
Cepillo de Limpieza  
Ø 10.00mm



400mm

**323.02.121**

Cleaning Brush  
Cepillo de Limpieza  
Ø 12.00mm



**324.21.065**

Grinding Tool to CP3 Pump Plunger Housing  
Herramienta Rectificar Alojamiento ELEMENTO BBA CP3  
Ø 6.50mm



**324.22.065**

Polishing Tool to CP3 Pump Plunger Housing  
Herramienta Acabamiento Alojamiento ELEMENTO BBA CP3  
Ø 6.50mm



**323.01.57**

Assembly/Disassembly Tool - CP3 Pump  
Herramienta Desmontar/Montar BBA CP3



**324.19.015**

Grinding Tool to CP3 Pump Ball Seat  
Herramienta Rectificar Asiento Bolilla de Valvula BBA CP3  
M16 x 1.5



**324.20.015**

Polishing Tool to CP3 Pump Ball Seat  
Herramienta Acabamiento Asiento Bolilla de Valvula BBA CP3  
M16 x 1.5



**324.17.130**

Grinding Tool to CP3 Suction Valve Seat  
Herramienta Rectificar Asiento Valvula Aspiracion BBA CP3  
M18 x 1.5



**324.18.130**

Polishing Tool to CP3 Suction Valve Seat  
Herramienta Acabamiento Asiento Valvula Aspiracion BBA CP3  
M18 x 1.5



USE YOUR SMARTPHONE CAMERA TO SCAN THE QR CODE AND ACCESS MORE TECHNICAL INFORMATION FROM OUR PRODUCTS IN **ROBIEL** APP.

USE LA CÁMARA DE SU TELÉFONO PARA ESCANEAR EL CÓDIGO QR Y OBTENER MÁS INFORMACIONES TÉCNICAS SOBRE LOS PRODUCTOS EN NUESTRA APLICACIÓN **ROBIEL**.

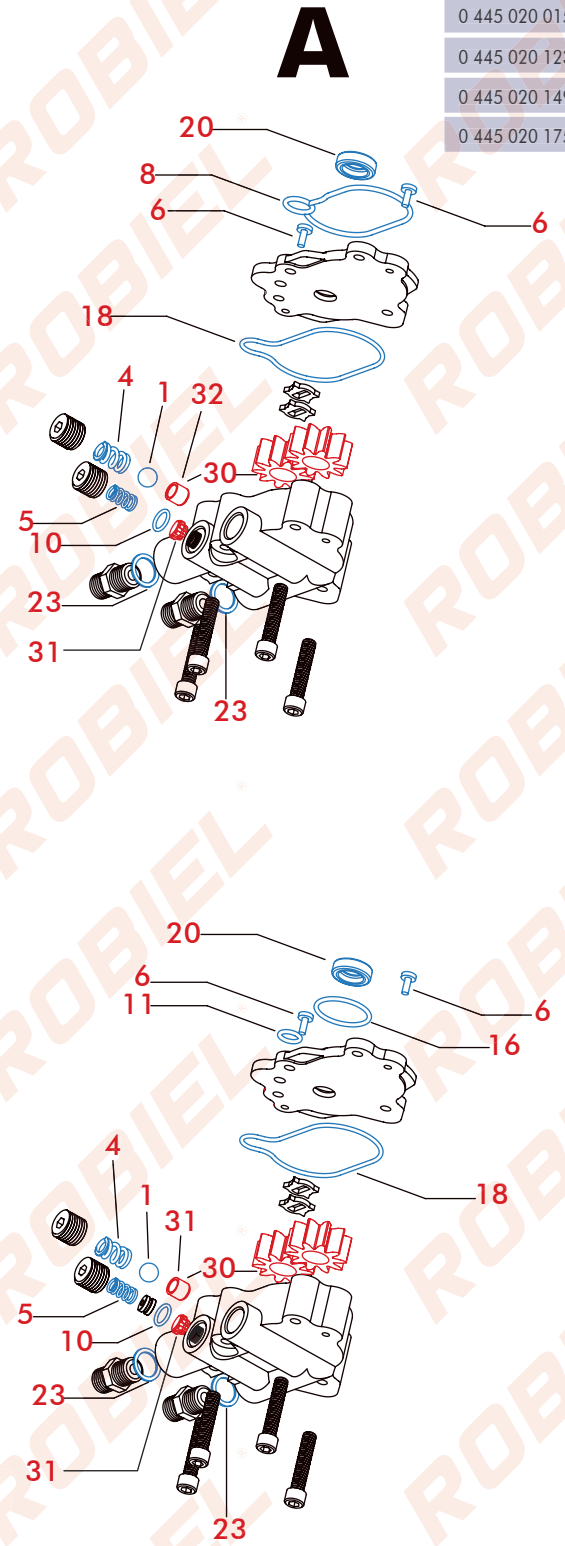
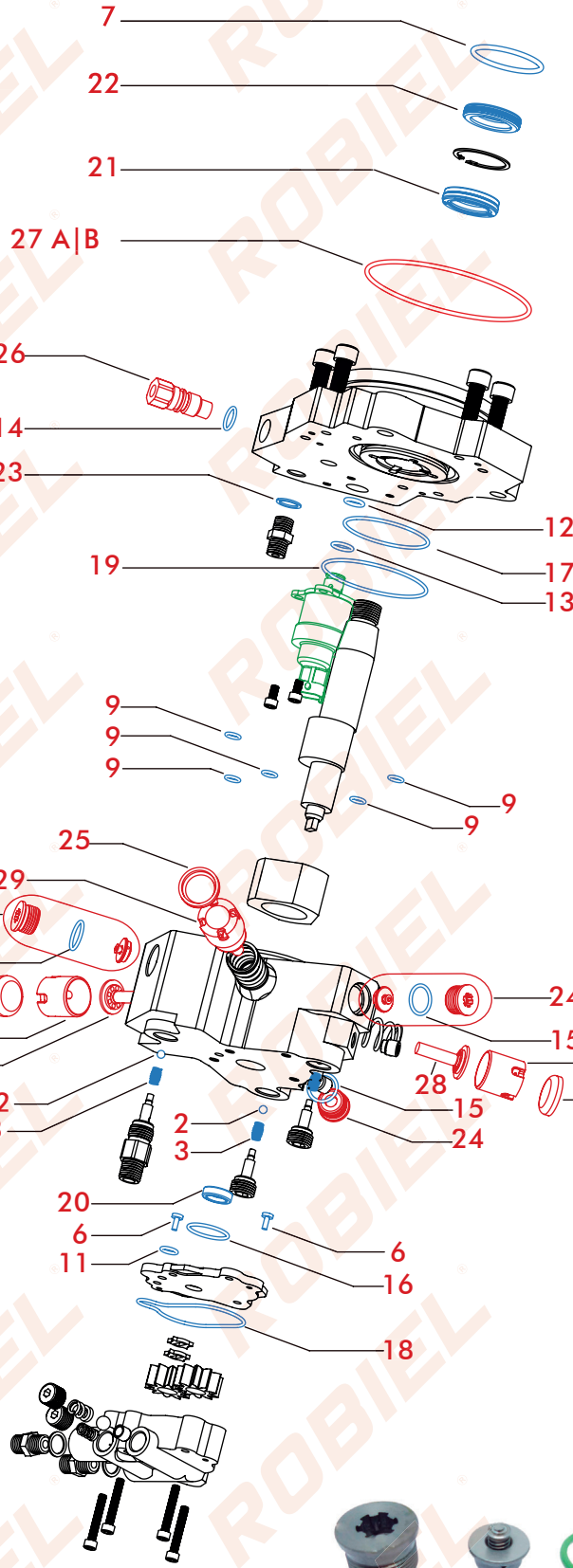
**DOWNLOAD OUR NEW APP**  
DESCARGUE NUESTRA NUEVA APLICACIÓN



## CP3 HIGH PRESSURE PUMP BOMBA DE ALTA PRESIÓN CP3

**PUMPS CODES**

0 445 020 033
0 445 020 007
0 445 020 015
0 445 020 123
0 445 020 149
0 445 020 175



410.20.046

Repair Parts - CP3 | CP1H Suction Valve  
Reparacion Valvula Aspiracion CP3 | CP1H

**410.20.0453**

**REPAIR PARTS - CP3 HIGH PRESSURE PUMP COMPLETE**

REPARACION BOMBA DE ALTA PRESION CP3 COMPLETA

PUMP CODE

0 445 020 033 | 0 445 020 007 | 0 445 020 015 | 0 445 020 123 | 0 445 020 149

Nº	ROBIEL CODE	REFERENCE	PACK	Nº	ROBIEL CODE	REFERENCE	PACK
1	190.50.09	-	01un.	13	421.01.120	1 928 300 719	01un.
2	190.50.13	1 903 230 009	03un.	14	421.01.220	1 520 210 115	01un.
3	225.01.51	F 00N 200 700	03un.	15	421.01.620	F 00R OP0 397	03un.
4	225.02.06	-	01un.	16	421.02.420	2 440 210 039	01un.
5	225.02.07	-	01un.	17	421.05.320	F 00R OP0 352	01un.
6	321.01.01	-	02un.	18	421.05.520	2 440 210 028	01un.
7	420.04.630	F 00R OP0 166	01un.	19	421.06.620	F 00R OP0 341	01un.
8	420.05.29	2 440 210 054	01un.	20	430.01.119	2 440 281 012	01un.
9	421.00.718	F 00R OP0 340	05un.	21	430.02.536	1 460 C85 001 F 00R OP0 521	01pc.
10	421.00.815	-	01un.	22	430.02.537	F 00N 202 337 F 00R OP0 669	01un.
11	421.00.820	2 440 210 037	02un.	23	612.16.15	-	04un.
12	421.00.920	1 928 300 718	01un.	32	140.06.04	-	01un.



**410.20.0441 REPAIR PARTS - CP3 HIGH PRESSURE PUMP**  
 REPARACION BOMBA DE ALTA PRESION CP3

PUMP CODE 0 445 020 033 | 0 445 020 007 | 0 445 020 015 | 0 445 020 115 | 0 445 020 123 | 0 445 020 149

Nº	ROBIEL CODE	REFERENCE	PACK	Nº	ROBIEL CODE	REFERENCE	PACK
2	190.50.13	1 903 230 009	03un.	15	421.01.620	F 00R OPO 397	03un.
3	225.01.51	F 00N 200 700	03un.	16	421.02.420	2 440 210 039	01un.
7	420.04.630	F 00R OPO 166	01un.	17	421.05.320	F 00R OPO 352	01un.
9	421.00.718	F 00R OPO 340	05un.	18	421.05.520	F 00R OPO 352	01un.
11	421.00.820	2 440 210 037	02un.	19	420.05.29	2 440 210 054	01un.
12	421.00.920	1 928 300 718	01un.	21	430.02.536	F 00N 202 658   1 460 C85 001 F 00N OPO 521   1 460 C85 000	01un.
13	421.01.120	1 928 300 719	01un.	22	430.02.537	F 00N 203 874   F 00N 203 873 F 00N 202 337   F 00N 203 538	01un.
14	421.01.220	1.520.210.115 F 00N 203 596	01un.	23	612.16.15	-	04un.



**410.20.0434 REPAIR PARTS - CP3 GEAR PUMP**  
 REPARACION BBA ENGRANAJES CP3

PUMP CODE 0 440 020 096

Nº	ROBIEL CODE	REFERENCE	PACK	Nº	ROBIEL CODE	REFERENCE	PACK
1	190.50.09	-	01un.	11	421.00.820	2 440 210 037	02un.
4	225.02.06	-	01un.	16	421.02.420	2 440 210 039	01un.
5	225.02.07	-	01un.	18	421.05.520	2 440 210 028	01un.
6	321.01.01	-	02un.	20	430.01.119	2 440 281 012	01un.
8	420.05.29	2 440 210 054	01un.	23	612.16.15	-	02un.
10	421.00.815	-	01un.	32	140.06.04	-	01un.



SPARE PARTS Repuestos				
Nº	ROBIEL CODE	REFERENCE	DESCRIPTION	PACK
24	410.20.046	F 00N 200 993   F 00N 201 244 F 00N 200 997	Repair Parts - CP3   CP1H Suction Valve Reparación Valvula Aspiración CP3   CP1H	01kit
25	155.06.07	-	Capsule - CP3 High Pressure Pump - 26.00mm Capsula de la BBA de Alta presión CP3 - 26.00mm	03un
26A	341.07.98	F 00N 200 798	Overflow Valve - 798 Valvula de Descarga - 798	01un
26B	341.03.20	F 00N 201 320   F 01M 100 749 F 01M 101 223	Overflow Valve - 320 Valvula de Descarga - 320	01un
27A	421.07.325	4 891 300	O-Ring Cummins Anillo Cummins	01un
27B	420.10.030	2 410 210 014	O-Ring Cummins Anillo Cummins	05un
28	ECP28.7505	-	Plunger - CP3 High Pressure Pump Ø7.505mm ELEMENTO de la BBA Alta Presion CP3 Ø7.505mm	01un
28	ECP28.7510	-	Plunger - CP3 High Pressure Pump Ø7.510mm ELEMENTO de la BBA Alta Presion CP3 Ø7.510mm	01un
28	ECP28.7515	-	Plunger - CP3 High Pressure Pump Ø7.515mm ELEMENTO de la BBA Alta Presion CP3 Ø7.515mm	01un
28	ECP28.7520	-	Plunger - CP3 High Pressure Pump Ø7.520mm ELEMENTO de la BBA Alta Presion CP3 Ø7.520mm	01un
28	ECP28.7525	-	Plunger - CP3 High Pressure Pump Ø7.525mm ELEMENTO de la BBA Alta Presion CP3 Ø7.525mm	01un
28	ECP28.7530	-	Plunger - CP3 High Pressure Pump Ø7.530mm ELEMENTO de la BBA Alta Presion CP3 Ø7.530mm	01un
29	ECP30.00	F 00R OP0 582	Plunger Piston - CP3 High Pressure Pump Piston ELEMENTO BBA Alta Presion CP3	01un
30	191.01.01	-	Gear Set - CP3 Gear Pump Juego de Engrenaje BBA Alimentación CP3	01kit
31	342.00.03	-	Return Valve - CP3 Low Pressure Valvula de Retencion de la Bomba de Baja Presion CP3	05un
32	140.06.04	-	Bushing - CP3 / Scania Gear Pump Ball Seat Casquillo Asiento Bolilla BBA Alimentation CP3/SCA	05un
R1	342.11.36	CUM4896329 VW2R002001136C	Valve - Return - Cummin Motor Block Valvula Retorno Del Bloque Motor Cummins	01un
R2	002.287.880	CUM3287880	Tube - Pressure - BBA/Rail Cummins Motor Tubo Presion BBA Al Rail Motor Cummins	01un



Parts with this identification form part of the system but are not applied directly to the pump and, for this reason, are not shown on the drawing.



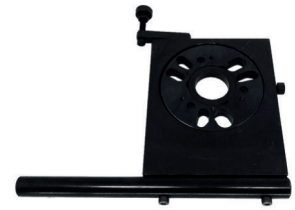
**323.01.3241**

Rotating Vise W/ Indexer Pin  
Morsa Giratoria con Pin Index



**323.01.322**

Assembly/Disassembly Bracket  
- BBA CP3  
Soporte Montar/Desmontar  
BBA CP3  
Ø107.00mm



**323.01.327**

Holding Bracket  
Soporte Sujecion Bomba  
Ø Flange: 50.00mm | 70.00mm



**323.50.34**

TOOL SET - CP3 BOSCH  
PUMP  
JUEGO HERRAMIENTA BOMBA  
BOSCH CP3



**323.01.57**

Assembly/Disassembly Tool -  
CP3 Pump  
Herramienta Desmontar/Montar  
BBA CP3



**323.02.23**

Bushing Replacement Tool  
CP3/Scania Gear Pump  
Herramienta Substitución BBA  
Alimentación CP3/Scania



**324.06.50**

Wrench for CP3 Outlet  
Valve Ball  
Llave p/ Tapon de la Bolilla  
Valvula de Salida CP3



**323.02.13**

Cutting Oil  
Aceite Corte



**323.02.06**

Tighten / Loosen Tool - CP1H |  
CP3 Pump Bolt  
Herramienta Soltar/Apertar Tapon  
de la BBA CP1H | CP3





**323.02.14**

Impact Wrench  
Llave de Impacto



**323.02.17**

Tool to Apply the CP3 High Pressure Pump Capsule  
Herramienta cap BBA Alta Presion CP3  
Ø 26.00mm



**323.02.12**

Cleaning Brush  
Cepillo de Limpieza  
Ø 10.00mm



**323.02.121**

Cleaning Brush  
Cepillo de Limpieza  
Ø 12.00mm



**323.02.25**

Grinding Tool to CP3 Pump Plunger Housing  
Herramienta Rectificar Alojamiento ELEMENTO BBA CP3  
Ø 7.50mm



**323.02.26**

Polishing Tool to CP3 Pump Plunger Housing  
Herramienta Acabamiento Alojamiento ELEMENTO BBA CP3  
Ø 7.50mm



**324.19.015**

Grinding Tool to CP3 Pump Ball Seat  
Herramienta Rectificar Asiento Bolilla de Valvula BBA CP3  
M16 x 1.5



**324.20.015**

Polishing Tool to CP3 Pump Ball Seat  
Herramienta Acabamiento Asiento Bolilla de Valvula BBA CP3  
M16 x 1.5



**324.17.130**

Grinding Tool to CP3 Suction Valve Seat  
Herramienta Rectificar Asiento Valvula Aspiracion BBA CP3  
M18 x 1.5



**324.18.130**

Polishing Tool to CP3 Suction Valve Seat  
Herramienta Acabamiento Asiento Valvula Aspiracion BBA CP3  
M18 x 1.5



USE YOUR SMARTPHONE CAMERA TO SCAN THE QR CODE AND ACCESS MORE TECHNICAL INFORMATION FROM OUR PRODUCTS IN **ROBIEL®** APP.

USE LA CÁMARA DE SU TELÉFONO PARA ESCANEAR EL CÓDIGO QR Y OBTENER MÁS INFORMACIONES TÉCNICAS SOBRE LOS PRODUCTOS EN NUESTRA APLICACIÓN **ROBIEL®**.

**DOWNLOAD OUR NEW APP**  
DESCARGUE NUESTRA NUEVA APLICACIÓN



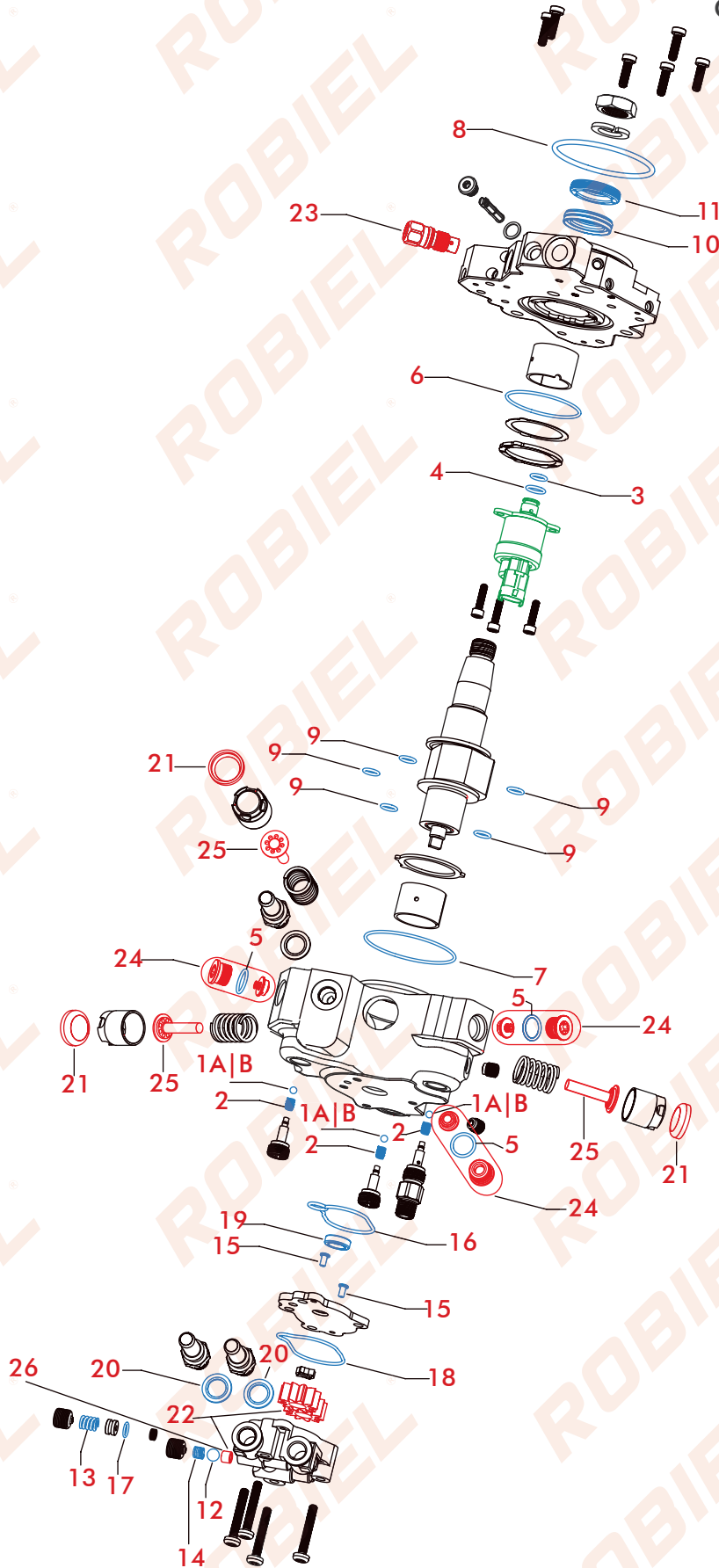
## CP3 HIGH PRESSURE PUMP

BOMBA DE ALTA PRESIÓN CP3

CR|CP3HS3|L110|30-789S

### PUMPS CODES

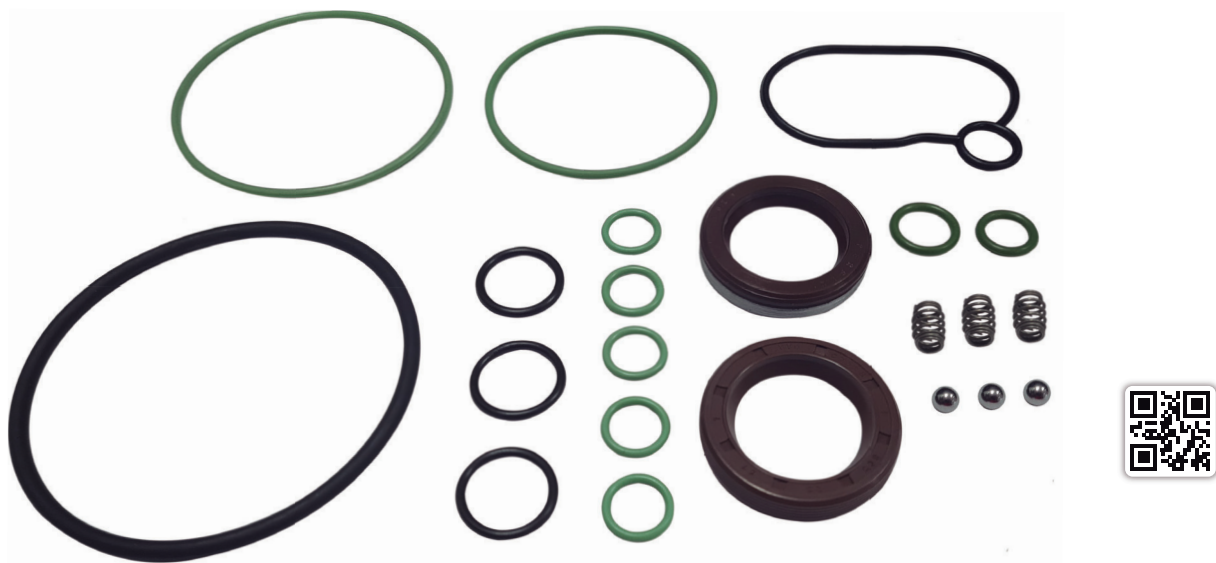
- 0 445 020 129
- 0 445 020 137
- 0 445 020 101
- 0 445 020 167
- 0 445 020 207
- 0 445 020 169





**410.53.129** REPAIR PARTS - CP3 EURO 5 HIGH PRESSURE PUMP  
REPARACION BBA ALTA PRESION CP3 EURO 5

REFERENCE							
Nº	ROBIEL CODE	REFERENCE	PACK	Nº	ROBIEL CODE	REFERENCE	PACK
1A	190.50.13	1 903 230 009	03un.	7	421.06.620	F 00R 0P0 341	01un.
2	225.01.51	F 00N 200 700	03un.	8	421.07.335	F 00N 201 306	01un.
3	421.00.920	1 928 300 718	01un.	9	421.09.818	F 00N 201 745	05un.
4	421.01.120	1 928 300 719	01un.	10	430.02.536	F 00N 202 658   1 460 C85 001 F 00N 0P0 521   1 460 C85 000	01un.
5	421.01.520	-	03un.	11	430.02.537	F 00N 203 874   F 00N 203 873 F 00N 202 337   F 00N 203 538	01un.
6	421.05.320	F 00R 0P0 352	01un.	16	420.05.29	2 440 210 054	01pc.



**410.20.0434** REPAIR PARTS - CP3 GEAR PUMP  
REPARACION BBA ENGRANAJES CP3

PUMP CODE		0 440 020 096					
Nº	ROBIEL CODE	REFERENCE	PACK	Nº	ROBIEL CODE	REFERENCE	PACK
12	190.50.09	-	01un.	16	421.00.820	2 440 210 037	02un.
13	225.02.06	-	01un.	17	421.00.815	-	01un.
14	225.02.07	-	01un.	18	421.05.520	2 440 210 028	01un.
15	321.01.01	-	02un.	19	430.01.119	2 440 281 012	01un.
16	420.05.29	2 440 210 054	01un.	20	612.16.15	-	02un.
16	421.02.420	2 440 210 039	01un.	26	140.06.04	-	01pc.



**SPARE PARTS**  
Repuestos

Nº	ROBIEL CODE	REFERENCE	DESCRIPTION	PACK
21	155.06.07	-	Capsule - CP3 High Pressure Pump - 26.00mm <i>Capsula de la BBA de Alta presión CP3 - 26.00mm</i>	03un
12	190.50.09	-	Ball Diameter 9.00mm <i>Bolilla de Valvula Diametro 9.00mm</i>	12un
1A	190.50.13	1 903 230 009	Ball Diameter 5.00mm <i>Bolilla de Valvula Diametro 5.00mm</i>	12un
1B	190.52.03	-	Ceramic Ball Diameter 5.00mm <i>Bolilla Ceramica Diametro 5.00mm</i>	12un
22	191.01.01	-	Gear Set - CP3 Gear Pump <i>Juego de Engranaje BBA Alimentación CP3</i>	01kit
23	341.04.50	F 00N 202 450	Overflow Valve - 450 <i>Valvula de Descarga - 450</i>	01un
24	410.20.049	F 00N 202 354	Repair Parts - CP3HS3 Suction Valve <i>Reparacion Valvula Aspiracion CP3HS3</i>	01kit
10	430.02.536	F 00N 202 658   1 460 C85 001 F 00N 0P0 521   1 460 C85 000	Retainer - CP3/CP4 - Pajero <i>Retén - CP3/CP4 - Pajero</i>	01un
11	430.02.537	F 00N 203 874   F 00N 203 873 F 00N 202 337   F 00N 203 538	Retainer - CP3 <i>Retén - CP3</i>	01un
25	ECP.34.7505	-	Plunger - CP3 High Pressure Pump Ø7.505mm <i>ELEMENTO de la BBA Alta Presion CP3 Ø7.505mm</i>	01un
25	ECP.34.7510	-	Plunger - CP3 High Pressure Pump Ø7.510mm <i>ELEMENTO de la BBA Alta Presion CP3 Ø7.510mm</i>	01un
25	ECP.34.7515	-	Plunger - CP3 High Pressure Pump Ø7.515mm <i>ELEMENTO de la BBA Alta Presion CP3 Ø7.515mm</i>	01un
25	ECP.34.7520	-	Plunger - CP3 High Pressure Pump Ø7.520mm <i>ELEMENTO de la BBA Alta Presion CP3 Ø7.520mm</i>	01un
25	ECP.34.7525	-	Plunger - CP3 High Pressure Pump Ø7.525mm <i>ELEMENTO de la BBA Alta Presion CP3 Ø7.525mm</i>	01un
25	ECP.34.7530	-	Plunger - CP3 High Pressure Pump Ø7.530mm <i>ELEMENTO de la BBA Alta Presion CP3 Ø7.530mm</i>	01un



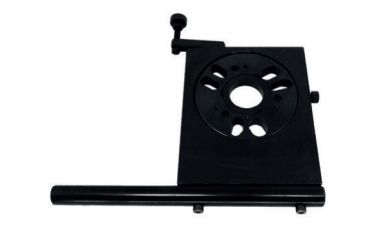
**323.01.3241**

Rotating Vise W/ Indexer Pin  
*Morsa Giratoria con Pin Index*



**323.01.322**

Assembly/Disassembly Bracket  
- BBA CP3  
*Soporte Montar/Desmontar  
BBA CP3*  
Ø107.00mm



**323.01.327**

Holding Bracket  
*Soporte Sujecion Bomba*  
Ø Flange: 50.00mm | 70.00mm



**324.06.50**

Wrench for CP3 Outlet  
Valve Ball  
*Llave p/ Tapon de la Bolilla  
Valvula de Salida CP3*



**323.02.13**

Cutting Oil  
*Aceite Corte*



**323.02.06**

Tighten / Loosen Tool - CP1H |  
CP3 Pump Bolt  
*Herramienta Soltar/Apretar Tapon  
de la BBA CP1H | CP3*





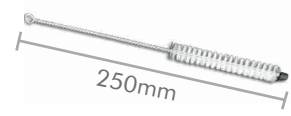
**323.01.571**

Assembly/Disassembly Tool -  
CP3 Pump - EURO 5  
Herramienta Desmontar/Montar  
BBA CP3 - EURO 5



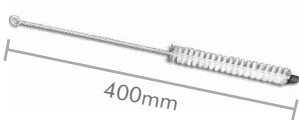
**323.02.17**

Tool to Apply the CP3 High  
Pressure Pump Capsule  
Herramienta cap BBA Alta  
Pression CP3  
Ø 26.00mm



**323.02.12**

Cleaning Brush  
Cepillo de Limpieza  
Ø 10.00mm



**323.02.121**

Cleaning Brush  
Cepillo de Limpieza  
Ø 12.00mm



**323.02.25**

Grinding Tool to CP3 Pump  
Plunger Housing  
Herramienta Rectificar Alojamiento  
ELEMENTO BBA CP3  
Ø 7.50mm



**323.02.26**

Polishing Tool to CP3 Pump  
Plunger Housing  
Herramienta Acabamiento  
Alojamiento ELEMENTO BBA CP3  
Ø 7.50mm



**324.19.015**

Grinding Tool to CP3  
Pump Ball Seat  
Herramienta Rectificar Asiento  
Bolilla de Valvula BBA CP3  
M16 x 1.5



**324.20.015**

Polishing Tool to CP3  
Pump Ball Seat  
Herramienta Acabamiento Asiento  
Bolilla de Valvula BBA CP3  
M16 x 1.5



**323.02.23**

Bushing Replacement Tool  
CP3/Scania Gear Pump  
Herramienta Substitución BBA  
Alimentación CP3/Scania



**323.50.34**

TOOL SET - CP3 BOSCH  
PUMP  
JUEGO HERRAMIENTA BOMBA  
BOSCH CP3



**324.17.115**

Grinding Tool to CP3  
Suction Valve Seat  
Herramienta Rectificar Asiento  
Valvula Aspiracion BBA CP3  
Rosca M16 x 1.0



**324.18.115**

Polishing Tool to CP3  
Suction Valve Seat  
Herramienta Acabamiento Asiento  
Valvula Aspiracion BBA CP3  
Rosca M16 x 1.0



USE YOUR SMARTPHONE CAMERA TO SCAN THE QR CODE AND ACCESS MORE TECHNICAL INFORMATION FROM OUR PRODUCTS IN **ROBIEL®** APP.

USE LA CÁMARA DE SU TELÉFONO PARA ESCANEAR EL CÓDIGO QR Y OBTENER MÁS INFORMACIONES TÉCNICAS SOBRE LOS PRODUCTOS EN NUESTRA APLICACIÓN **ROBIEL®**.

**DOWNLOAD OUR NEW APP**  
DESCARGUE NUESTRA NUEVA APLICACIÓN

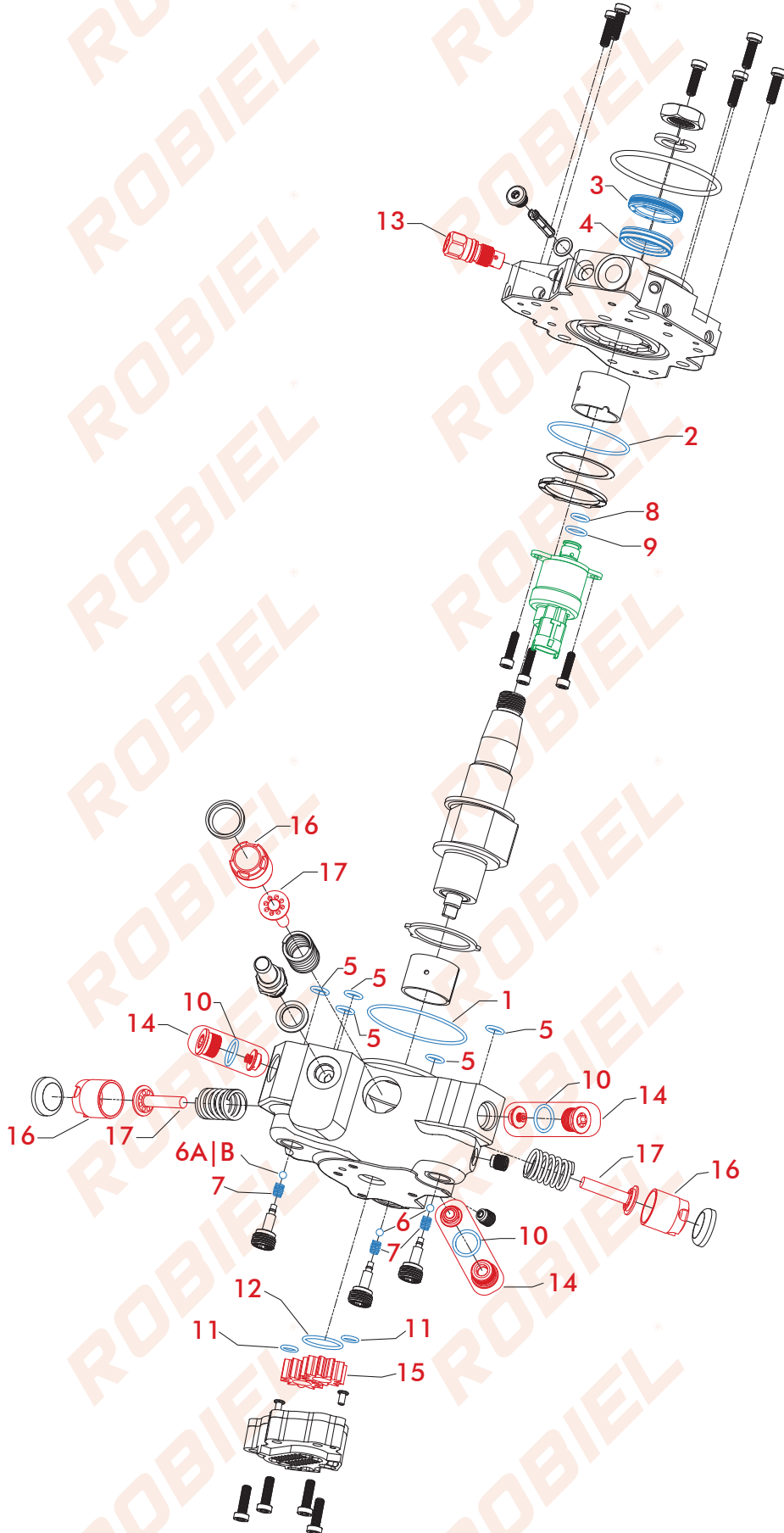


## CP3 HIGH PRESSURE PUMP

BOMBA DE ALTA PRESIÓN CP3

PUMP CODE

0 445 020 005



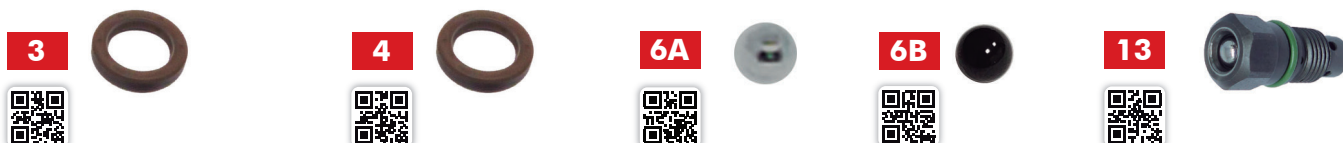
**410.20.005**

**REPAIR PARTS - CP3S3 0 445 020 005 HIGH PRESSURE PUMP**  
 REPARACION BBA ALTA PRESION CP3S3 0 445 020 005

REFERENCE		0 445 020 005					
Nº	ROBIEL CODE	REFERENCE	PACK	Nº	ROBIEL CODE	REFERENCE	PACK
1	421.06.620	F 00R OPO 341	01un.	7	225.01.51	F 00N 200 700	03un.
2	421.05.320	F 00R OPO 352	01un.	8	421.00.920	1 928 300 718	01un.
3	430.02.537	F 00N 203 874   F 00N 203 873 F 00N 202 337   F 00N 203 538	01un.	9	421.01.120	1 928 300 719	01un.
4	430.02.536	F 00N 202 658   1 460 C85 001 F 00N OPO 521   1 460 C85 000	01un.	10	421.01.520	1 410 210 014	03un.
5	421.00.718	F 00R OPO 340	05un.	11	421.00.820	2 440 210 037	02un.
6A	190.50.13	1 903 230 009	03un.	12	421.02.420	2 440 210 039	01un.



SPARE PARTS Repuestos				
Nº	ROBIEL CODE	REFERENCE	DESCRIPTION	PACK
3	430.02.537	F 00N 203 874   F 00N 203 873 F 00N 202 337   F 00N 203 538	Retainer - CP3 Retén - CP3	01un
4	430.02.536	F 00N 202 658   1 460 C85 001 F 00N OPO 521   1 460 C85 000	Retainer - CP3 Retén - CP3	01un
6A	190.50.13	1 903 230 009	Ball Diameter 5.00mm Bolíllia de Valvula Diámetro 5.00mm	12un
6B	190.52.03	-	Ball Diameter 5.00mm Bolíllia de Valvula Diámetro 5.00mm	12un
13	341.07.98	F 00N 200 798	Overflow Valve - 798 Valvula de Descarga - 798	01un
14	410.20.046	F 00N 200 993   F 00N 201 244 F 00N 200 997	Repair Parts - CP3   CP1H Suction Valve Reparacion Valvula Aspiracion CP3   CP1H	01kit
15	191.01.01	-	Gear Set - CP3 Gear Pump Juego de Engranaje BBA Alimentación CP3	01kit
16	ECP.30.00	F 00R OPO 582	Plunger Piston - CP3 High Pressure Pump Piston ELEMENTO BBA Alta Presion CP3	01un
17	ECP.34.7505	-	Plunger - CP3 High Pressure Pump Ø7.505mm ELEMENTO de la BBA Alta Presion CP3 Ø7.505mm	01un
17	ECP.34.7510	-	Plunger - CP3 High Pressure Pump Ø7.510mm ELEMENTO de la BBA Alta Presion CP3 Ø7.510mm	01un
17	ECP.34.7515	-	Plunger - CP3 High Pressure Pump Ø7.515mm ELEMENTO de la BBA Alta Presion CP3 Ø7.515mm	01un
17	ECP.34.7520	-	Plunger - CP3 High Pressure Pump Ø7.520mm ELEMENTO de la BBA Alta Presion CP3 Ø7.520mm	01un
17	ECP.34.7525	-	Plunger - CP3 High Pressure Pump Ø7.525mm ELEMENTO de la BBA Alta Presion CP3 Ø7.525mm	01un
17	ECP.34.7530	-	Plunger - CP3 High Pressure Pump Ø7.530mm ELEMENTO de la BBA Alta Presion CP3 Ø7.530mm	01un




**323.01.3241**  
Rotating Vise W/ Indexer Pin  
Morsa Giratoria con Pin Index




**323.50.34**  
TOOL SET - CP3 BOSCH  
PUMP  
JUEGO HERRAMIENTA BOMBA  
BOSCH CP3




**323.02.13**  
Cutting Oil  
Aceite Corte




**324.06.50**  
Wrench for CP3 Outlet  
Valve Ball  
Llave p/ Tapon de la Bolilla  
Valvula de Salida CP3



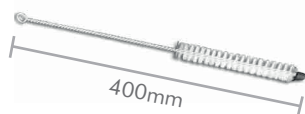

**323.02.06**  
Tighten / Loosen Tool - CP1H |  
CP3 Pump Bolt  
Herramienta Soltar/Apertar Tapon  
de la BBA CP1H | CP3





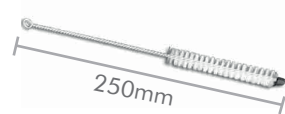
**323.01.571**

Assembly/Disassembly Tool -  
CP3 Pump - EURO 5  
Herramienta Desmontar/Montar  
BBA CP3 - EURO 5



**323.02.121**

Cleaning Brush  
Cepillo de Limpieza  
Ø 12.00mm



**323.02.12**

Cleaning Brush  
Cepillo de Limpieza  
Ø 10.00mm



**323.02.25**

Grinding Tool to CP3 Pump  
Plunger Housing  
Herramienta Rectificar Alojamiento  
ELEMENTO BBA CP3  
Ø 7.50mm



**323.02.26**

Polishing Tool to CP3 Pump  
Plunger Housing  
Herramienta Acabamiento  
Alojamiento ELEMENTO BBA CP3  
Ø 7.50mm



**324.19.015**

Grinding Tool to CP3  
Pump Ball Seat  
Herramienta Rectificar Asiento  
Bolilla de Valvula BBA CP3  
M16 x 1.5



**324.20.015**

Polishing Tool to CP3  
Pump Ball Seat  
Herramienta Acabamiento Asiento  
Bolilla de Valvula BBA CP3  
M16 x 1.5



**324.17.130**

Grinding Tool to CP3  
Suction Valve Seat  
Herramienta Rectificar Asiento  
Valvula Aspiracion BBA CP3  
M18 x 1.5



**324.18.130**

Polishing Tool to CP3  
Suction Valve Seat  
Herramienta Acabamiento Asiento  
Valvula Aspiracion BBA CP3  
M18 x 1.5



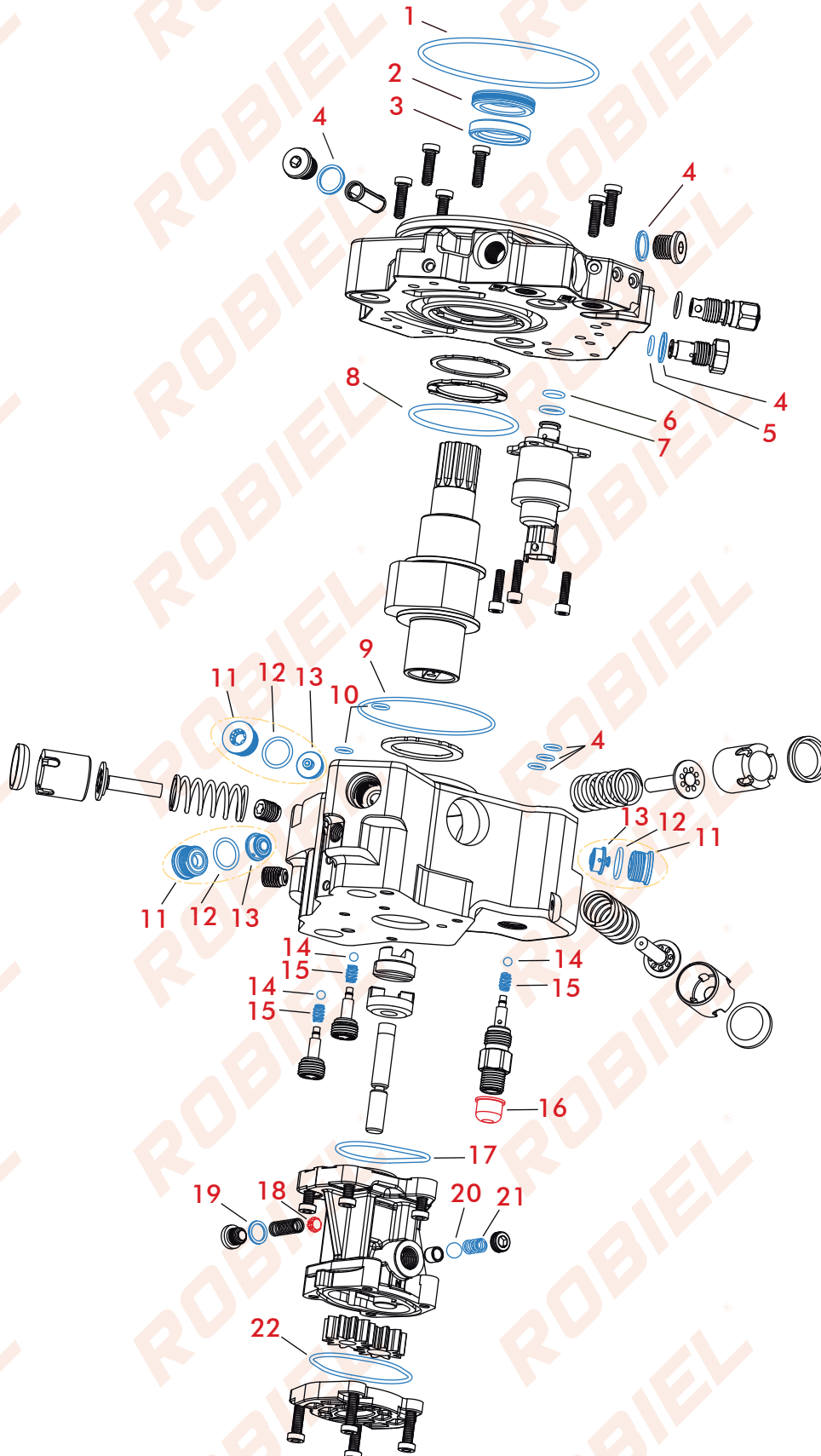
UTILIZE A CÂMERA DO SEU CELULAR PARA ESCANEAR O QR CODE E OBTER MAIS INFORMAÇÕES TÉCNICAS DOS PRODUTOS EM NOSSO APLICATIVO **ROBIEL**

BAIXE NOSSO NOVO APP



## CP3 MAN HIGH PRESSURE PUMP

BOMBA DE ALTA PRESIÓN CP3 MAN

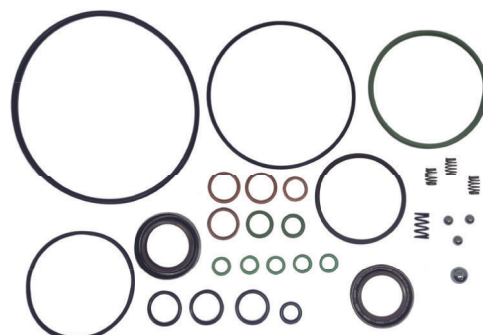




**410.20.075**

**Repair Parts - Bosch CP3S3-075 High Pressure Pump**  
 REPARACION BOMBA DE ALTA PRESIÓN BOSCH CP3S3-075

REFERENCE				
Nº	ROBIEL CODE	REFERENCE	DESCRIPTION	PACK
1	421.10.031	-	O-ring - Anillo	01pç.
2	430.02.537	F 00N 203 874   F 00N 203 873 F 00N 202 337   F 00N 203 538	Retainer - Retén	01pç.
3	430.02.536	F 00N 202 658   1 460 C85 001 F 00N 0P0 521   1 460 C85 000	Retainer - Retén	01pç.
4	614.18.15	-	Washer - Arandela	03pç.
5	421.00.820	-	O-ring - Anillo	01pç.
6	421.00.920	-	O-ring - Anillo	01pç.
7	421.01.120	-	O-ring - Anillo	01pç.
8	421.59.30	-	O-ring - Anillo	01pç.
9	421.78.20	-	O-ring - Anillo	01pç.
10	421.00.718	-	O-ring - Anillo	05pç.
12	421.01.520	-	O-ring - Anillo	03pç.
14	190.50.13	-	Ball - Anillo	06pç.
15	225.01.51	-	Spring - Resorte	03pç.
17	421.04.624	-	O-ring - Anillo	01pç.
19	610.14.15	-	Washer - Arandela	02pç.
20	190.50.09	-	Ball - Anillo	01pç.
21	225.02.07	-	Spring - Resorte	01pç.
22	421.05.422	-	O-ring - Anillo	02pç.



**SPARE PARTS**  
 Repuestos

Nº	ROBIEL CODE	REFERENCE	DESCRIPTION	PACK
16	220.03.01	1.410.508.011 1.900.508.008	Protective CAP "A" - Thread 10.0mm Tapa de Protección A - Rosca 10.0mm	01ct.
18	342.00.03	-	Non Return Valve - CP3 Low Pressure Valvula de Retencion de La Bomba De Baja Presion CP3	05pç.

16



18



**324.17.031**

Grinding tool to CP3S3-075 MAN  
Suction Valve Seat  
Herramienta Rectificar  
Asiento Valv Aspiracion  
CP3S3-075 Man



**324.17.129P**

Grinding Tip to CP3S2-075 MAN  
Puntera Rectificar  
Asiento Valv Aspiración  
CP3S3-075 MAN



**324.18.031**

Polishing Tool to CP3S3-075 MAN  
Suction Valve Seat  
Herramienta Acabamiento  
Asiento Valvula Aspiracion  
CP3S3-075 Man



**324.18.129P**

Polishing Tip to CP3S2-075 MAN  
Puntera Acabamiento  
Asiento Valv Aspiración  
CP3S3-075 MAN



USE YOUR SMARTPHONE CAMERA TO SCAN THE QR CODE AND ACCESS MORE **TECHNICAL INFORMATION** FROM OUR PRODUCTS IN **ROBIEL®** APP.

USE LA CÁMARA DE SU TELÉFONO PARA ESCANEAR EL **CÓDIGO QR** Y OBTENER MÁS **INFORMACIONES TÉCNICAS** SOBRE LOS PRODUCTOS EN NUESTRA APLICACIÓN **ROBIEL®**.

**DOWNLOAD OUR NEW APP**  
DESCARGUE NUESTRA NUEVA APLICACIÓN



## CP4 HIGH PRESSURE PUMP

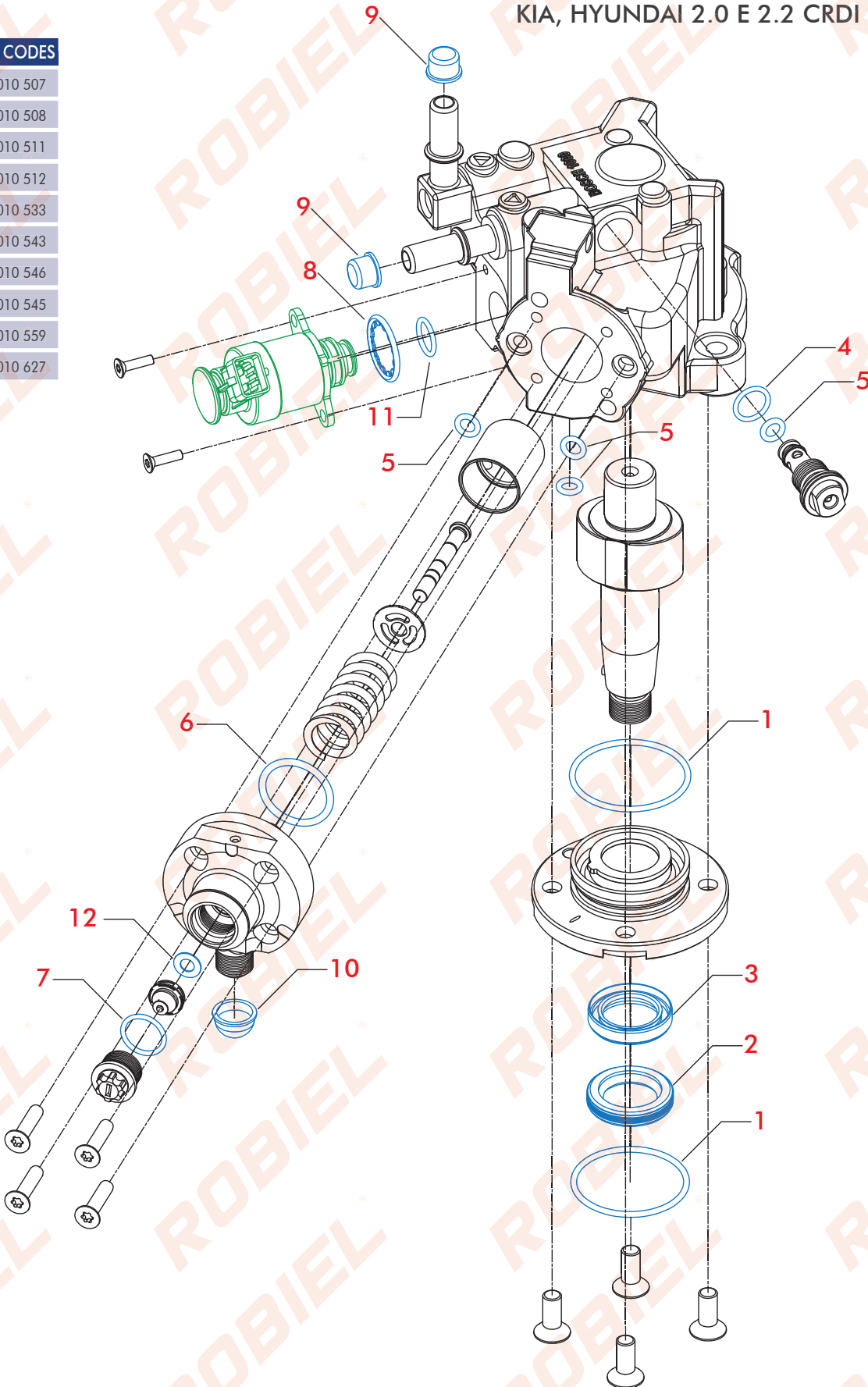
BOMBA DE ALTA PRESIÓN CP4

AMAROK 2.0 TDI 16 V

KIA, HYUNDAI 2.0 E 2.2 CRDI - SANTA FÉ

### PUMPS CODES

- 0 445 010 507
- 0 445 010 508
- 0 445 010 511
- 0 445 010 512
- 0 445 010 533
- 0 445 010 543
- 0 445 010 546
- 0 445 010 545
- 0 445 010 559
- 0 445 010 627



**410.10.508**

**REPAIR PARTS - CP4 HIGH PRESSURE PUMP - AMAROK**

REPARACION BOMBA DE ALTA PRESION CP4 - AMAROK

REFERENCE				
Nº	ROBIEL CODE	REFERENCE	DESCRIPTION	PACK
1	421.04.624	023 997 65 48	O-ring - Anillo	02un
2	430.02.537	F 00R 0P0 521	Retainer - Retén	01un
3	430.02.536	F 00R 0P0 669	Retainer - Retén	01un
4	421.01.320	1 460 C15 003	O-ring - Anillo	01un
5	421.00.724	1 460 C15 001	O-ring - Anillo	04un
6	421.29.030	-	O-ring - Anillo	02un
7	421.01.620	F 00R 0P0 397	O-ring - Anillo	02un
8	421.24.245	1 928 301 161	O-ring - Anillo	01un
9	220.03.01	1 410 508 011	Protective Cap - Tapa Protecciona 11.00x13.00mm	02un
10	220.03.03	-	Protective Cap - Tapa Protecciona 15.50x17.00mm	02un
11	421.01.220	1 928 300 717	O-ring - Anillo	01un
12	806.12.06	-	Shim - Calzo	02un



**324.17.030**

Grinding Tool to CP4 Suction Valve Seat  
Herramienta Rectificar Asiento Valv Aspiracion CP4



**324.17.1151**

Tip for Grinding Tool to Suction Valve Seat M16x1.00mm  
Puntera para Rectificar Asiento Valv Aspiracion - M16x1.00mm



**324.18.030**

Polishing Tool to CP4 Suction Valve Seat  
Herramienta Acabamiento Asiento Valv Aspiracion CP4



**324.18.1151**

Tip for Polishing Tool to Suction Valve Seat M16x1.00mm  
Puntera Acabamiento Asiento Valv Aspiracion - M16x1.00mm



# CONSULT THE **APPLICATIONS** OF THE PRODUCTS **ROBIEL**<sup>®</sup>



**DOWNLOAD NOW!**



[WWW.ROBIEL.COM](http://WWW.ROBIEL.COM)

USE YOUR SMARTPHONE CAMERA TO SCAN THE QR CODE AND ACCESS MORE **TECHNICAL INFORMATION** FROM OUR PRODUCTS IN **ROBIEL** APP.

USE LA CÁMARA DE SU TELÉFONO PARA ESCANEAR EL CÓDIGO QR Y OBTENER MÁS **INFORMACIONES TÉCNICAS** SOBRE LOS PRODUCTOS EN NUESTRA APLICACIÓN **ROBIEL**.

**DOWNLOAD OUR NEW APP**  
DESCARGUE NUESTRA NUEVA APLICACIÓN



## CATERPILLAR | PERKINS HIGH PRESSURE PUMP

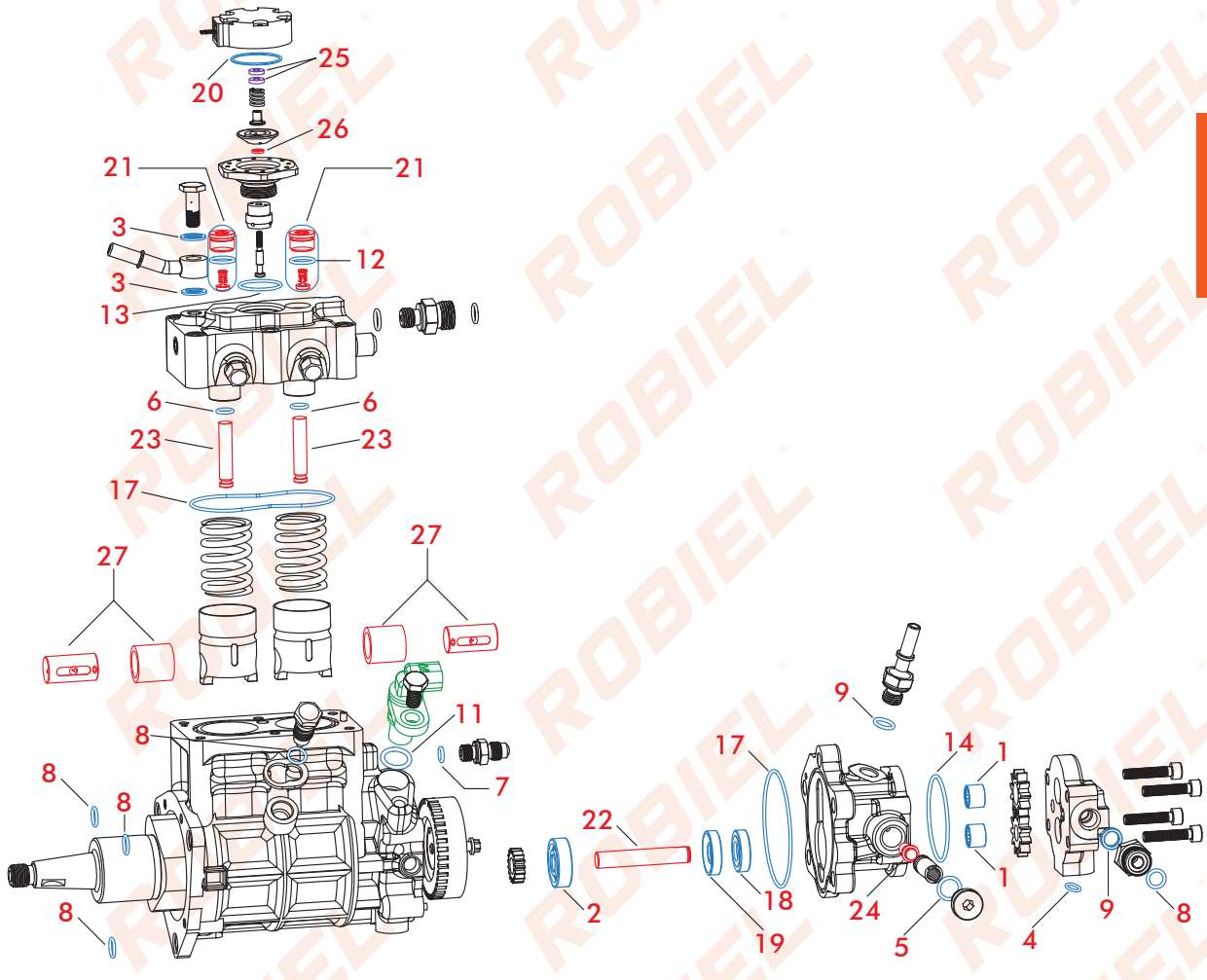
BOMBA DE ALTA PRESIÓN CATERPILLAR | PERKINS

**PUMP CODE**

317-8021

324-0532

326-4635



**410.20.052**

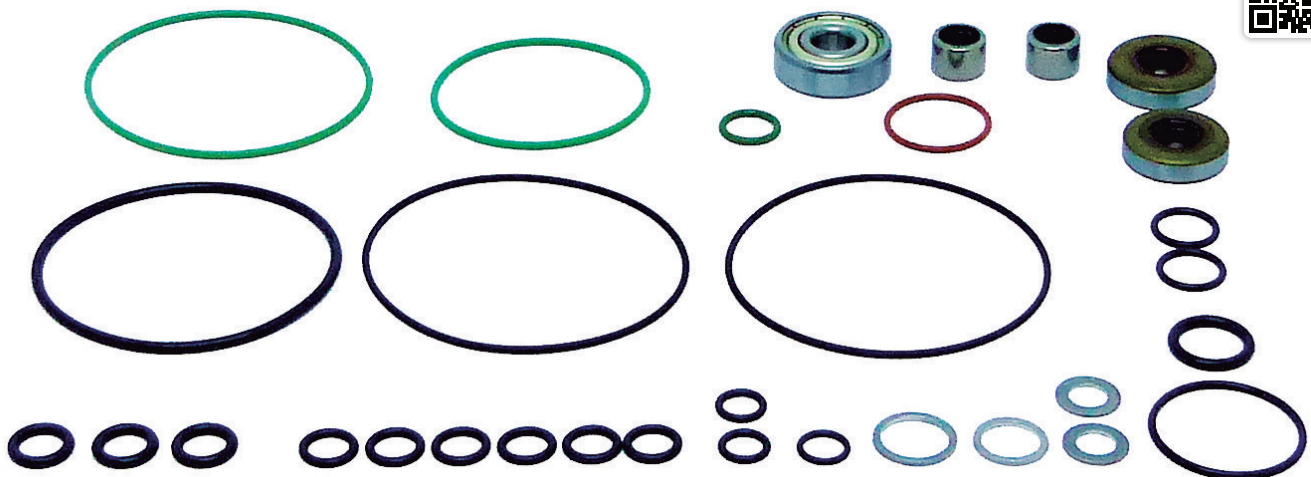
Repair Parts - Caterpillar Suction Valve  
Reparación Valvula Aspiración Caterpillar

**410.60.6351**

**REPAIR PARTS - CATERPILLAR HIGH PRESSURE PUMP COMPLETE**  
REPARACION BBA ALTA PRESION CATERPILLAR COMPLETA

REFERENCE							
Nº	ROBIEL CODE	REFERENCE	PACK	Nº	CÓD. ROBIEL	REFERÊNCIA	EMB.
1	321.00.04	-	02un.	11	421.01.426	-	01un.
2	321.00.06	-	01un.	12	421.01.218	-	02un.
3	508.14.10	-	02un.	13	421.02.317	-	01un.
4	512.16.15	-	01un.	14	421.05.020	-	01un.
5	514.18.15	-	01un.	15	421.06.226	-	01un.
6	421.00.717	-	02un.	16	421.06.618	-	01un.
7	421.00.831	-	01un.	17	421.06.917*	-	02un.
8	421.00.852	-	06un.	18	430.01.025	-	01un.
9	421.00.925	F 00H N35 985	03un.	19	430.01.027	-	01un.
10	421.01.142	-	01un.	20	421.02.912	-	01un.

\* This ring is used in other pump type.  
\* Anillo utilizado en otro tipo de bomba de alimentación.



**25**

**ADJUSTMENT SHIM**

CALZO DE AJUSTE

Ø Int.: 3.00 Ø Ext.: 8.00



ROBIEL CODE	REFERENCE	THICKNESS(mm)
803.09.15*	2 430 101 825	1.50
803.09.155*	2 430 101 827	1.55
803.09.16*	2 430 101 830	1.60
803.09.165*	2 430 101 833	1.65
803.09.17*	2 430 101 835	1.70
803.09.175*	2 430 101 837	1.75
803.09.18*	2 430 102 380	1.80
803.09.185*	2 430 101 845	1.85
803.09.19*	2 430 101 845	1.90
803.09.195*	2 430 101 847	1.95
803.09.20*	2 430 101 849	2.00

**12 UNITS**

\*For correct application, use a combination of two shims to achieve the desired thickness.

**SPARE PARTS**  
Repuestos

Nº	ROBIEL CODE	REFERENCE	DESCRIPTION	PACK
21	410.20.052	-	Repair Parts - Caterpillar Suction Valve <i>Reparación Valvula Aspiracion Caterpillar</i>	01kit
22	190.03.153	-	Shaft - Caterpillar Gear Pump W/ Lock and key <i>Eje de la BBA Alimentación Caterpillar c/ Bloqueo e Llaveta</i>	01un
23	ECP.41.7993	-	Plunger - Caterpillar Pump 320D   938H - ø7.993mm w/ Coating <i>ELEMENTO BBA Caterpillar 320D   938H - Ø7.993mm con Revestimiento</i>	01un
23	ECP.41.8005	-	Plunger - Caterpillar Pump 320D   938H - ø8.005mm w/ Coating <i>ELEMENTO BBA Caterpillar 320D   938H - Ø8.005mm con Revestimiento</i>	01un
23	ECP.41.8010	-	Plunger - Caterpillar Pump 320D   938H - ø8.010mm w/ Coating <i>ELEMENTO BBA Caterpillar 320D   938H - Ø8.010mm con Revestimiento</i>	01un
23	ECP.41.8015	-	Plunger - Caterpillar Pump 320D   938H - ø8.015mm w/ Coating <i>ELEMENTO BBA Caterpillar 320D   938H - Ø8.015mm con Revestimiento</i>	01un
24	340.03.39	-	Safety Valve - MBB 1933 y Caterpillar Gear Pump <i>Valvula Seguridad BBA Alimentación MBB 1933 y Caterpillar</i>	01un
26	803.07.15	-	Adjustment Shim - 1.50mm <i>Calzo de Ajuste - 1.50mm</i>	12un
27	321.10.03	-	Pin and Roller - Caterpillar Pump <i>Pin y Rodillo BBA Caterpillar</i>	01un
28	191.01.04	-	Gear Set - Cat C4 / C6 Fuel Pump <i>Juego de Engrenajes de la BBA Comb CAT C4 / C6</i>	01un



**324.21.080**

Grinding Tool to Caterpillar Pump Plunger  
*Herramienta Rectificar ELEMENTO BBA Caterpillar Ø 8.00mm*



**324.22.080**

Polishing Tool to Caterpillar Pump Plunger  
*Herramienta Acabamiento ELEMENTO BBA Caterpillar Ø 8.00mm*



**323.02.13**

Cutting Oil  
*Aceite Corte*



**324.19.005**

Grinding Tool to Caterpillar Pump Valve Seat  
*Herramienta Rectificar Asiento Valvula BBA Caterpillar*



**324.20.005**

Polishing Tool to Caterpillar Pump Valve Seat  
*Herramienta Acabamiento Asiento Valvula BBA Caterpillar*



**323.50.212**

Caterpillar C4 | C6 Injector and Pump Tool Kit  
*Kit de Herramientas Inyectores e Bombas Caterpillar C4 | C6*



USE YOUR SMARTPHONE CAMERA TO SCAN THE QR CODE AND ACCESS MORE **TECHNICAL INFORMATION** FROM OUR PRODUCTS IN **ROBIEL® APP**.

USE LA CÁMARA DE SU TELÉFONO PARA ESCANEAR EL CÓDIGO QR Y OBTENER MÁS **INFORMACIONES TÉCNICAS** SOBRE LOS PRODUCTOS EN NUESTRA APLICACIÓN **ROBIEL®**.

**DOWNLOAD OUR NEW APP**  
DESCARGUE NUESTRA NUEVA APLICACIÓN

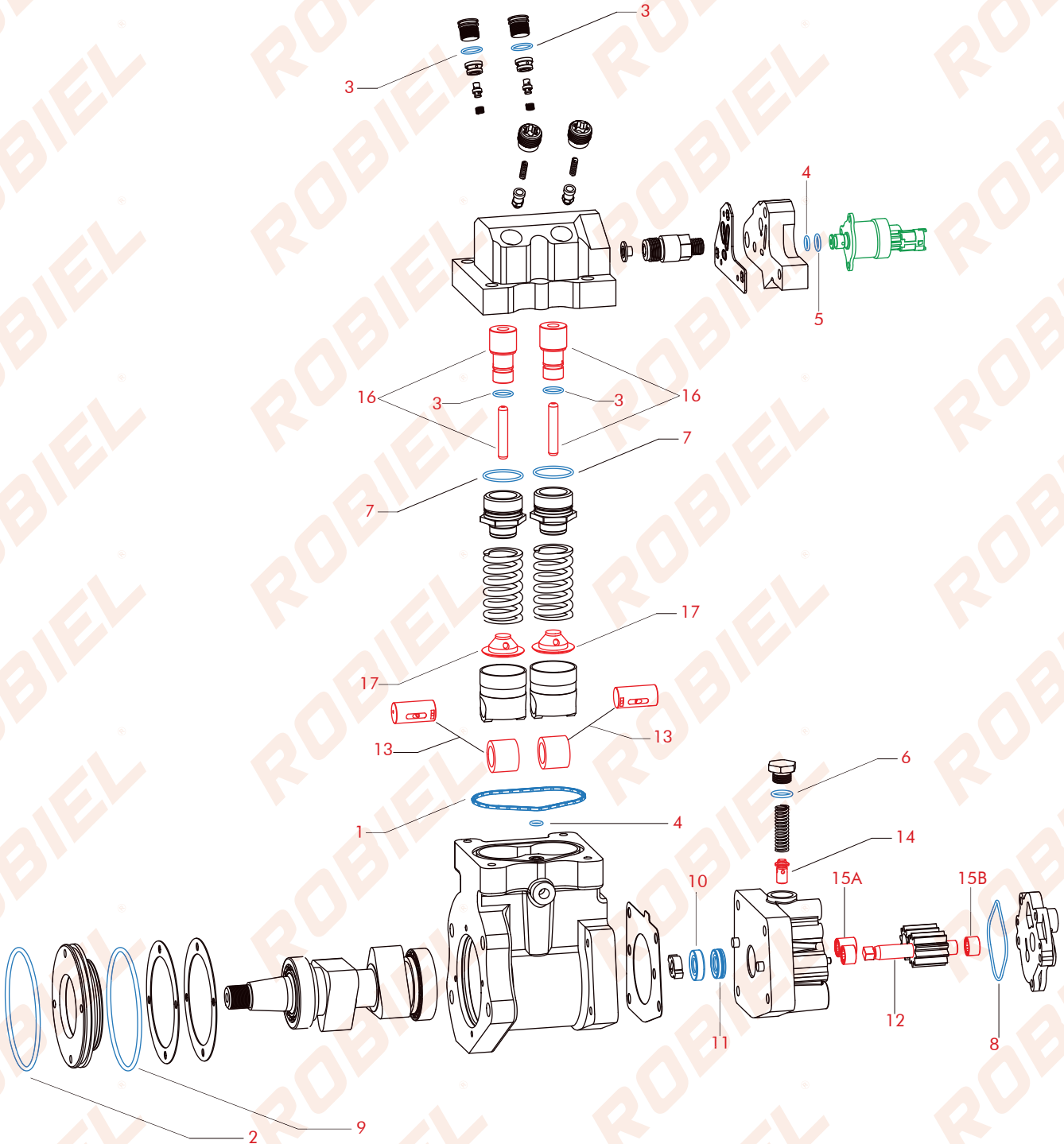


## CP2 HIGH PRESSURE PUMP BOMBA DE ALTA PRESIÓN CP2

**PUMPS CODES**

P4921431 1T05342080

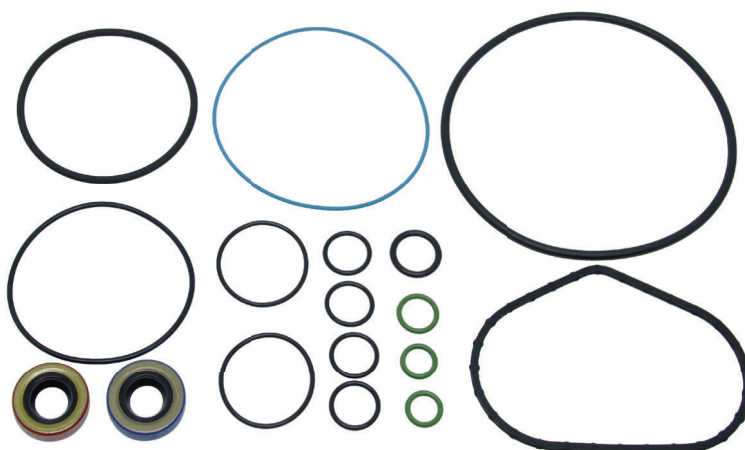
4088604 HG05342072





**410.38.841 REPAIR PARTS - CP2 HIGH PRESSURE PUMP**  
 REPARACION BBA ALTA PRESION CP2

ENGINE CODE		36063884					
Nº	ROBIEL CODE	REFERENCE	PACK	Nº	ROBIEL CODE	REFERENCE	PACK
1	420.05.28	F 01M 300 718	01un.	7	421.03.018	-	02un.
2	421.10.030	-	01un.	8	421.05.920	-	01un.
3	421.00.418	-	04un.	9	421.07.618	-	01un.
4	421.00.920	1 928 300 718	02un.	10	430.01.225	-	01un.
5	421.01.120	F 928 300 719	01un.	11	430.01.226	-	01un.
6	421.01.424	-	01un.				



**410.00.34 REPAIR PARTS - CP2 GEAR PUMP**  
 REPARACION BBA ALIMENTACION CP2

REFERENCE				
Nº	ROBIEL CODE	REFERENCE	DESCRIPTION	PACK
15A	321.00.00	-	Bearing - Rodamiento	02un.
15B	321.00.01	-	Bearing - Rodamiento	01un.



**SPARE PARTS**  
 Repuestos

Nº	ROBIEL CODE	REFERENCE	DESCRIPTION	PACK
12	190.03.16	-	Shaft - CP2 gear Pump <i>Eje de la BBA Alimentación CP2</i>	01un.
13	321.10.02	-	Pin and Roller - CP2 Pump <i>Pin y Rodillo de la BBA CP2</i>	01kit.
14	340.03.35	-	Relief Valve - MBB 712C / CP2 Gear Pump <i>Valvula Seguridad BBA Alimentación MBB 712C / CP2</i>	01un.
16	ECP20.00	-	Plunger - CP2 Pump <i>ELEMENTO de la BBA CP2</i>	01un.
17	305.12.00	-	Spring Retainer - CP2 Pump <i>Platillo Del Resorte BBA CP2</i>	02un.





**324.19.010**

Grinding Tool to CP2  
Gear Pump Valve seat  
*Herramienta Rectificar Asiento  
Valva BBA Alimentación CP2*



**324.20.010**

Polishing Tool to CP2  
Gear Pump Valve seat  
*Herramienta Acabamiento  
Asiento Valva BBA  
Alimentación CP2*



**324.19.014**

Grinding Tool to CP2  
Pump Head Valve seat  
*Herramienta Rectificar Asiento  
Valva Cabeza Hidráulica BBA CP2*



**324.20.014**

Polishing Tool to CP2  
Pump Head Valve seat  
*Herramienta Acabamiento Asiento  
Valva Cabeza Hidráulica BBA CP2*



**324.18.009**

Polishing Tool to CP2 Pump  
Plunger Seat  
*Herramienta Acabamiento Asiento  
ELEMENTO BBA CP2*



**323.02.13**

Cutting Oil  
*Aceite Corte*

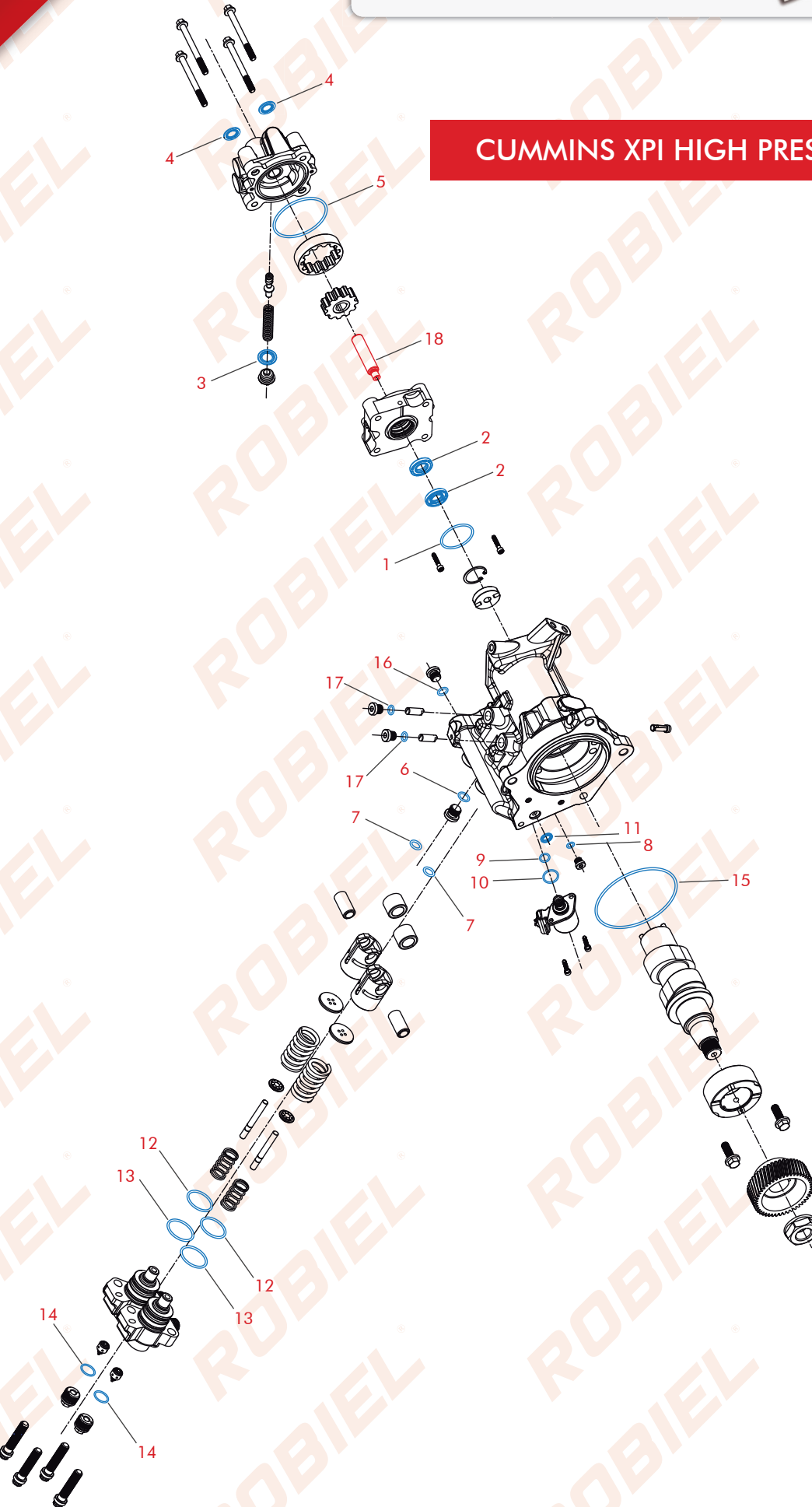


UTILIZE A CÂMERA DO SEU CELULAR PARA ESCANEAR O QR CODE E OBTER MAIS INFORMAÇÕES TÉCNICAS DOS PRODUTOS EM NOSSO APLICATIVO **ROBIEL**

BAIXE NOSSO NOVO APP



## CUMMINS XPI HIGH PRESSURE PUMP

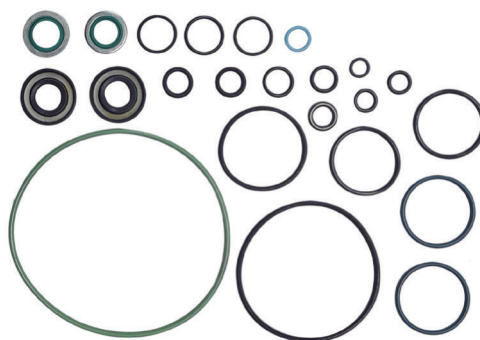


**410.40.832**

**Overhaul kit - Cummins XPI Pump**

REPARACION COMPLETA BBA COMBUSTIBLE CUMMINS XPI

REFERENCE		-		
Nº	ROBIEL CODE	REFERENCE	DESCRIPTION	PACK
1	421.44.262	-	O-ring - Anillo	01pç.
2	430.16.3205	-	Retainer - Réten	01pç.
3	818.26.15	-	Washer - Arandela	01pç.
4	815.24.15	-	Washer - Arandela	01pç.
5	421.75.30	-	O-ring - Anillo	01pç.
6	421.13.220	-	O-ring - Anillo	01pç.
7	421.12.262	-	O-ring - Anillo	01pç.
8	421.08.180	-	O-ring - Anillo	01pç.
9	421.11.190	-	O-ring - Anillo	01pç.
10	421.18.185	-	O-ring - Anillo	02pç.
11	421.01.130	2 430 210 082	O-ring - Anillo	01pç.
12	421.34.262	-	O-ring - Anillo	01pç.
13	421.36.269	-	O-ring - Anillo	01pç.
14	42118.178	-	O-ring - Anillo	01pç.
15	421.11.730	-	O-ring - Anillo	01pç.
16	421.11.322	-	O-ring - Anillo	01pç.
17	421.09.210	-	O-ring - Anillo	01pç.



**SPARE PARTS**  
Repuestos

Nº	ROBIEL CODE	REFERENCE	DESCRIPTION	PACK
18	190.03.18	-	Shaft - Cummins ISX15 XPI Pump <i>Eje de la Bomba Cummins ISX15 XPI</i>	01un.

**18**



USE YOUR SMARTPHONE CAMERA TO SCAN THE QR CODE AND ACCESS MORE TECHNICAL INFORMATION FROM OUR PRODUCTS IN **ROBIEL**' APP.

USE LA CÁMARA DE SU TELÉFONO PARA ESCANEAR EL CÓDIGO QR Y OBTENER MÁS INFORMACIONES TÉCNICAS SOBRE LOS PRODUCTOS EN NUESTRA APLICACIÓN **ROBIEL**.

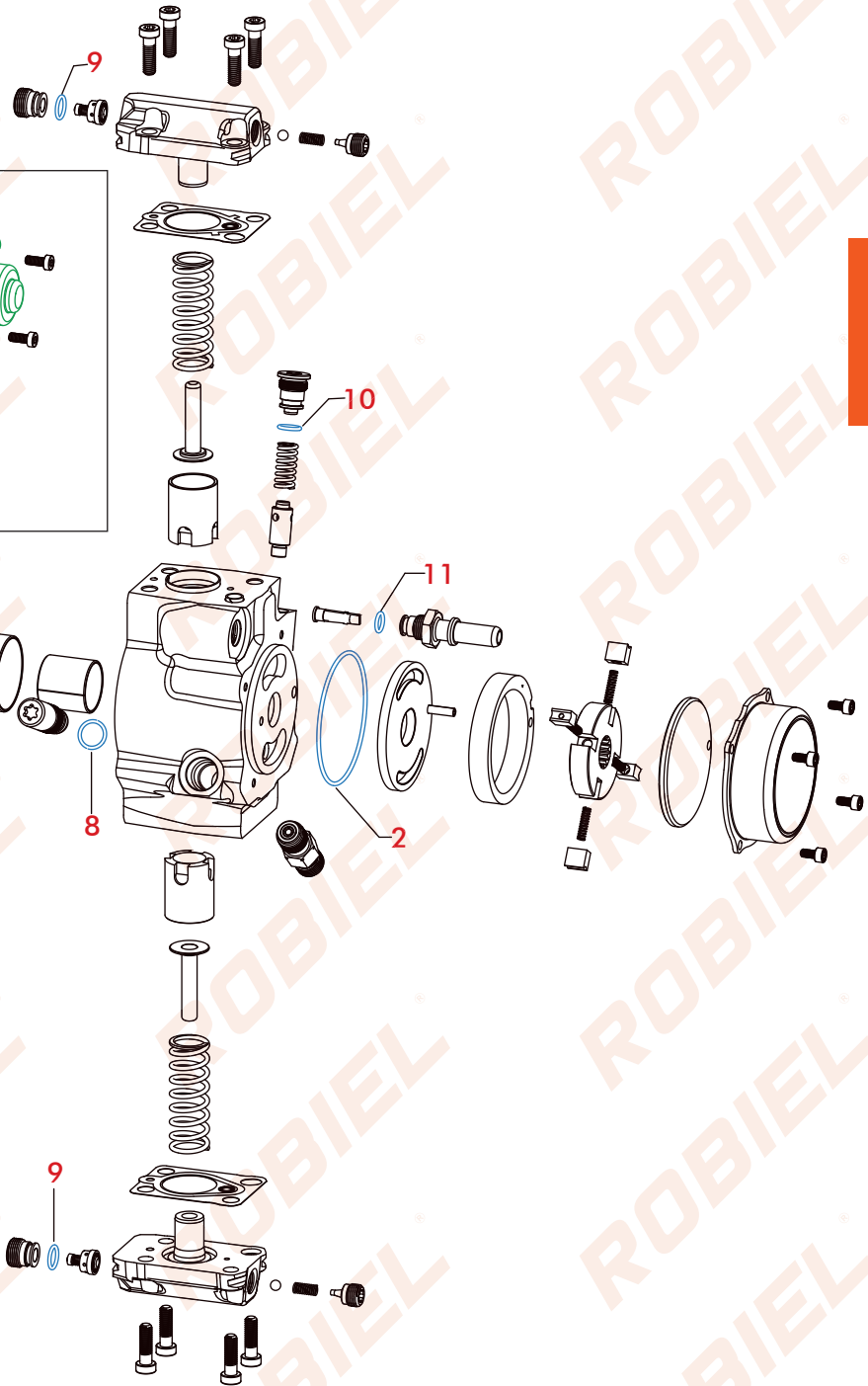
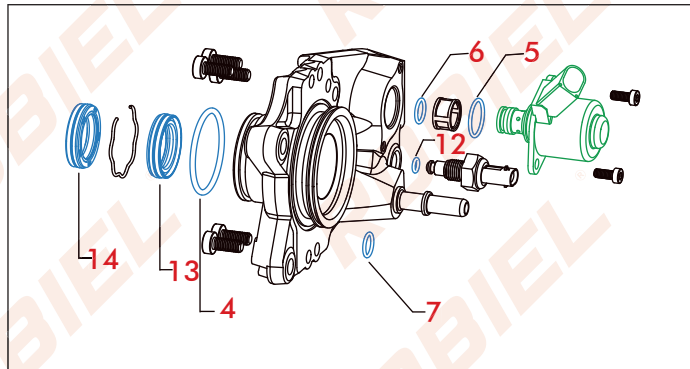
**DOWNLOAD OUR NEW APP**  
DESCARGUE NUESTRA NUEVA APLICACIÓN



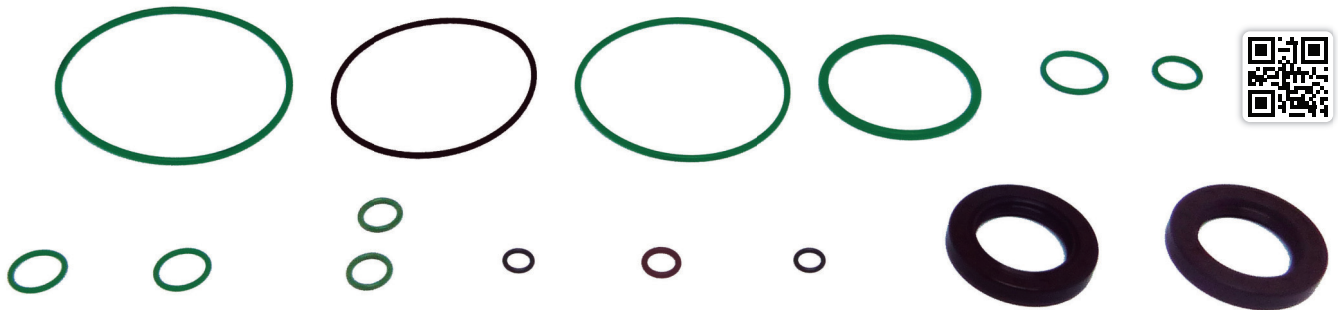
## DELPHI HIGH PRESSURE PUMP

BOMBA DE ALTA PRESIÓN DELPHI

SPRINTER | BONGO | HR



410.35.681		REPAIR PARTS - DELPHI HIGH PRESSURE PUMP		
		REPARACION BBA ALTA PRESION DELPHI	HR / H100 KIA BONGO K2500 / SPRINTER	
REFERENCE	7135-681			
Nº	ROBIEL CODE	REFERENCE	DESCRIPTION	PACK
1	421.07.115	-	O-ring - Anillo	01un.
2	421.06.318	-	O-ring - Anillo	01un.
3A	421.06.520	-	O-ring - Anillo (HR)	01un.
3B	421.05.520	-	O-ring - Anillo (SPRINTER)	01un.
4	421.04.430	-	O-ring - Anillo	01un.
5	421.01.918	-	O-ring - Anillo	01un.
6	421.11.916	-	O-ring - Anillo	01un.
7	421.01.117	-	O-ring - Anillo	01un.
8	421.01.115	-	O-ring - Anillo	01un.
9	421.00.915	-	O-ring - Anillo	02un.
10	421.00.717	-	O-ring - Anillo	01un.
11	421.00.520	-	O-ring - Anillo	01un.
12	421.00.716	-	O-ring - Anillo	01un.
13	430.02.538	7190-234	Retainer - Retén	01un.
14	430.02.539	7190-266	Retainer - Retén	01un.



USE YOUR SMARTPHONE CAMERA TO SCAN THE QR CODE AND ACCESS MORE **TECHNICAL INFORMATION** FROM OUR PRODUCTS IN **ROBIEL** APP.

USE LA CÁMARA DE SU TELÉFONO PARA ESCANEAR EL CÓDIGO QR Y OBTENER MÁS **INFORMACIONES TÉCNICAS** SOBRE LOS PRODUCTOS EN NUESTRA APLICACIÓN **ROBIEL**.

**DOWNLOAD OUR NEW APP**  
DESCARGUE NUESTRA NUEVA APLICACIÓN



## DENSO HP3 HIGH PRESSURE PUMP

BOMBA DE ALTA PRESIÓN DENSO HP3

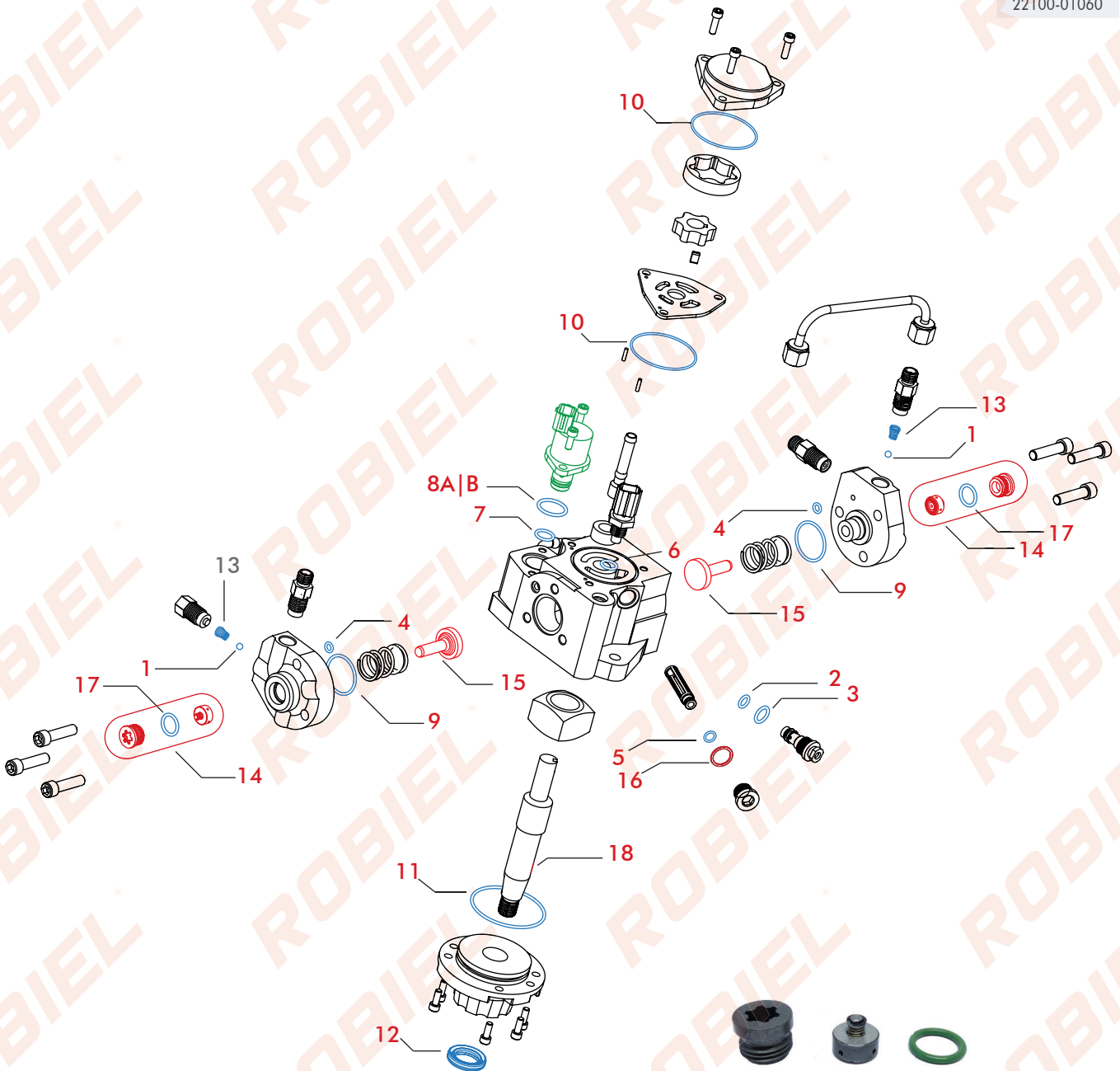
Toyota Hilux  
Mitsubishi L200 Triton

PUMP CODE

HILUX

22100-01020

22100-01060



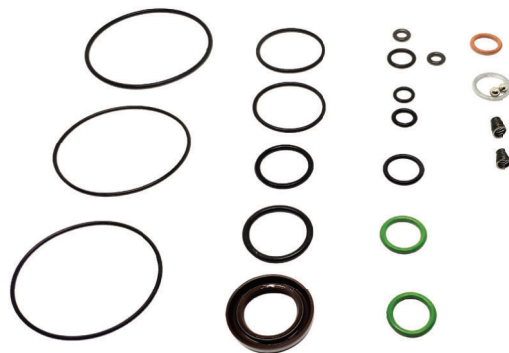
410.20.048

Repair Parts - Denso Suction Valve  
Reparación Valvula Aspiración Denso

**410.03.193**

**REPAIR PARTS - DENSO/HILUX HIGH PRESSURE PUMP**  
*REPARACION BBA ALTA PRESION DENSO HILUX*

REFERENCE							
Nº	ROBIEL CODE	REFERENCE	PACK	Nº	ROBIEL CODE	REFERENCE	PACK
1	190.50.17	-	02un	8B	421.02.226	PUMP 22100-0L060	01un
2	420.00.720	-	01un	9	421.02.818	-	02un
3	421.01.022	-	01un	10	421.05.015	-	02un
4	421.00.520	-	02un	11	421.05.321	-	01un
5	421.00.616	-	01un	12	430.20.030	-	01un
6	421.00.918	-	01un	13	225.01.53	-	02un
7	421.01.320	-	01un	16	514.18.15	Int.: 14.0 x Ext: 18.0	01un
8A	421.01.923	BBA 22100-0L020	01un	17	421.01.324	-	02un



**SPARE PARTS**  
*Repuestos*

Nº	ROBIEL CODE	REFERENCE	DESCRIPTION	PACK
14	410.20.048	-	Repair Parts - Denso Suction Valve <i>Reparacion Valvula Aspiracion Denso</i>	01kit
15	EDS.00.8505	-	Plunger - Denso Pump - 8.505mm <i>ELEMENTO BBA Denso - 8.505mm</i>	01un
15	EDS.00.8510	-	Plunger - Denso Pump - 8.510mm <i>ELEMENTO BBA Denso - 8.510mm</i>	01un
15	EDS.00.8515	-	Plunger - Denso Pump - 8.515mm <i>ELEMENTO BBA Denso - 8.515mm</i>	01un
18	156.01.12	-	Fitted Key - John Deere / Hilux / Hilux / Triton / S10 Pump <i>Llaveta de la Bomba John Deere / Hilux / triton / S10</i>	10un



**323.02.061**  
 Tighten/Loosen Tool - Denso Pump Bolt  
*Herramienta Soltar/Aperatar Tapon De la BBA Denso*

**323.02.14**  
 Impact Wrench - 1/2"  
*Llave de Impacto 1/2"*

**323.50.36**  
 TOOL SET - DENSO HP3/HP4 PUMP  
*JUEGO HERRAMIENTA BOMBA DENSO HP3/HP4*

**323.02.13**  
 Cutting Oil  
*Aceite Corte*



USE YOUR SMARTPHONE CAMERA TO SCAN THE QR CODE AND ACCESS MORE TECHNICAL INFORMATION FROM OUR PRODUCTS IN **ROBIEL** APP.

USE LA CÁMARA DE SU TELÉFONO PARA ESCANEAR EL CÓDIGO QR Y OBTENER MÁS INFORMACIONES TÉCNICAS SOBRE LOS PRODUCTOS EN NUESTRA APLICACIÓN **ROBIEL**.

**DOWNLOAD OUR NEW APP**  
DESCARGUE NUESTRA NUEVA APLICACIÓN

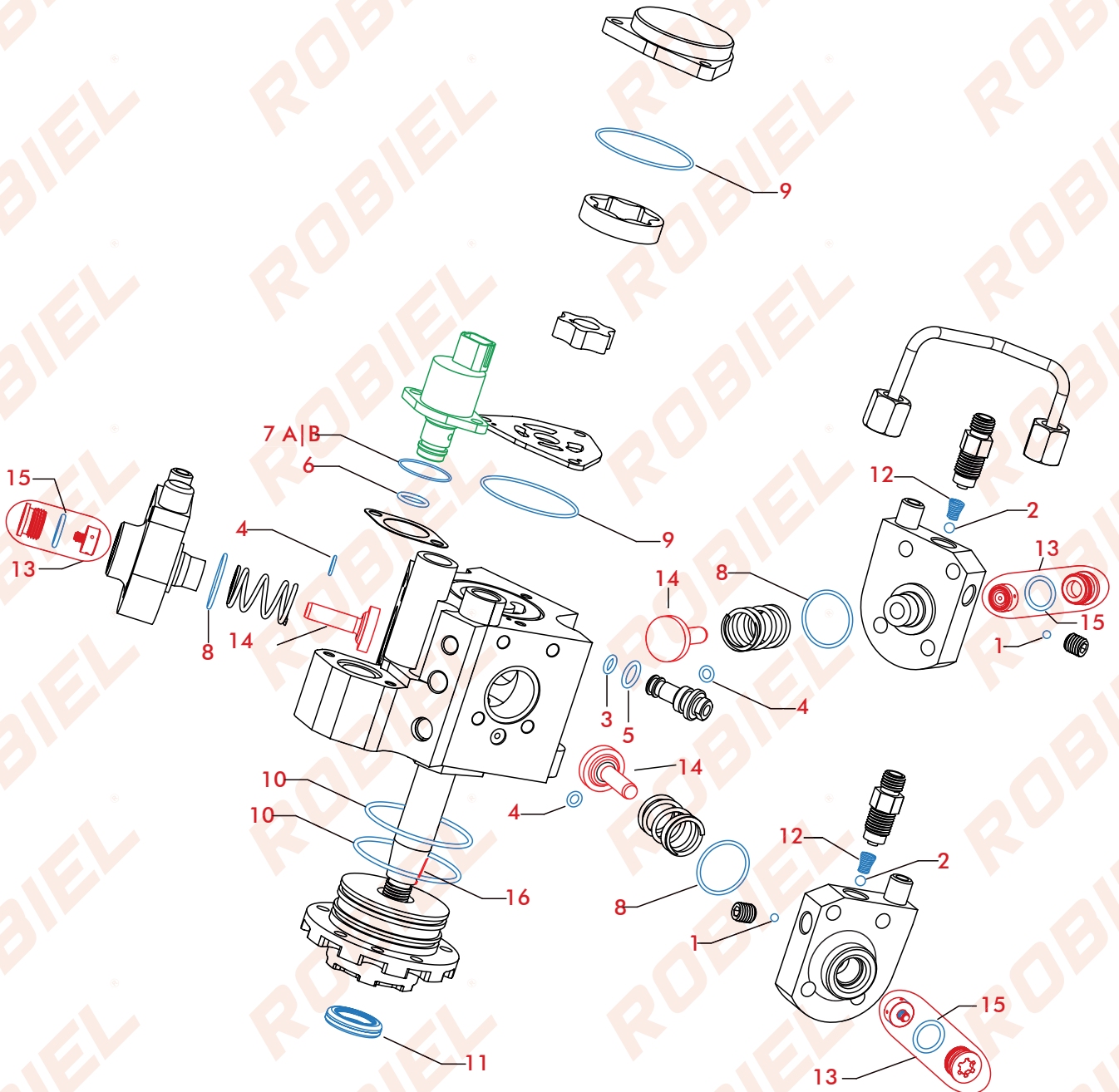


## DENSO HP4 HIGH PRESSURE PUMP BOMBA DE ALTA PRESIÓN DENSO HP4

John Deere

**PUMP CODE**

294050-0063

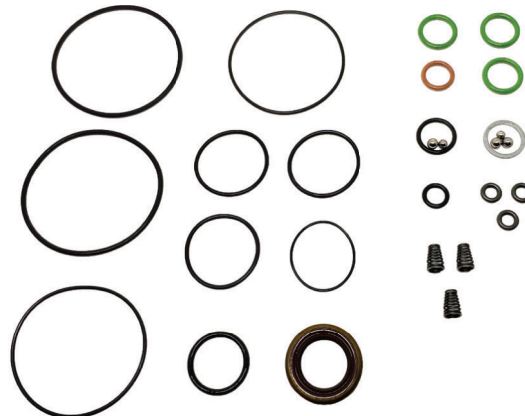


410.20.048

Repair Parts - Denso Suction Valve  
Reparacion Valvula Aspiracion Denso

**410.03.202** REPAIR PARTS - DENSO/JOHN DEERE HIGH PRESSURE PUMP  
REPARACION BBA ALTA PRESION DENSO JOHN DEERE

REFERENCE							
Nº	ROBIEL CODE	REFERENCE	PACK	Nº	ROBIEL CODE	REFERENCE	PACK
1	190.50.01	∅ 3.96mm	02un	7B	421.01.923	-	01un
2	190.50.17	∅ 3/16"	03un	8	421.02.818	-	03un
3	420.00.720	-	01un	9	421.05.015	-	02un
4	421.00.520	-	03un	10	421.05.422	-	02un
5	421.01.021	-	01un	11	430.20.030	-	01un
6	421.01.320	-	01un	12	225.01.53	-	03un
7A	421.02.710	-	01un	15	421.01.324	-	03un



**SPARE PARTS**  
Repuestos

Nº	ROBIEL CODE	REFERENCE	DESCRIPTION	PACK
13	410.20.048	-	Repair Parts - Denso Suction Valve <i>Reparacion Valvula Aspiracion Denso</i>	01kit
14	EDS.00.8505	-	Plunger - Denso Pump - 8.505mm <i>ELEMENTO BBA Denso - 8.505mm</i>	01un
14	EDS.00.8510	-	Plunger - Denso Pump - 8.510mm <i>ELEMENTO BBA Denso - 8.510mm</i>	01un
14	EDS.00.8515	-	Plunger - Denso Pump - 8.515mm <i>ELEMENTO BBA Denso - 8.515mm</i>	01un
18	156.01.12	-	Fitted Key - John Deere / Hilux / Hilux / Triton / S10 Pump <i>Llaveta de la Bomba John Deere / Hilux / triton / S10</i>	10un



**323.02.061**  
Tighten/Loosen Tool - Denso Pump Bolt  
*Herramienta Soltar/Apertar Tapon De la BBA Denso*

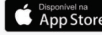
**323.02.14**  
Impact Wrench - 1/2"  
*Llave de Impacto 1/2"*

**323.50.36**  
TOOL SET - DENSO HP3/HP4 PUMP  
*JUEGO HERRAMIENTA BOMBA DENSO HP3/HP4*

**323.02.13**  
Cutting Oil  
*Aceite Corte*

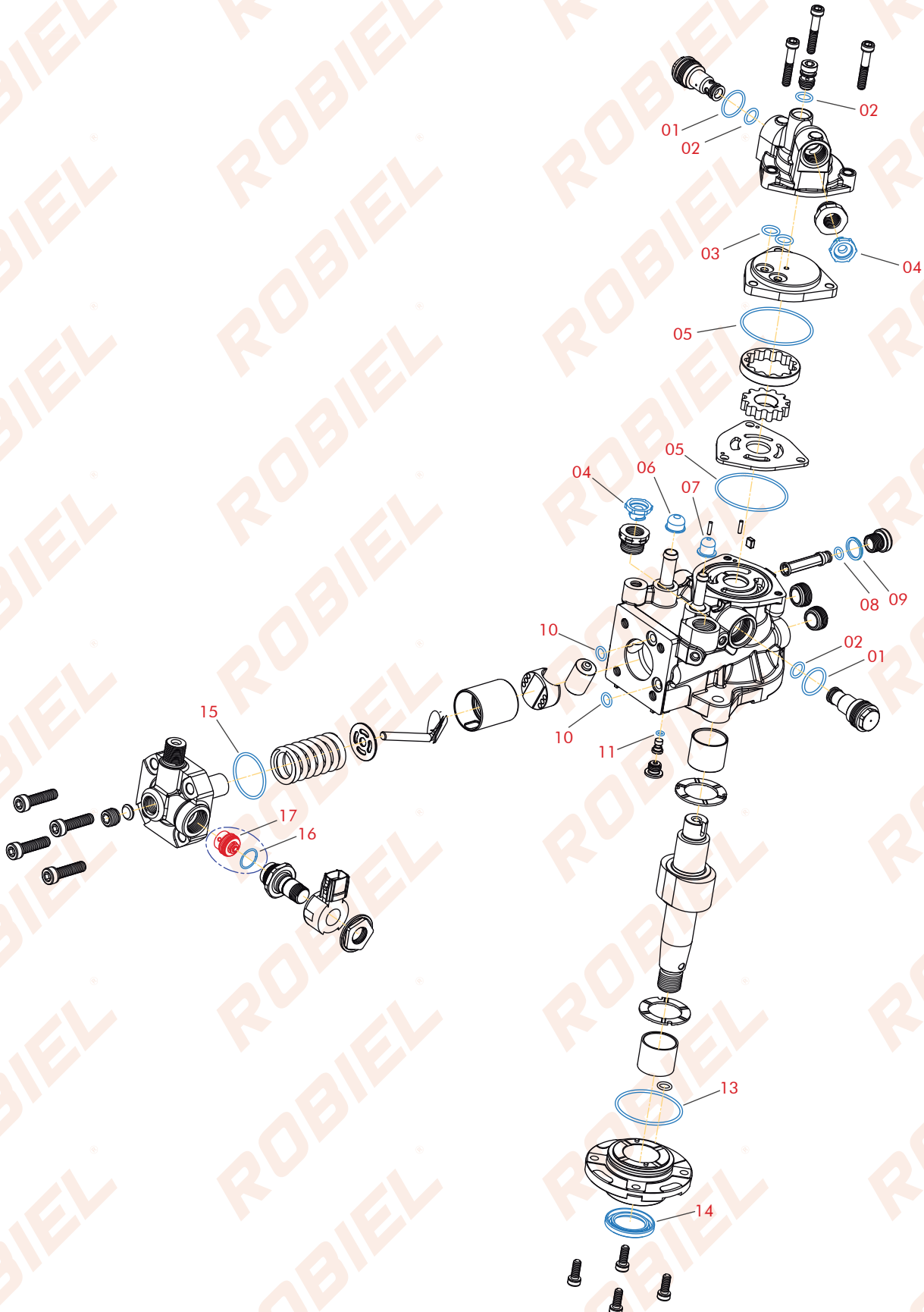
UTILIZE A CÂMERA DO SEU CELULAR PARA ESCANEAR O QR CODE E OBTER MAIS INFORMAÇÕES TÉCNICAS DOS PRODUTOS EM NOSSO APLICATIVO **ROBIEL**

BAIXE NOSSO NOVO APP



## DENSO HP5 HIGH PRESSURE PUMP

BOMBA DE ALTA PRESIÓN DENSO HP5

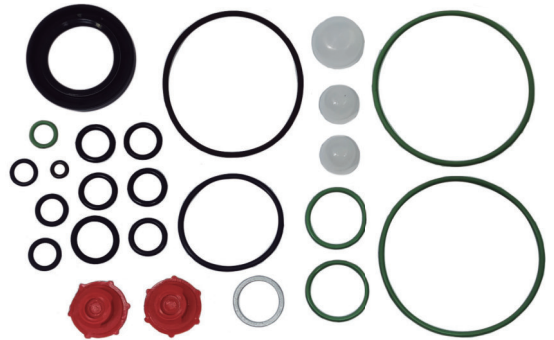


**410.03.001**

**REPAIR PARTS - HP5 DENSO HIGH PRESSURE PUMP**

REPARACION BOMBA DE ALTA PRESIÓN HP5 - DENSO

REFERENCE				
Nº	ROBIEL CODE	REFERENCE	DESCRIPTION	PACK
1	421.01.918	-	O-ring - Anillo	02pç.
2	421.00.918	-	O-ring - Anillo	03pç.
3	421.01.020	-	O-ring - Anillo	02pç.
4	220.02.06	-	Protective Cap Tapa de Protección	02pç.
5	421.05.320	-	O-ring - Anillo	02pç.
6	220.03.03	-	Protective Cap Tapa de Protección	01pç.
7	220.03.07	-	Protective Cap Tapa de Protección	02pç.
8	421.00.616	-	O-ring - Anillo	01pç.
9	514.18.10	-	Washer - Arandela	01pç.
10	421.08.180	-	O-ring - Anillo	03pç.
11	421.03.5150	-	O-ring - Anillo	01pç.
13	421.04.820	F 00R OP1 324 F 00N 201 473	O-ring - Anillo	01pç.
14	430.02.538	-	Retainer - Retén	01pç.
15	421.32.020	-	O-ring - Anillo	01pç.
16	421.01.320	-	O-ring - Anillo	01pç.



**324.17.032**

Polishing Tool To HP5  
Suction Valve Seat  
Herramienta Acabamiento  
Asiento Valv Aspiracion HP5



**324.17.0321**

Tip For Grinding Tool To  
HP5 Suction Valve Seat  
Puntera Rectificar Asiento  
Valv Aspiracion HP5



**324.18.032**

Polishing Tool To HP5  
Suction Valve Seat  
Herramienta Acabamiento  
Asiento Valv Aspiracion HP5



**324.18.0321**

Tip For Polishing Tool To  
HP5 Suction Valve Seat  
Puntera Acabamiento  
Asiento Valv Aspiracion HP5



USE YOUR SMARTPHONE CAMERA TO SCAN THE QR CODE AND ACCESS MORE TECHNICAL INFORMATION FROM OUR PRODUCTS IN **ROBIEL** APP.

USE LA CÁMARA DE SU TELÉFONO PARA ESCANEAR EL CÓDIGO QR Y OBTENER MÁS INFORMACIONES TÉCNICAS SOBRE LOS PRODUCTOS EN NUESTRA APLICACIÓN **ROBIEL**.

**DOWNLOAD OUR NEW APP**  
DESCARGUE NUESTRA NUEVA APLICACIÓN

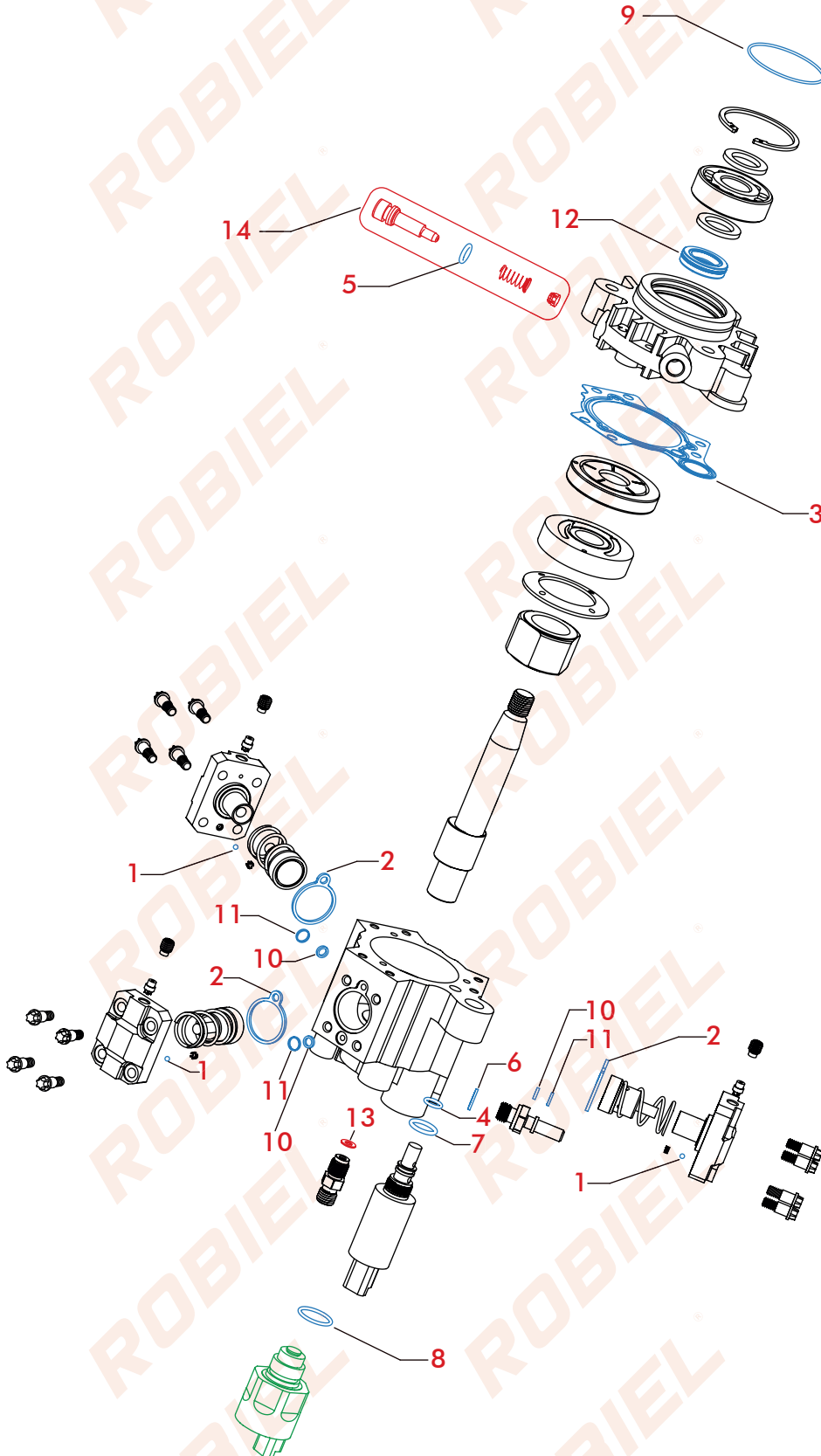


## SIEMENS HIGH PRESSURE PUMP BOMBA DE ALTA PRESIÓN SIEMENS

VDO | Continental

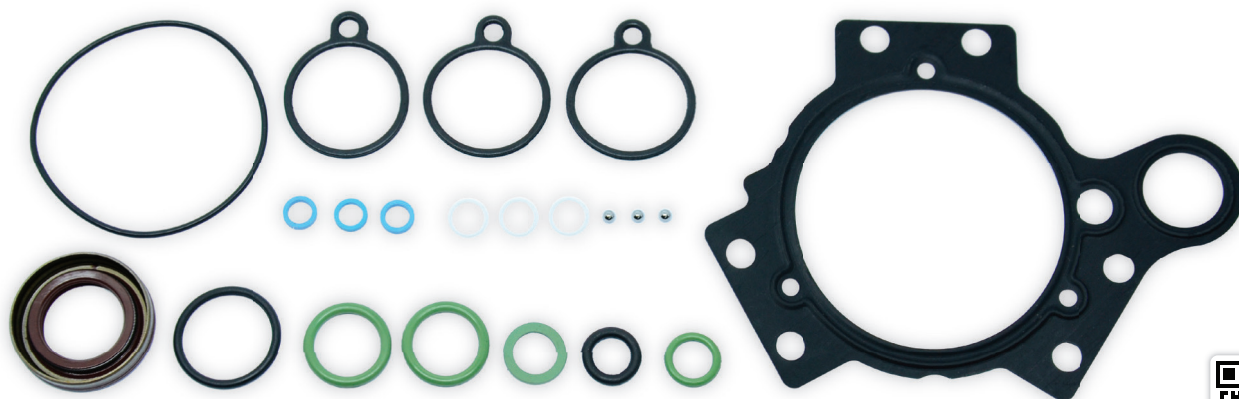
**PUMP CODE**

A2C 20000 747



**410.20.0511 REPAIR PARTS - SIEMENS/RANGER HIGH PRESSURE PUMP**  
 REPARACION BBA ALTA PRESION SIEMENS RANGER

REFERENCE		BG5T9350AA   Ford Ranger 3.0					
Nº	ROBIEL CODE	REFERENCE	PACK	Nº	ROBIEL CODE	REFERENCE	PACK
1	190.50.16	∅ 3.00mm	03un	7	421.01.525	-	02un
2	421.03.02	∅ 3/16"	03un	8	421.02.020	-	01un
3	450.13.351	-	01un	9	421.05.015	-	01un
4	421.00.920	-	01un	10	422.05.511	-	03un
5	421.00.925	-	01un	11	424.08.914	-	03un
6	421.01.015	-	01un	12	430.02.031V	2.460.283.001 F01M 100 984	01un



**410.20.695 REPAIR PARTS - SIEMENS/CONTINENTAL PUMP**  
 REPARACION BOMBA SIEMENS / CONTINENTAL

REFERENCE		BK3Q9B395AD   Ford Ranger 3.2 / 2.2			
ROBIEL CODE	PACK	ROBIEL CODE	PACK		
421.04.620	01un	421.10.116	03un		
421.01.115	01un	421.26.718	03un		
421.00.918	01un	421.01.725	01un		
421.00.718	03un	421.61.726	01un		
424.10.1115	03un	421.56.826	01un		
420.08.1016	03un	430.22.3363	01un		
421.64.020	01un	421.00.862	02un		



**SPARE PARTS**  
 Repuestos

Nº	ROBIEL CODE	REFERENCE	DESCRIPTION	PACK
3	450.13.351	-	Gasket - Siemens / Ranger Pump Cover Empaquetadura Tapa BBA Siemens / Ranger	01un
13	805.09.05	F 00V C17 003   F 00R OP0 004	Shim - 0.60mm Calzo - 0.60mm	12un
14	342.00.01	-	Low Pressure Adjustment Valve Ford Ranger 3.0 Válvula de ajuste de baja Presión Ford Ranger 3.0	01un
R1	342.00.02	-	Low Pressure Adjustment Valve Ford Ranger 3.2 / 2.2 Válvula de ajuste de baja Presión Ford Ranger 3.2 / 2.2	01un



# **ROBIEL®**

## **EUP | EUI | HEUI UNITS**

### **EUP UNITS**

PLD MBB - Smaller  
PLD MBB - Bigger  
Volvo

### **EUI UNITS**

Bosch E1 - Euro 5- Iveco  
Bosch EUI PDE- Scania | Iveco  
Caterpillar C10 | C12  
Caterpillar C13 | C15  
Caterpillar C15 | C32  
Caterpillar 3500  
Cummins N14  
Delphi A1 | A2 - Volvo D12 A | C  
Delphi E1 - Volvo D12D  
John Deere E1  
Delphi E3 - Volvo D13  
Delphi E3 - Freightliner  
Detroit Série 60 N2  
Detroit Série 60 N3  
Daf MX13  
Cummins ISX - Scania 470 HPI

### **HEUI UNITS**

Caterpillar C7 | C9  
Caterpillar 3116  
Navistar DT466E  
Caterpillar 3126B | 3116  
Navistar G2.8  
Navistar G2.9

USE YOUR SMARTPHONE CAMERA TO SCAN THE QR CODE AND ACCESS MORE TECHNICAL INFORMATION FROM OUR PRODUCTS IN **ROBIEL®** APP.

USE LA CÁMARA DE SU TELÉFONO PARA ESCANEAR EL CÓDIGO QR Y OBTENER MÁS INFORMACIONES TÉCNICAS SOBRE LOS PRODUCTOS EN NUESTRA APLICACIÓN **ROBIEL®**.

**DOWNLOAD OUR NEW APP**  
DESCARGUE NUESTRA NUEVA APLICACIÓN

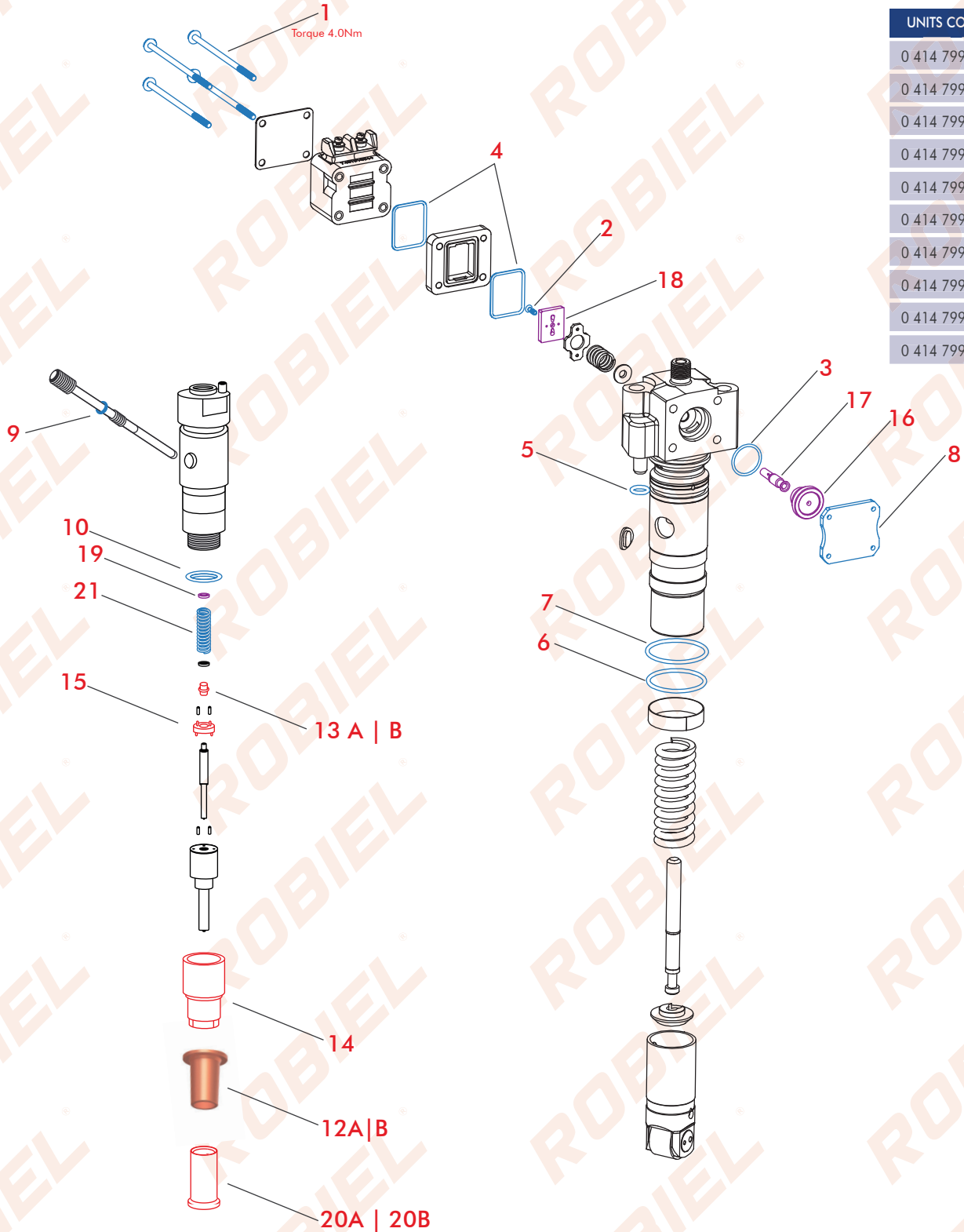


**MBB EUP | PLD - SMALLER UNIT**  
UNIDAD MBB EUP | PLD - MENOR

5914|915|Acello 915C|1620|1215  
1218|1418|1723|1728|1933  
Atego 2425  
Atego 2428

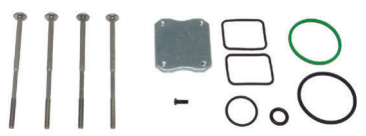

**UNITS CODES**

0 414 799 003
0 414 799 004
0 414 799 006
0 414 799 008
0 414 799 012
0 414 799 013
0 414 799 014
0 414 799 017
0 414 799 019
0 414 799 022

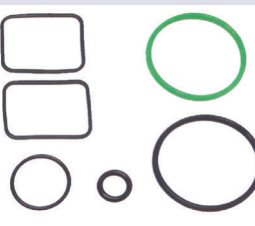





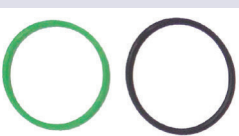

<b>420.90.082</b> REPAIR PARTS - EUP 712C UNIT W/ SCREW				
REPARACION UNIDAD EUP 712C C/ TORNILLO				
REFERENCE		F 00H N37 070		
Nº	ROBIEL CODE	REFERENCE	DESCRIPTION	PACK
1	250.20.71	-	Bolt - Tornillo (torque 4.0Nm)	04un.
2	250.21.70	F 00H N35 725	Bolt - Tornillo (torque 2.5Nm)	01un.
3	421.21.18	F 00H N35 723	O-ring - Anillo	01un.
4	421.23.31	F 00H N37 008	Profile Ring - Anillo Perfil	02un.
5	421.00.925	F 00H N35 985	O-ring - Anillo	01un.
6	421.03.726	F 00H N37 622	O-ring - Anillo	01un.
7	421.03.826	F 00H N37 621	O-ring - Anillo	01un.
8	801.00.40	-	Plate - Placa	01un.

<b>420.99.994</b> REPAIR RINGS SET - MBB 4C UNIT (OVERHAUL)				
REPARACION ANILLOS UNIDAD MBB 4 CIL COMPLETA				
REFERENCE		Units 0 414 799 003   008		
Nº	ROBIEL CODE	REFERENCE	DESCRIPTION	PACK
3	421.21.18	F 00H N35 723	O-ring - Anillo	01un.
4	421.23.31	F 00H N37 008	Profile Ring - Anillo Perfil	02un.
5	421.00.925	F 00H N35 985	O-ring - Anillo	01un.
6	421.03.726	F 00H N37 622	O-ring - Anillo	01un.
7	421.03.826	F 00Z N37 621 F 00Z N37 072	O-ring - Anillo	01un.



<b>420.75.648</b> REPAIR RINGS SET - MBB 712C 4C UNIT				
REPARACION ANILLOS UNIDAD MBB 712C 4 CIL				
REFERENCE		F 00H N37 454   A 028 997 56 48		
Nº	ROBIEL CODE	REFERENCE	DESCRIPTION	PACK
6	421.03.726	F 00H N37 622	O-ring - Anillo	01un.
7	421.03.826	F 00Z N37 621 F 00Z N37 072	O-ring - Anillo	01un.

<b>420.37.003</b> REPAIR PARTS - MBB 712C NOZZLE HOLDER				
REPARACION PORTA INYECTOR MBB 712C				
REFERENCE		-		
Nº	ROBIEL CODE	REFERENCE	DESCRIPTION	PACK
9	421.01.130	A5419970545 2 430 210 082	O-ring - Anillo	01un.
10	421.02.130	2 430 210 081   A 028 997 2148 A 541 997 0545   A 906 017 0360	O-ring - Anillo	01un.
12	600.03.01	F 00Z W00 001 906 017 07 60	Seal Ring - Manguito Sellado	01un.




<b>409.00.001</b> REPAIR PARTS - MBB / SCANIA / IVECO INJECTOR NOZZLE HOLDER				
REPARACION PORTA INYECTOR MBB / SCANIA / IVECO				
REFERENCE		F 000 431 702		
Nº	ROBIEL CODE	REFERENCE	DESCRIPTION	PACK
21	225.01.42	2 434 614 040	Spring - Resorte	01un
13B	305.02.12	F 00H B20 001 2 433 124 393	Pin - Top	01un
15	D00.36.221	2 430 136 221	Intermediate Disc - Disco intermedio	01un

**SPARE PARTS**  
Repuestos

Nº	ROBIEL CODE	REFERENCE	DESCRIPTION	PACK
2	250.21.70	-	Bolt - Allen - Unit Amature <i>Tornillo Placa Atraque Unidades</i>	06un
3	421.21.18	F 00H N35 723	O-Ring - MBB Unit - 20.50x1.70mm <i>Anillo Unidad MBB</i>	06un
4	421.23.31	F 00H N37 008	Profile Ring - Solenoid - 27.30x34.50x1.70mm <i>Anillo Perfil Solenoide</i>	12un
5	421.00.925	F 00H N35 985	O-Ring - MBB Unit - 9.00x2.50mm <i>Anillo Unidad MBB</i>	06un
6	421.03.726	F 00H N37 622	O-Ring - MBB 712C Unit - 36.00x2.60mm <i>Anillo Unidad MBB 712C</i>	06un
7	421.03.826	F 00H N37 621	O-Ring - MBB 712C Unit - 38.00x2.60mm <i>Anillo Unidad MBB 712C</i>	06un
9	421.01.130	A5419970545	O-Ring - MBB Injection Unit - 11.00x3.00mm <i>Anillo Unidad Inyectora MBB</i>	10un
10	421.02.130	2 430 210 081   A 028 997 2148 A 541 997 0545   A 906 017 0360	O-Ring - MBB Injection Unit - 21.00x3.00mm <i>Anillo Unidad Inyectora MBB</i>	10un
12A	600.03.01	F 00Z W00 001 906 017 07 60	Seal Ring - Smaller MBB 2324K Nozzle Holder - 17.00mm <i>Manguito Sellado de la Tobera MBB 2324K Menor</i>	06un
12B	600.03.02	906 017 05 60	Seal Ring - Larger MBB 2324K Nozzle Holder - 19.00mm <i>Manguito Sellado de la Tobera MBB 2324K Mayor</i>	06un
13A	305.02.11	2 433 124 377 F 00Z B20 002	Pin - Pressure - 712 Electronic Nozzle <i>Top de Presion de la Tobera 712 Electronica</i>	06un
13B	305.02.12	2 433 124 393 F 00Z B20 001	Pin - Pressure - EUI / EUP Unit Nozzle <i>Top de Presion de la Tobera Unidad EUI / EUP</i>	06un
14	315.06.27	2 433 349 189	Nut - Nozzle-Retaining MBB 712/914/1215 Electronic <i>Tapa de la Tobera MBB 712/914/1215 Electronica</i>	01un
15	D00.36.221	2 430 136 221 F 00Z Z20 003	Intermediate Disc - MBB / Scania Electronic <i>Disco Intermedio MBB / Scania Electronica</i>	01un
20A	220.03.08	F 00R J02 537   F 00R J03 561 6.000.900.262	Protective Cap - Injectors / Units Nozzle - 7.00mm <i>Tapa Protectora p/ Tobera Inyectores / Unidades - 7.00mm</i>	01kit
20B	220.03.09	F 00H 410 849   F 00Z C88 080 6.000.900.076	Protective Cap - Injectors / Units Nozzle - 9.00mm <i>Tapa Protectora p/ Tobera Inyectores / Unidades - 9.00mm</i>	01kit
21	225.01.42	2 434 614 040	Spring MBB /Scania / Iveco - Injector Nozzle <i>Resorte de la Tobera del Inyector MBB / Scania / Iveco</i>	06un
R1	340.03.15	A 906 092 0510	RETURN VALVE - MBB 1415/1215C/714 - 4.5kg <i>Valvula Retorno MBB 1415/1215C/714</i>	01un
R2	340.03.151	A 906 092 1210	RETURN VALVE - MBB OM 906 LA - 4.5kg <i>Valvula Retorno MBB OM 906 LA</i>	01un
R3	340.03.26	-	RETURN VALVE - MBB 1938 Power Circuit - 0.5Kg <i>Valvula de Retorno Circuito de Alimentacion MBB 1938</i>	01un
R4	002.01.1433	A 906 070 1433	Tube for Fuel Injection - Electronic MBB 712C <i>Tubo Inyector MBB 712C Electronica</i>	01un



**16**

**PLUG - EUI | PDE MBB UNIT**  
TAPON DE LA UNIDAD EUI | PDE MBB



ROBIEL CODE	REFERENCE	THICKNESS(mm)
165.09.50	-	9.50
165.09.51	-	9.51
165.09.52	-	9.52
165.09.53	-	9.53
165.09.54	-	9.54
165.09.55	-	9.55
165.09.56	-	9.56
165.09.57	-	9.57
165.09.58	-	9.58
165.09.59	-	9.59
165.09.60	-	9.60
165.09.61	-	9.61
165.09.62	-	9.62
165.09.63	-	9.63
165.09.64	-	9.64
165.09.66	-	9.66
165.09.67	-	9.67
165.09.68	-	9.68

02 UNITS



**415.00.07**

**BOSCH EUP / PLD PLUG KIT**  
KIT DE TAPONES PARA UNIDADES BOSCH EUP / PLD



06 UNITS BY MEASURE

90 UNITS

**17**

**Plunger - EUI | EUP UNIT VALVE**  
ELEMENTO VALVULA UNIDADES EUI | EUP



ROBIEL CODE	REFERENCE	THICKNESS(mm)
340.05.01	-	7.000
340.05.02	-	7.005
340.05.03	-	7.010
340.05.04	-	7.015
340.05.05	-	7.020
340.05.06	-	7.025
340.05.07	-	7.030
340.05.08	-	7.040
340.05.09	-	7.050
340.05.10	-	7.060
340.05.11	-	7.070

01 UNIT



**415.00.06**

**BOSCH EUI / PDE - EUP / PLD VALVES KIT**  
KIT DE VALVULAS PARA UNIDADES BOSCH EUI / PDE - EUP / PLD



06 UNITS BY MEASURE

66 UNITS

**18** **ARMATURE PLATE - EUI | EUP UNIT**  
**PLACA ATRAQUE UNID EUI | EUP**  
 Ø Int.: 18.50 Ø Ext.: 24.00

ROBIEL CODE	REFERENCE	THICKNESS(mm)
801.03.85	-	3.85
801.03.87	-	3.87
801.03.89	-	3.89
801.03.91	-	3.91
801.03.93	-	3.93
801.03.95	-	3.95
801.03.97	-	3.97
801.03.99	-	3.99
801.03.400	-	4.00
801.03.405	-	4.05
801.03.410	-	4.10

04 UNITS

**415.00.09** BOSCH EUI / PDE - EUP / PLD ARMATURE PLATE KIT  
 KIT DE PLACAS DE ATRACAMIENTO PARA UNIDADES BOSCH EUI / PDE - EUP / PLD



06 UNITS BY MEASURE

54 UNITS

**19** **SHIM - EUI | PDE - EUP | PLD UNIT NOZZLE**  
**CALZO TOBERA UNIDAD EUI | PDE - EUP | PLD**  
 Ø Int.: 3.00 Ø Ext.: 8.00

ROBIEL CODE	REFERENCE	THICKNESS(mm)
803.09.080	2 430 102 280	0.80
803.09.085	-	0.85
803.09.090	2 430 102 290	0.90
803.09.095	-	0.95
803.09.10	2 430 102 300	1.00
803.09.105	2 430 102 306	1.05
803.09.11	2 430 102 310	1.10
803.09.115	2 430 102 316	1.15
803.09.12	2 430 102 320	1.20
803.09.125	2 430 102 326	1.25
803.09.13	2 430 102 330	1.30
803.09.135	2 430 102 336	1.35
803.09.14	2 430 102 340	1.40
803.09.145	2 430 102 346	1.45
803.09.15	2 430 102 350	1.50
803.09.155	2 430 102 356	1.55
803.09.16	2 430 102 360	1.60
803.09.165	2 430 102 366	1.65
803.09.17	2 430 102 370	1.70
803.09.175	2 430 102 376	1.75
803.09.18	2 430 102 380	1.80
803.09.185	2 430 102 386	1.85
803.09.19	2 430 102 390	1.90
803.09.195	2 430 102 396	1.95
803.09.20	2 430 102 398	2.00

12 UNITS



**323.01.20**

Nozzle tester Adapter  
 MBB Electronic Injector  
 Adaptador Prueba Tobera Inyector  
 MBB Electronica



**323.01.06**

Tip for Torque Wrench  
 MBB Electronic Unit Screw  
 Puntera Torx del Tornillo Unidad  
 Electronica MBB



**323.01.11**

Tip for Torque Wrench  
 Unit Screw  
 Puntera Torx del Tornillo Unidad



**324.28.06**

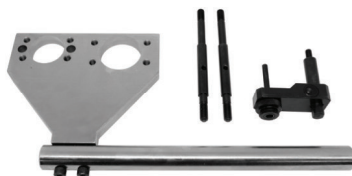
Tool to Test Vacuum Seal  
 Mercedes UP  
 Herramienta para Testar Vacio Unidades  
 Mercedes





**323.01.3241**

Rotating Vise W /  
Indexer Pin  
*Morsa Giratoria con Pin index*



**323.01.3252**

Adjusting Bracket  
MBB EUP Unit  
*Soporte de Regulacion Unidad MBB EUP*



**323.02.12**

Cleaning Brush  
*Cepillo de Limpieza*  
Ø 10.00mm



**323.01.98**

Housing Tool - EUI/EUP Valve  
*Herramienta Alojamiento Valvula EUI/EUP*  
7.000 to 7.030



**323.01.99**

Polishing Tool - EUI/EUP Seat  
*Herramienta Acabamiento Asiento EUI/EUP*  
7.000 to 7.030



**323.01.100**

Grinding Tool - EUI/EUP Seat  
*Herramienta Rectificar Asiento EUI/EUP*  
7.000 to 7.030



**323.02.18**

Housing Tool - EUI/EUP Valve  
*Herramienta Alojamiento Valvula EUI/EUP*  
7.040 to 7.070



**323.02.19**

Polishing Tool - EUI/EUP Seat  
*Herramienta Acabamiento Asiento EUI/EUP*  
7.040 to 7.070



**323.02.20**

Grinding Tool - EUI/EUP Seat  
*Herramienta Rectificar Asiento EUI/EUP*  
7.040 to 7.070



**323.02.13**

Cutting Oil  
*Aceite corte*



**323.01.792**

Fixing Tool - EUP Unit  
Step Plate  
*Herramienta Fijacion de la Placa de Apoyo Unidad EUP*



**323.50.041**

Bosch EUI | EUP Valve  
Changeover kit  
*Kit de Herramientas Unidades Bosch EUI | EUP - Troca de la Valvula*



**323.50.111**

Bosch EUI | EUP Units Tool Kit  
*Kit de Herramientas Unidades Bosch EUI | EUP*



USE YOUR SMARTPHONE CAMERA TO SCAN THE QR CODE AND ACCESS MORE TECHNICAL INFORMATION FROM OUR PRODUCTS IN **ROBIEL®** APP.

USE LA CÁMARA DE SU TELÉFONO PARA ESCANEAR EL CÓDIGO QR Y OBTENER MÁS INFORMACIONES TÉCNICAS SOBRE LOS PRODUCTOS EN NUESTRA APLICACIÓN **ROBIEL®**.

**DOWNLOAD OUR NEW APP**  
DESCARGUE NUESTRA NUEVA APLICACIÓN

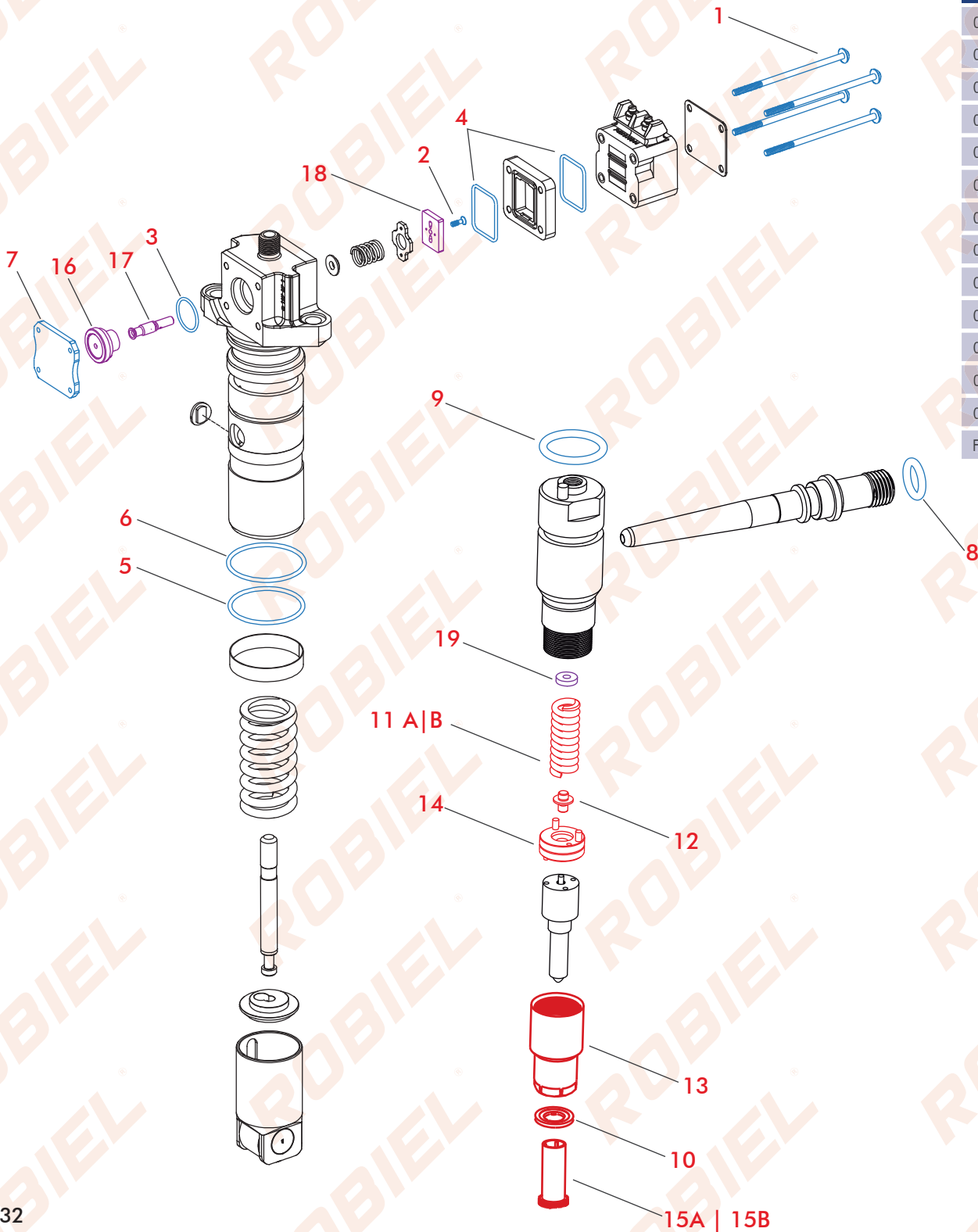


**MBB EUP | PLD - BIGGER UNIT**  
UNIDAD MBB EUP | PLD - MAYOR



457|541|542|  
1938LS|2638LS|1938S  
26445S|1944S|2638S|1634LS  
ACXOR2035|2040|2044|2540|2544|2644

**UNITS CODES**

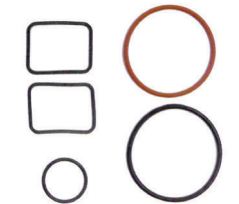

0 414 799 001
0 414 799 005
0 414 799 007
0 414 799 009
0 414 799 010
0 414 799 011
0 414 799 015
0 414 799 016
0 414 799 018
0 414 799 020
0 414 799 021
0 414 799 023
0 414 799 024
F 000 99D 002





420.70.692		REPAIR PARTS - EUP 1938 UNIT W/ SCREW		
		REPARACION UNIDAD EUP 1938 C/ TORNILLO		
REFERENCE		F 00H N37 069		
Nº	ROBIEL CODE	REFERENCE	DESCRIPTION	PACK
1	250.20.71	-	Bolt - Tornillo (torque 4.0Nm)	04un.
2	250.21.70	F 00H N35 725	Bolt - Tornillo (torque 2.5Nm)	01un.
3	421.21.18	F 00H N35 723	O-ring - Anillo	01un.
4	421.23.31	F 00H N37 008	O-ring - Anillo	02un.
5	421.04.624	023 997 65 48	O-ring - Anillo	01un.
6	421.05.025	023 997 64 48	O-ring - Anillo	01un.
7	801.00.40	-	Plate - Placa	01un.

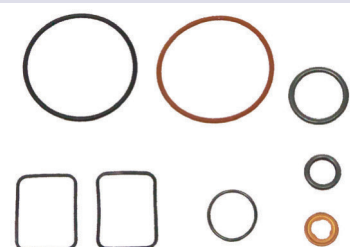

420.37.070		REPAIR RINGS SET - MBB 1938 6C UNIT		
		REPARACION ANILLOS UNIDAD MBB 1938 6C		
REFERENCE				
Nº	ROBIEL CODE	REFERENCE	DESCRIPTION	PACK
3	421.21.18	F 00H N35 723	O-ring - Anillo	01un.
4	421.23.31	F 00H N37 008	Profile Ring - Anillo Perfil	02un.
5	421.04.624	F 00H N35 933 023 997 6548	O-ring - Anillo	01un.
6	421.05.025	023 997 64 48	O-ring - Anillo	01un.



420.37.001		REPAIR PARTS - MBB 1938 NOZZLE HOLDER		
		REPARACION PORTA INYECTOR MBB 1938		
REFERENCE				
Nº	ROBIEL CODE	REFERENCE	DESCRIPTION	PACK
8	421.01.130	A5419970545 2 430 210 082	O-ring - Anillo	01un.
9	421.02.130	2 430 210 081   A 028 997 2148 A 541 997 0545   A 906 017 0360	O-ring - Anillo	01un.
10	600.02.01	906 017 02 60	Washer - Arandela	01un.

420.37.002		REPAIR PARTS - MBB 1938 NOZZLE HOLDER UNIT		
		REPARACION UNIDAD / PORTA INYECTOR MBB 1938		
REFERENCE				
Nº	ROBIEL CODE	REFERENCE	DESCRIPTION	PACK
3	421.21.18	F 00H N35 723	O-ring - Anillo	01un.
4	421.23.31	F 00H N37 008	Profile Ring - Anillo Perfil	02un.
5	421.04.624	023 997 65 48 F 00H N35 933	O-ring - Anillo	01un.
6	421.05.025	023 997 64 48 F 00H N35 932	O-ring - Anillo	01un.
8	421.01.130	A5419970545 2 430 210 082	O-ring - Anillo	01un.
9	421.02.130	2 430 210 081   A 028 997 2148 A 541 997 0545   A 906 017 0360	O-ring - Anillo	01un.
10	600.02.01	906 017 02 60	Washer - Arandela	01un.

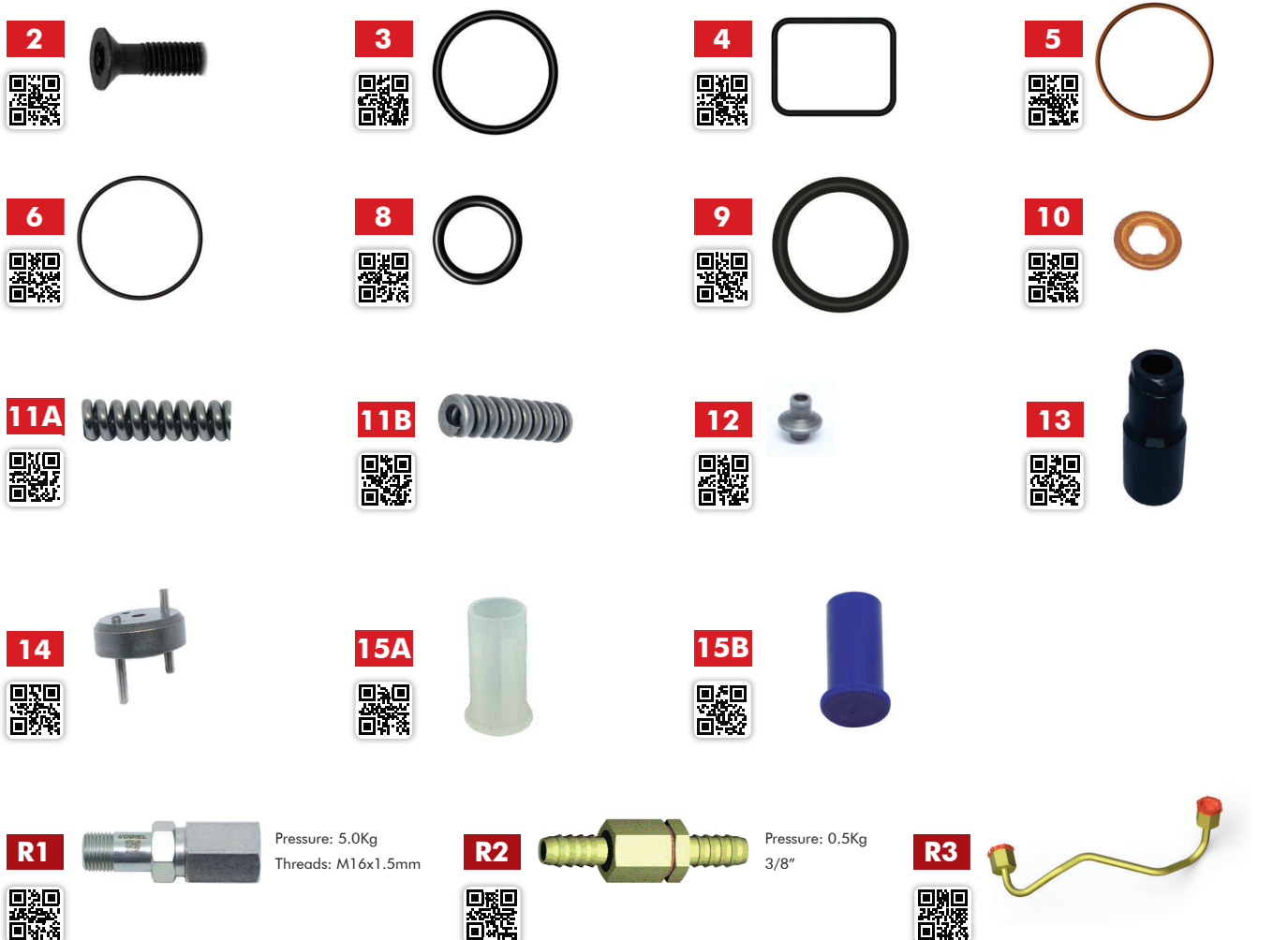



409.00.001		REPAIR PARTS - MBB / SCANIA / IVECO INJECTOR NOZZLE HOLDER		
		REPARACION PORTA INYECTOR MBB / SCANIA / IVECO		
REFERENCE		F 000 431 702		
Nº	ROBIEL CODE	REFERENCE	DESCRIPTION	PACK
11A	225.01.42	2 434 614 040	Spring - Resorte	01un.
12	305.02.12	F 00H B20 001 2 433 124 393	Pin - Top	01un.
14	D00.36.221	2 430 136 221	Intermediate Disc - Disco intermediario	01un.

**SPARE PARTS**  
Repuestos

Nº	ROBIEL CODE	REFERENCE	DESCRIPTION	PACK
2	250.21.70	-	Bolt - Allen - Unit Amature <i>Tornillo Placa Atraque Unidades</i>	06un
3	421.21.18	-	O-Ring - MBB 1938 Unit - 20.50x1.70mm <i>Anillo Unidad MBB 1938</i>	06un
4	421.23.31	F 00H N37 008	Profile Ring - Solenoid - 27.30x34.50x1.70mm <i>Anillo Perfil Solenoide</i>	12un
5	421.04.624	023 997 65 48	O-Ring - MBB 1938 Unit - 45.00x2.50mm <i>Anillo Unidad MBB 1938</i>	06un
6	421.05.025	023 997 64 48	O-Ring - MBB 1938 Unit - 47.00x2.50mm <i>Anillo Unidad MBB 1938</i>	06un
8	421.01.130	A5419970545	O-Ring - MBB 1938 Injection Unit - 11.00x3.00mm <i>Anillo Unidad Inyectora MBB 1938</i>	10un
9	421.02.130	2 430 210 081   A 028 997 2148 A 541 997 0545   A 906 017 0360	O-Ring - MBB 1938 Injection Unit - 21.00x3.00mm <i>Anillo Unidad Inyectora MBB 1938</i>	10un
10	600.02.01	906 017 02 60	Washer - MBB Electronic Unit Nozzle <i>Arandela Tobera Unidad MBB Eletronic</i>	01kit
11A	225.01.42	2 434 614 040	Spring MBB /Scania / Iveco - Injector Nozzle <i>Resorte de la Tobera del Inyector MBB / Scania / Iveco</i>	06un
11B	225.01.37	2 434 614 041	Spring - MBB 1938 Nozzle Holder Pressure <i>Resorte de Presion del Porta Inyector MBB 1938</i>	01un
12	305.02.12	2 433 124 393 F 00Z B20 001	Pin - Pressure - EUI / EUP Unit Nozzle <i>Top de Presion de la Tobera Unidad EUI / EUP</i>	06un
13	315.06.22	2 433 349 503 2 433 349 189	Nut - Nozzle-Retaining 1938 MBB <i>Tapa de la Tobera MBB 1938</i>	02un
14	D00.36.221	2 430 136 221 F 00Z Z20 003	Intermediate Disc - MBB / Scania Electronic <i>Disco Intermedio MBB / Scania Electronica</i>	01un
15A	220.03.08	F 00R J02 537   F 00R J03 561 6.000.900.262	Protective Cap - Injectors / Units Nozzle - 7.00mm <i>Tapa Protectora p/ Tobera Inyectores / Unidades - 7.00mm</i>	01kit
15B	220.03.09	F 00H 410 849   F 00Z C88 080 6.000.900.076	Protective Cap - Injectors / Units Nozzle - 9.00mm <i>Tapa Protectora p/ Tobera Inyectores / Unidades - 9.00mm</i>	01kit
R1	340.03.191	A 457 070 0246	Valve - Gear Pump OM 457 w/ Filter <i>Valvula Bomba de Alimentacion OM 457</i>	01un
R2	340.03.26	Pressure 0.5Kg	RETURN VALVE - MBB 1938 Power Circuit <i>Valvula de Retorno Circuito de Alimentacion MBB 1938</i>	01un
R3	002.01.1033	A 457 070 1033	Tube for Fuel Injection - Electronic MBB 1938 <i>Tubo Inyector MBB 1938 Electronica</i>	01un





**16**

**PLUG - EUI | PDE MBB UNIT**  
TAPON DE LA UNIDAD EUI | PDE MBB



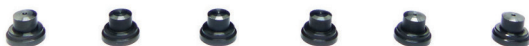
ROBIEL CODE	REFERENCE	THICKNESS(mm)
165.09.50	-	9.50
165.09.51	-	9.51
165.09.52	-	9.52
165.09.53	-	9.53
165.09.54	-	9.54
165.09.55	-	9.55
165.09.56	-	9.56
165.09.57	-	9.57
165.09.58	-	9.58
165.09.59	-	9.59
165.09.60	-	9.60
165.09.61	-	9.61
165.09.62	-	9.62
165.09.63	-	9.63
165.09.64	-	9.64
165.09.66	-	9.66
165.09.67	-	9.67
165.09.68	-	9.68

**02 UNITS**



**415.00.07**

**BOSCH EUP / PLD PLUG KIT**  
KIT DE TAPONES PARA UNIDADES BOSCH EUP / PLD



**06 UNITS BY MEASURE**

**90 UNITS**

**17**

**Plunger - EUI | EUP UNIT VALVE**  
ELEMENTO VALVULA UNIDADES EUI | EUP



ROBIEL CODE	REFERENCE	THICKNESS(mm)
340.05.01	-	7.000
340.05.02	-	7.005
340.05.03	-	7.010
340.05.04	-	7.015
340.05.05	-	7.020
340.05.06	-	7.025
340.05.07	-	7.030
340.05.08	-	7.040
340.05.09	-	7.050
340.05.10	-	7.060
340.05.11	-	7.070

**01 UNIT**



**415.00.06**

**BOSCH EUI / PDE - EUP / PLD VALVES KIT**  
KIT DE VALVULAS PARA UNIDADES BOSCH EUI / PDE - EUP / PLD



**06 UNITS BY MEASURE**

**66 UNITS**

**18** **ARMATURE PLATE - EUI | EUP UNIT**  
**PLACA ATRAQUE UNID EUI | EUP**  
 Ø Int.: 18.50 Ø Ext.: 24.00



ROBIEL CODE	REFERENCE	THICKNESS(mm)
801.03.85	-	3.85
801.03.87	-	3.87
801.03.89	-	3.89
801.03.91	-	3.91
801.03.93	-	3.93
801.03.95	-	3.95
801.03.97	-	3.97
801.03.99	-	3.99
801.03.400	-	4.00
801.03.405	-	4.05
801.03.410	-	4.10

04 UNITS

**415.00.09**

BOSCH EUI / PDE - EUP / PLD ARMATURE PLATE KIT  
 KIT DE PLACAS DE ATRACAMIENTO PARA UNIDADES BOSCH EUI / PDE - EUP / PLD



06 UNITS BY MEASURE

54 UNITS

**19** **SHIM - EUI | PDE - EUP | PLD UNIT NOZZLE**  
**CALZO TOBERA UNIDAD EUI | PDE - EUP | PLD**  
 Ø Int.: 3.00 Ø Ext.: 8.00



ROBIEL CODE	REFERENCE	THICKNESS(mm)
803.09.080	2 430 102 280	0.80
803.09.085	-	0.85
803.09.090	2 430 102 290	0.90
803.09.095	-	0.95
803.09.100	2 430 102 300	1.00
803.09.105	2 430 102 306	1.05
803.09.110	2 430 102 310	1.10
803.09.115	2 430 102 316	1.15
803.09.120	2 430 102 320	1.20
803.09.125	2 430 102 326	1.25
803.09.130	2 430 102 330	1.30
803.09.135	2 430 102 336	1.35
803.09.140	2 430 102 340	1.40
803.09.145	2 430 102 346	1.45
803.09.150	2 430 102 350	1.50
803.09.155	2 430 102 356	1.55
803.09.160	2 430 102 360	1.60
803.09.165	2 430 102 366	1.65
803.09.170	2 430 102 370	1.70
803.09.175	2 430 102 376	1.75
803.09.180	2 430 102 380	1.80
803.09.185	2 430 102 386	1.85
803.09.190	2 430 102 390	1.90
803.09.195	2 430 102 396	1.95
803.09.200	2 430 102 398	2,00

12 UNITS



**323.01.20**

Nozzle tester Adapter  
 MBB Electronic Injector  
 Adaptador Prueba Tobera Inyector  
 MBB Electronica



**323.01.06**

Tip for Torque Wrench  
 MBB Electronic Unit Screw  
 Puntera Torx del Tornillo Unidad  
 Electronica MBB



**323.01.11**

Tip for Torque Wrench  
 Unit Screw  
 Puntera Torx del Tornillo Unidad



**324.28.06**

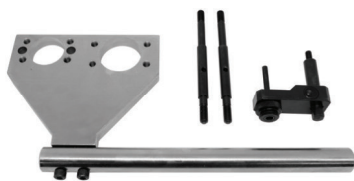
Tool to Test Vacuum Seal  
 Mercedes UP  
 Herramienta para Testar Vacío Unidades  
 Mercedes





**323.01.3241**

Rotating Vise W /  
Indexer Pin  
Morsa Giratoria con Pin index



**323.01.3252**

Adjusting Bracket  
MBB EUP Unit  
Soporte de Regulacion Unidad MBB EUP



**323.02.12**

Cleaning Brush  
Cepillo de Limpieza  
Ø 10.00mm



**323.01.98**

Housing Tool - EUI/EUP Valve  
Herramienta Alojamiento Valvula EUI/EUP  
7.000 to 7.030



**323.01.99**

Polishing Tool - EUI/EUP Seat  
Herramienta Acabamiento Asiento EUI/EUP  
7.000 to 7.030



**323.01.100**

Grinding Tool - EUI/EUP Seat  
Herramienta Rectificar Asiento EUI/EUP  
7.000 to 7.030



**323.02.18**

Housing Tool - EUI/EUP Valve  
Herramienta Alojamiento Valvula EUI/EUP  
7.040 to 7.070



**323.02.19**

Polishing Tool - EUI/EUP Seat  
Herramienta Acabamiento Asiento EUI/EUP  
7.040 to 7.070



**323.02.20**

Grinding Tool - EUI/EUP Seat  
Herramienta Rectificar Asiento EUI/EUP  
7.040 to 7.070



**323.02.13**

Cutting Oil  
Aceite corte



**323.01.792**

Fixing Tool - EUP Unit  
Step Plate  
Herramienta Fijacion de la Placa de  
Apoyo Unidad EUP



**323.50.041**

Bosch EUI | EUP Valve  
Changeover kit  
Kit de Herramientas Unidades  
Bosch EUI | EUP - Troca de la Valvula



**323.50.111**

Bosch EUI | EUP Units Tool Kit  
Kit de Herramientas Unidades  
Bosch EUI | EUP



USE YOUR SMARTPHONE CAMERA TO SCAN THE QR CODE AND ACCESS MORE TECHNICAL INFORMATION FROM OUR PRODUCTS IN **ROBIEL** APP.

USE LA CÁMARA DE SU TELÉFONO PARA ESCANEAR EL CÓDIGO QR Y OBTENER MÁS INFORMACIONES TÉCNICAS SOBRE LOS PRODUCTOS EN NUESTRA APLICACIÓN **ROBIEL**.

**DOWNLOAD OUR NEW APP**  
DESCARGUE NUESTRA NUEVA APLICACIÓN



**VOLVO EUP UNIT**  
UNIDAD VOLVO EUP

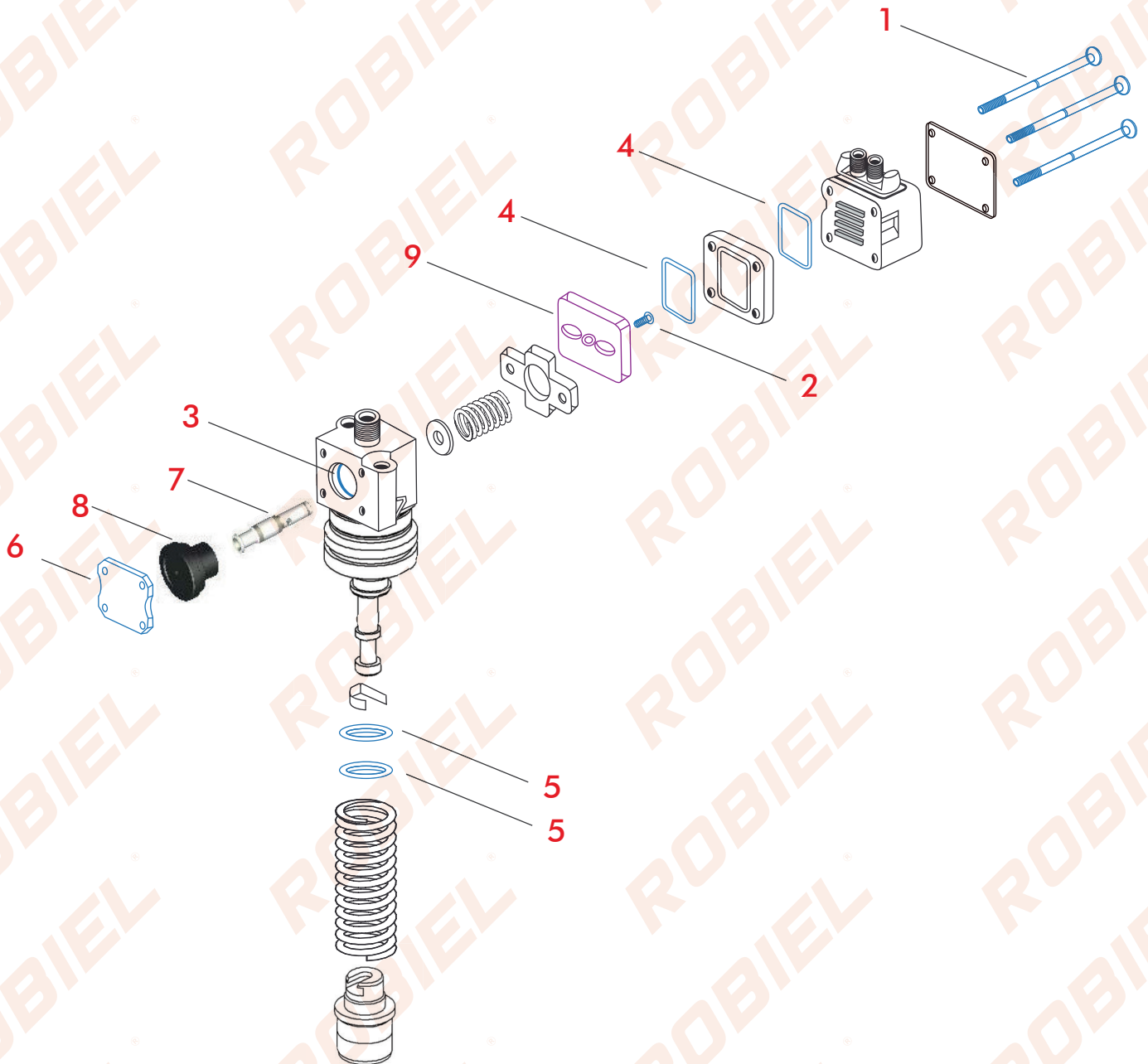
Volvo L120E | L90E | L70E |  
EC210B | EC140B | KHD | Deutz  
D6D Tier 2 | D4D | PLD 1A100

**UNITS CODES**

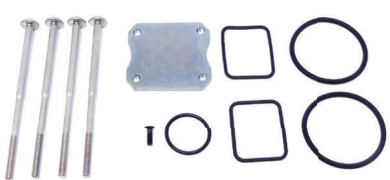

0 414 750 002

0 414 750 003

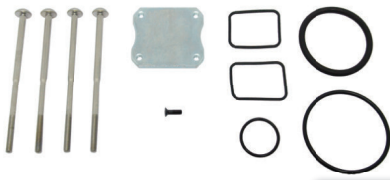

0 414 750 004



420.00.522		REPAIR PARTS - EUP VOLVO UNIT		
REFERENCE		F 000 419 052 - 0 414 750 002   0 414 750 003   0 414 750 004		
Nº	ROBIEL CODE	REFERENCE	DESCRIPTION	PACK
1	250.20.71	-	Bolt - Tornillo (torque 4.0Nm)	04un.
2	250.21.70	F 00H N35 725	Bolt - Tornillo (torque 2.5Nm)	01un.
3	421.21.18	F 00H N35 723	O-ring - Anillo	01un.
4	421.23.31	F 00H N37 008	Profile Ring - Anillo Perfil	02un.
5	421.03.826	F 00Z N37 621 F 00Z N37 072	O-ring - Anillo	02un.
6	801.00.40	-	Plate - Placa	01un.

410.37.7591		REPAIR PARTS - EUP UNITS - RENAULT / MACK TRUCKS		
REFERENCE		F 00H N37 759		
Nº	ROBIEL CODE	REFERENCE	DESCRIPTION	PACK
1	250.20.71	-	Bolt - Tornillo (torque 4.0Nm)	04un
2	250.21.70	F 00H N35 725	Bolt - Tornillo (torque 2.5Nm)	01un
3	421.21.18	F 00H N35 723	O-ring - Anillo	01un
4	421.23.31	F 00H N37 008	O-ring - Anillo	02un
5	421.05.025	F 00H N35 932	O-ring - Anillo	01un
5	421.40.40	F 00H N37 621	O-ring - Anillo	01un
6	801.00.40	-	Plate - Placa	01un

**SPARE PARTS**  
Repuestos

Nº	ROBIEL CODE	REFERENCE	DESCRIPTION	PACK
2	250.21.70	-	Bolt - Allen - Unit Amature <i>Tornillo Placa Atraque Unidades</i>	06un
3	421.21.18	-	O-Ring - VolvoUnit - 20.50x1.70mm <i>Anillo Unidad Volvo</i>	06un
4	421.23.31	-	Profile Ring - Solenoid - 27.30x34.50x1.70mm <i>Anillo Perfil Solenoide</i>	12un



7	Plunger - EUI   EUP UNIT VALVE		
ELEMENTO VALVULA UNIDADES EUI   EUP			
ROBIEL CODE	REFERENCE	THICKNESS(mm)	
340.05.01	-	7.000	
340.05.02	-	7.005	
340.05.03	-	7.010	
340.05.04	-	7.015	
340.05.05	-	7.020	
340.05.06	-	7.025	
340.05.07	-	7.030	
340.05.08	-	7.040	
340.05.09	-	7.050	
340.05.10	-	7.060	
340.05.11	-	7.070	

01 UNIT

**415.00.06** BOSCH EUI / PDE - EUP / PLD VALVES KIT  
KIT DE VALVULAS PARA UNIDADES BOSCH EUI / PDE - EUP / PLD




06 UNITS BY MEASURE  
66 UNITS

**8**

**PLUG - EUI | PDE MBB UNIT**  
TAPON DE LA UNIDAD EUI | PDE MBB



ROBIEL CODE	REFERENCE	THICKNESS(mm)
165.09.50	-	9.50
165.09.51	-	9.51
165.09.52	-	9.52
165.09.53	-	9.53
165.09.54	-	9.54
165.09.55	-	9.55
165.09.56	-	9.56
165.09.57	-	9.57
165.09.58	-	9.58
165.09.59	-	9.59
165.09.60	-	9.60
165.09.61	-	9.61
165.09.62	-	9.62
165.09.63	-	9.63
165.09.64	-	9.64

**02 UNITS**

**415.00.07**

**BOSCH EUP / PLD PLUG KIT**

KIT DE TAPONES PARA UNIDADES BOSCH EUP / PLD



**06 UNITS BY MEASURE**

**90 UNITS**



**323.01.20**

Nozzle tester Adapter  
MBB Electronic Injector  
Adaptador Prueba Tobera Inyector  
MBB Electronica



**323.01.06**

Tip for Torque Wrench  
MBB Electronic Unit Screw  
Puntera Torx del Tornillo Unidad  
Electronica MBB



**323.01.11**

Tip for Torque Wrench  
Unit Screw  
Puntera Torx del Tornillo Unidad



**9**

**ARMATURE PLATE - EUI | EUP UNIT**  
PLACA ATRAQUE UNID EUI | EUP



Ø Int.: 18.50 Ø Ext.: 24.00



ROBIEL CODE	REFERENCE	THICKNESS(mm)
801.03.85	-	3.85
801.03.87	-	3.87
801.03.89	-	3.89
801.03.91	-	3.91
801.03.93	-	3.93
801.03.95	-	3.95
801.03.97	-	3.97
801.03.99	-	3.99
801.03.400	-	4.00
801.03.405	-	4.05
801.03.410	-	4.10

**04 UNITS**

**415.00.09**

BOSCH EUI / PDE - EUP / PLD ARMATURE PLATE KIT  
KIT DE PLACAS DE ATRACAMIENTO PARA UNIDADES BOSCH EUI / PDE - EUP / PLD



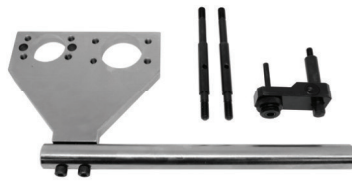
**06 UNITS BY MEASURE**

**54 UNITS**



**323.01.3241**

Rotating Vise W /  
Indexer Pin  
*Morsa Giratoria con Pin index*



**323.01.3252**

Adjusting Bracket  
MBB EUP Unit  
*Soporte de Regulacion Unidad MBB EUP*



**323.02.12**

Cleaning Brush  
*Cepillo de Limpieza*  
Ø 10.00mm



**323.01.98**

Housing Tool - EUI/EUP Valve  
*Herramienta Alojamiento Valvula EUI/EUP*  
7.000 to 7.030



**323.01.99**

Polishing Tool - EUI/EUP Seat  
*Herramienta Acabamiento Asiento EUI/EUP*  
7.000 to 7.030



**323.01.100**

Grinding Tool - EUI/EUP Seat  
*Herramienta Rectificar Asiento EUI/EUP*  
7.000 to 7.030



**323.02.18**

Housing Tool - EUI/EUP Valve  
*Herramienta Alojamiento Valvula EUI/EUP*  
7.040 to 7.070



**323.02.19**

Polishing Tool - EUI/EUP Seat  
*Herramienta Acabamiento Asiento EUI/EUP*  
7.040 to 7.070



**323.02.20**

Grinding Tool - EUI/EUP Seat  
*Herramienta Rectificar Asiento EUI/EUP*  
7.040 to 7.070



**323.02.13**

Cutting Oil  
*Aceite corte*



**323.01.792**

Fixing Tool - EUP Unit  
Step Plate  
*Herramienta Fijacion de la Placa de Apoyo Unidad EUP*



**323.50.041**

Bosch EUI | EUP Valve  
Changeover kit  
*Kit de Herramientas Unidades*  
*Bosch EUI | EUP - Troca de la Valvula*



**323.50.111**

Bosch EUI | EUP Units Tool Kit  
*Kit de Herramientas Unidades*  
*Bosch EUI | EUP*



USE YOUR SMARTPHONE CAMERA TO SCAN THE QR CODE AND ACCESS MORE TECHNICAL INFORMATION FROM OUR PRODUCTS IN **ROBIEL®** APP.

USE LA CÁMARA DE SU TELÉFONO PARA ESCANEAR EL CÓDIGO QR Y OBTENER MÁS INFORMACIONES TÉCNICAS SOBRE LOS PRODUCTOS EN NUESTRA APLICACIÓN **ROBIEL®**.

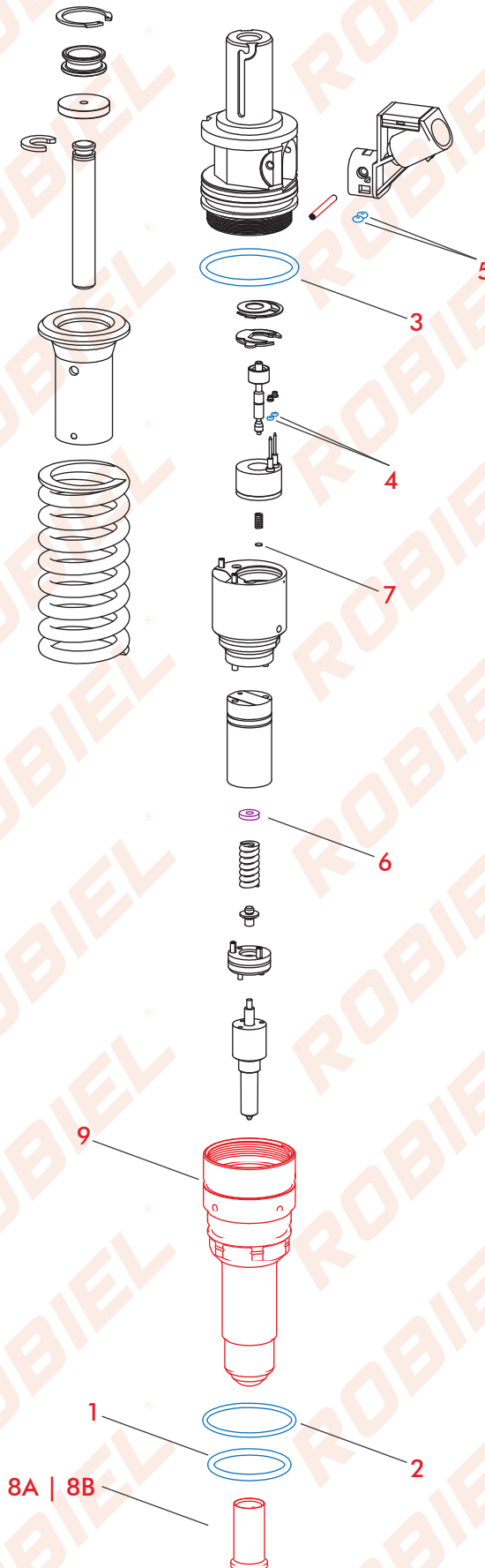
**DOWNLOAD OUR NEW APP**  
DESCARGUE NUESTRA NUEVA APLICACIÓN



**EUI E1 EURO 5 UNIT**  
UNIDAD EUI N3 EURO 5

Case NH  
Iveco

UNITS CODES
0 414 703 004
0 414 703 008
0 414 703 009
0 414 703 010
0 414 703 013

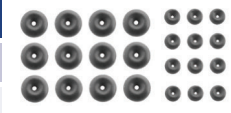




420.22.007		REPAIR RINGS SET - EXTERNAL - BOSCH IVECO/ EURO V UNIT		
		REPARACION ANILLOS EXTERNO UNIDAD BOSCH IVECO EURO V		
REFERENCE		F 00H 4S0 001		
Nº	ROBIEL CODE	REFERENCE	DESCRIPTION	PACK
1	421.03.026	F 00H N36 044	O-ring - Anillo	01un.
2	421.03.516	F 00H 410 535	O-ring - Anillo	01un.
3	421.03.726	F 00H N37 810	O-ring - Anillo	01un.



420.22.009		REPAIR RINGS SET - IVECO/ EURO V UNIT CONNECTOR		
		REPARACION ANILLOS CONECTOR UNIDAD IVECO EURO V		
REFERENCE				
Nº	ROBIEL CODE	REFERENCE	DESCRIPTION	PACK
4	421.00.071	-	Lower connector ring - Anillo Conector Inferior	12un.
5	421.00.072	F 00H 410 535	Top connector ring - Anillo Conector Superior	12un.



**SPARE PARTS**  
Repuestos

Nº	ROBIEL CODE	REFERENCE	DESCRIPTION	PACK
8A	220.03.08	F 00R J02 537   F 00R J03 561 6.000.900.262	Protective Cap - Injectors / Units Nozzle - 7.00mm Tapa Protectora p/ Tobera Inyectores / Unidades - 7.00mm	01kit
8B	220.03.09	F 00H 410 849   F 002 C88 080 6.000.900.076	Protective Cap - Injectors / Units Nozzle - 9.00mm Tapa Protectora p/ Tobera Inyectores / Unidades - 9.00mm	01kit
9	315.06.73	F 00H 410 533	Iveco Euro 5 ( Stralis / Trakker ) Nozzle Nut Porta Tobera Iveco Euro 5 (Stralis / Trakker)	01kit



6	SHIM - EUI EURO 5 UNIT NOZZLE CALZO TOBERA UNIDAD EUI EURO 5		
			Ø Int.: 3.00 Ø Ext.: 8.00
ROBIEL CODE	REFERENCE	THICKNESS(mm)	
803.09.080	2 430 102 280	0.80	
803.09.085	-	0.85	
803.09.090	2 430 102 290	0.90	
803.09.095	-	0.95	
803.09.10	2 430 102 300	1.00	
803.09.105	-	1.05	
803.09.11	2 430 102 310	1.10	
803.09.115	2 430 102 316	1.15	
803.09.12	2 430 102 320	1.20	
803.09.125	2 430 102 326	1.25	
803.09.13	2 430 102 330	1.30	
803.09.135	2 430 102 336	1.35	
803.09.14	2 430 102 340	1.40	
803.09.145	2 430 102 346	1.45	
803.09.15	2 430 102 350	1.50	
803.09.155	2 430 102 356	1.55	
803.09.16	2 430 102 360	1.60	
803.09.165	2 430 102 366	1.65	
803.09.17	2 430 102 370	1.70	
803.09.175	2 430 102 376	1.75	
803.09.18	2 430 102 380	1.80	
803.09.185	2 430 102 386	1.85	
803.09.19	2 430 102 390	1.90	
803.09.195	2 430 102 396	1.95	
803.09.20	2 430 102 398	2.00	

**12 UNITS**



7	SHIM - EUI N3 EURO 5 UNIT ARMATURE CALZO ATRAQUE EUI N3 EURO 5 UNIDAD		
			Ø Ext.: 2.80
ROBIEL CODE	REFERENCE	THICKNESS(mm)	
800.28.030	-	0.30	
800.28.035	-	0.35	
800.28.040	-	0.40	
800.28.045	-	0.45	
800.28.050	-	0.50	
800.28.060	-	0.60	

**12 UNITS**



**323.01.221**

Nozzle tester Adapter  
Euro 5 Units  
Adaptador Prueba Tobera  
Unidades Euro 5



**323.01.64**

Device for Removal the  
Iveco Drive  
Dispositivo para Retirar el Comando Iveco

USE YOUR SMARTPHONE CAMERA TO SCAN THE QR CODE AND ACCESS MORE TECHNICAL INFORMATION FROM OUR PRODUCTS IN **ROBIEL**' APP.

USE LA CÁMARA DE SU TELÉFONO PARA ESCANEAR EL CÓDIGO QR Y OBTENER MÁS INFORMACIONES TÉCNICAS SOBRE LOS PRODUCTOS EN NUESTRA APLICACIÓN **ROBIEL**.

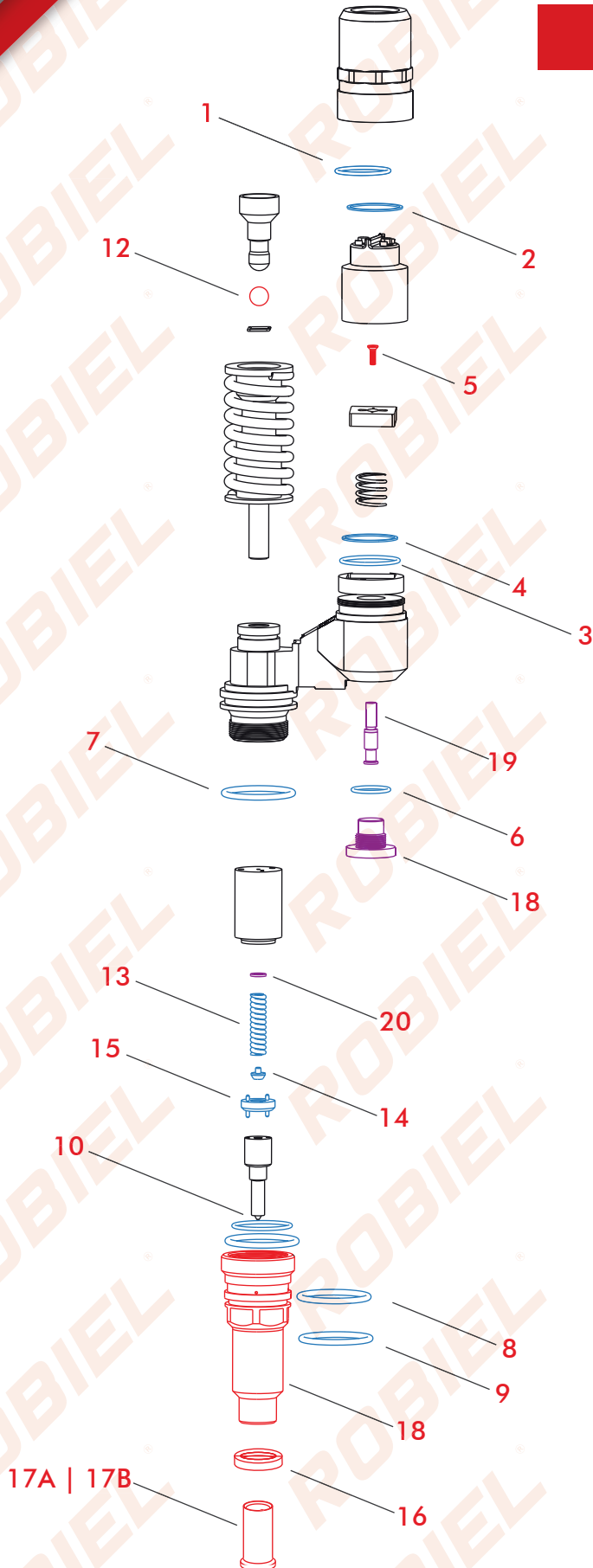
**DOWNLOAD OUR NEW APP**  
DESCARGUE NUESTRA NUEVA APLICACIÓN



**EUI | PDE UNIT**  
UNIDAD EUI | PDE

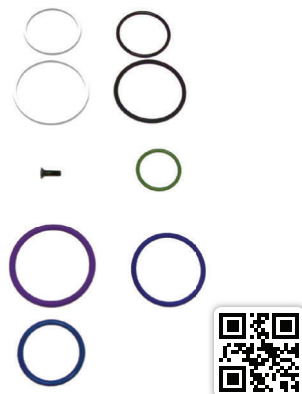
Scania  
Iveco

SCANIA UNITS	VOLVO UNITS	IVECO STRALIS CURSOR 13 UNITS	IVECO CAVALLINO CURSOR 8 UNITS
0 414 701 005	0 414 701 004	0 414 701 006	0 414 700 002
0 414 701 007	0 414 702 002	0 414 701 013	0 414 700 003
0 414 701 008	0 414 702 003	0 414 701 021	0 414 700 004
0 414 701 016	0 414 702 005	0 414 701 022	0 414 700 005
0 414 701 017	0 414 702 006	-	0 414 700 006
0 414 701 018	0 414 702 007	-	0 414 700 007
0 414 701 019	0 414 702 009	-	0 414 700 008
0 414 701 020	0 414 702 010	-	0 414 700 010
0 414 701 030	0 414 702 012	-	-
0 414 701 032	0 414 702 013	-	-
0 414 701 035	0 414 702 014	-	-
0 414 701 036	0 414 702 015	-	-
0 414 701 043	0 414 702 016	-	-
0 414 701 044	-	-	-
0 414 701 045	-	-	-
0 414 701 046	-	-	-



**420.22.000 REPAIR PARTS - SCANIA 124 UNIT (OVERHAUL)**  
 REPARACION UNIDAD SCANIA 124 COMPLETA

REFERENCE				
Nº	ROBIEL CODE	REFERENCE	DESCRIPTION	PACK
1	424.02.628	F 00H N37 928 F 00H 410 850	Teflon Ring - Anillo Teflon	01 un.
2	421.02.615		O-ring - Anillo	01 un.
3	424.03.437		Teflon Ring - Anillo Teflon	01 un.
4	421.03.220		O-ring - Anillo	01 un.
5	250.21.70		Bolt - Tornillo	01 un.
6	421.01.918		O-ring - Anillo	01 un.
7	421.03.530	F 00V X99 999 142.2564	O-ring - Anillo	01 un.
8	421.03.224		O-ring - Anillo	01 un.
9	421.02.524		O-ring - Anillo	01 un.



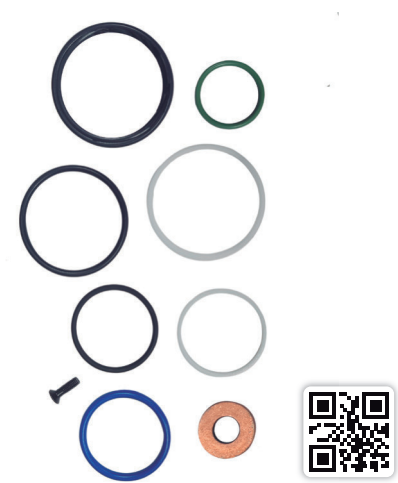
**420.22.011 REPAIR PARTS - SCANIA 124 W/ INJECTION NOZZLE WASHER**  
 REPARACION UNIDAD SCANIA 124 CON ARANDELA DE LA TOBERA

REFERENCE		F 00H 410 850   F 00H N37 928   F 00V X99 999   SCANIA 1398810   1422564		
Nº	ROBIEL CODE	REFERENCE	DESCRIPTION	PACK
1	424.02.628	-	Teflon Ring - Anillo Teflon	01 un.
2	421.02.615	-	O-ring - Anillo	01 un.
3	424.03.437	F 00H N37 326	Teflon Ring - Anillo Teflon	01 un.
4	421.03.220	F 00H N37 327	O-ring - Anillo	01 un.
5	250.21.70	F 00H N35 725	Bolt - Tornillo	01 un.
6	421.01.918	F 00H N36 540	O-ring - Anillo	01 un.
7	421.03.530	F 00H N35 728	O-ring - Anillo	01 un.
8	421.03.224	F 00H N37 149	O-ring - Anillo	01 un.
9	421.02.524	F 00H N37 150	O-ring - Anillo	01 un.
10	609.20.20B	1421424	Washer - Arandela	01 un.

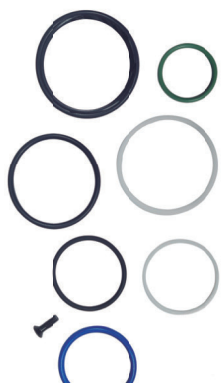



**420.22.012 REPAIR PARTS - SCANIA 124 EURO V W/ INJECTION NOZZLE WASHER**  
 JUEGO DE REPARACION - SCANIA 124 EURO V CON ARANDELA DE LA TOBERA

REFERENCE				
Nº	ROBIEL CODE	REFERENCE	DESCRIPTION	PACK
1	424.02.628	-	O-ring - Anillo	01 pç.
2	421.02.518	-	O-ring - Anillo	01 pç.
3	424.03.437	F 00H N37 326	O-ring - Anillo	01 pç.
4	421.03.220	F 00H N37 327	O-ring - Anillo	01 pç.
5	250.21.70	F 00H N35 725	Bolt - Tornillo	01 pç.
6	421.01.918	F 00H N36 540	O-ring - Anillo	01 pç.
7	421.03.430	-	O-ring - Anillo	01 pç.
9	421.02.524	F 00H N37 150	O-ring - Anillo	01 pç.
16	609.20.20B	1421424	Washer - Arandela	01 pç.



420.22.013		REPAIR RINGS SET - EXTERNAL - SCANIA 124 UNIT		
		REPARACION ANILLOS EXTERNO UNIDAD SCANIA 124		
REFERENCE				
Nº	ROBIEL CODE	REFERENCE	DESCRIPTION	PACK
1	424.02.628	-	O-ring - Anillo	01pç.
2	421.02.518	-	O-ring - Anillo	01pç.
3	424.03.437	F 00H N37 326	O-ring - Anillo	01pç.
4	421.03.220	F 00H N37 327	O-ring - Anillo	01pç.
5	250.21.70	F 00H N35 725	Bolt - Tornillo	01pç.
6	421.01.918	F 00H N36 540	O-ring - Anillo	01pç.
7	421.03.430	-	O-ring - Anillo	01pç.
9	421.02.524	F 00H N37 150	O-ring - Anillo	01pç.

420.22.564		REPAIR RINGS SET - EXTERNAL - SCANIA 124 UNIT		
		REPARACION ANILLOS EXTERNO UNIDAD SCANIA 124		
REFERENCE				
F 00V X99 999   142.2564				
Nº	ROBIEL CODE	REFERENCE	DESCRIPTION	PACK
7	421.03.530	F 00H N35 728	O-ring - Anillo	01un.
8	421.03.224	F 00H N37 149	O-ring - Anillo	01un.
9	421.02.524	F 00H N37 150	O-ring - Anillo	01un.




420.22.565		REPAIR PARTS - SCANIA 124 UNIT EXTERNAL RINGS W/ INJECTION NOZZLE WASHER		
		REPARACION ANILLOS EXTERNO UNIDAD SCANIA 124 C/ ARANDELA DE LA TOBERA		
REFERENCE				
F 00V X99 999   SCANIA 1422564				
Nº	ROBIEL CODE	REFERENCE	DESCRIPTION	PACK
7	421.03.530	F 00H N35 728	O-ring - Anillo	01un.
8	421.03.224	F 00H N37 149	O-ring - Anillo	01un.
9	421.02.524	F 00H N37 150	O-ring - Anillo	01un.
10	609.20.20B	1421424	Washer - Arandela	01un.




420.22.566		REPAIR PARTS - SCANIA 124 EURO V EUI UNIT INJECTOR EXTERNAL ORINGS		
		REPARACIÓN DE ANILLOS UNIDAD SCANIA 124 EURO V		
REFERENCE				
Nº	ROBIEL CODE	REFERENTE	DESCRIPTION	PACK
7	421.03.430	-	O-ring - Anillo	01pç.
9	421.02.524	F 00H N37 150	O-ring - Anillo	01pç.

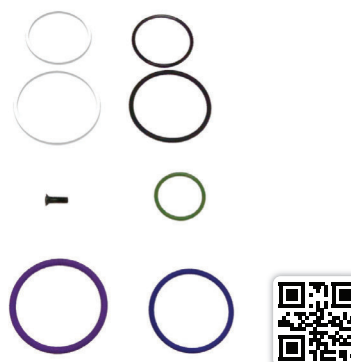



420.37.927		REPAIR RINGS SET - INTERNAL - SCANIA UNIT NUT		
		REPARACION ANILLOS INTERNO TUERCA UNIDAD SCANIA		
REFERENCE		F 00H N37 927		
Nº	ROBIEL CODE	REFERENCE	DESCRIPTION	PACK
10	424.03.234	F 00H N37 343	Teflon Ring - Anillo Teflon	01un.
11	421.03.117	F 00H N37 195	O-ring - Anillo	01un.

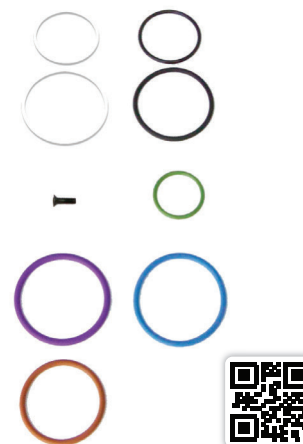
0 414 701 005 | 007 | 008 | 016 UNITS



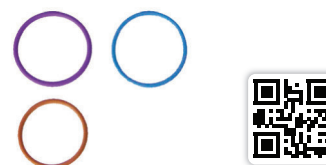
420.22.002		REPAIR PARTS - VOLVO/BOSCH UNIT (OVERHAUL)		
		REPARACION UNIDAD VOLVO BOSCH COMPLETA		
REFERENCE				
Nº	ROBIEL CODE	REFERENCE	DESCRIPTION	PACK
1	424.02.628	F 00H N37 928	Teflon Ring - Anillo Teflon	01un.
2	421.02.615		O-ring - Anillo	01un.
3	424.03.437		Teflon Ring - Anillo Teflon	01un.
4	421.03.220		O-ring - Anillo	01un.
5	250.21.70		Bolt - Tornillo	01un.
6	421.01.918		O-ring - Anillo	01un.
7	421.03.530	F 00V X99 992	O-ring - Anillo	01un.
8	421.03.224		O-ring - Anillo	01un.



420.22.0041		REPAIR PARTS - IVECO STRALIS UNIT		
		REPARACION UNIDAD IVECO STRALIS		
REFERENCE				
Nº	ROBIEL CODE	REFERENCE	DESCRIPTION	PACK
1	424.02.628	F 00H N37 928	Teflon Ring - Anillo Teflon	01un.
2	421.02.615		O-ring - Anillo	01un.
3	424.03.437		Teflon Ring - Anillo Teflon	01un.
4	421.03.220		O-ring - Anillo	01un.
5	250.21.70		Bolt - Tornillo	01un.
6	421.01.918		O-ring - Anillo	01un.
7	421.03.530	F 00V X99 995	O-ring - Anillo	01un.
8	421.03.426		O-ring - Anillo	01un.
9	421.03.026		O-ring - Anillo	01un.




420.X9.9995		REPAIR RINGS SET - EXTERNAL - IVECO/STRALIS UNIT		
		REPARACION ANILLOS EXTERNO UNIDAD IVECO STRALIS		
REFERENCE		F 00V X99 995		
Nº	ROBIEL CODE	REFERENCE	DESCRIPTION	PACK
7	421.03.530	F 00V X99 995	O-ring - Anillo	01un.
8	421.03.426		O-ring - Anillo	01un.
9	421.03.026		O-ring - Anillo	01un.



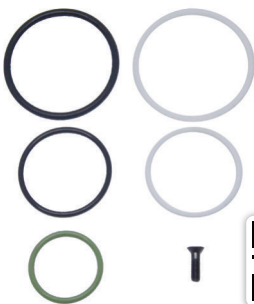

<b>420.X99.996 REPAIR RINGS SET - EXTERNAL - IVECO/CAVALLINO UNIT</b> REPARACION ANILLOS EXTERNO UNIDAD IVECO CAVALLINO				
REFERENCE		F 00V X9 996		
Nº	ROBIEL CODE	REFERENCE	DESCRIPTION	PACK
7	421.03.026	F 00H N37 036	O-ring - Anillo	01un.
8	421.02.825	F 00H N37 331	O-ring - Anillo	01un.
9	421.02.726	F 00H N36 044	O-ring - Anillo	01un.





<b>420.22.008 REPAIR PARTS - IVECO 320/ CAVALLINO UNIT (OVERHAUL)</b> REPARACION UNIDAD IVECO 320 CAVALLINO COMPLETA				
REFERENCE				
Nº	ROBIEL CODE	REFERENCE	DESCRIPTION	PACK
1	424.02.628	F 00H N37 928	Teflon Ring - Anillo Teflon	01un.
2	421.02.615		O-ring - Anillo	01un.
3	424.03.437		Teflon Ring - Anillo Teflon	01un.
4	421.03.220		O-ring - Anillo	01un.
5	250.21.70		Bolt - Tornillo	01un.
6	421.01.918		O-ring - Anillo	01un.
7	421.03.026	F 00V X99 996	O-ring - Anillo	01un.
8	421.02.825		O-ring - Anillo	01un.
9	421.02.726		O-ring - Anillo	01un.



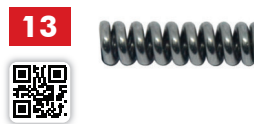

<b>420.37.9282 REPAIR PARTS - SCANIA/IVECO SOLENOID</b> REPARACION SOLENOIDE SCANIA / IVECO				
REFERENCE		F 00H N37 928		
Nº	ROBIEL CODE	REFERENCE	DESCRIPTION	PACK
1	424.02.628	-	Teflon Ring - Anillo Teflon	01un.
2	421.02.615	-	O-ring - Anillo	01un.
3	424.03.437	F 00H N37 326	Teflon Ring - Anillo Teflon	01un.
4	421.03.220	F 00H N37 327	O-ring - Anillo	01un.
5	250.21.70	F 00H N35 725	Bolt - Tornillo	01un.
6	421.01.918	F 00H N36 540	O-ring - Anillo	01un.

<b>409.00.001 REPAIR PARTS - SCANIA / IVECO INJECTOR NOZZLE HOLDER</b> REPARACION PORTA INYECTOR SCANIA / IVECO				
REFERENCE		F 000 431 702		
Nº	ROBIEL CODE	REFERENCE	DESCRIPTION	PACK
13	225.01.42	2 434 614 040	Spring - Resorte	01un.
14	305.02.12	F 00H B20 001 2 433 124 393	Pressure Pin - Top de presion	01un.
15	D00.36.221	2 430 136 221	Intermediate Disc - Disco Intermedio	01un.

SPARE PARTS Repuestos				
Nº	ROBIEL CODE	REFERENCE	DESCRIPTION	PACK
5	250.21.70	F 00H N35 725	Bolt - Allen - Unit Amature <i>Tornillo Placa Atraque Unidades</i>	06un.
12	190.50.10	-	Ball - Ø 10.00mm <i>Bolilla Valvula Ø10.00mm</i>	06un.
13	225.01.42	2 434 614 040	Spring - MBB / Scania / Iveco Injector Nozzle <i>Resorte de la Tobera del Inyector MBB / Scania / Iveco</i>	06un.
14	305.02.12	F 00Z B20 001 2 433 124 393	Pin - Pressure - EUI / EUP Unit Nozzle <i>Top de Presion de la Tobera Unidad EUI / EUP</i>	06un.
15	D00.36.221	2 430 136 221	Intermediate Disc - MBB / Scania Eletronic <i>Disco Intermedio MBB / Scania Eletronico</i>	01un.
16	609.20.20B	1421424	Washer - Scania 420 Unit Nozzle <i>Arandela Tobera Unidad Scania 420</i>	06un.
17A	220.03.08	F 00R J02 537   F 00R J03 561 6.000.900.262	Protective Cap - Injectors / Units Nozzle - 7.00mm <i>Tapa Protectora p/ Tobera Inyectores / Unidades - 7.00mm</i>	01kit
17B	220.03.09	F 00H 410 849   F 00Z C88 080 6.000.900.076	Protective Cap - Injectors / Units Nozzle - 9.00mm <i>Tapa Protectora p/ Tobera Inyectores / Unidades - 9.00mm</i>	01kit
18	315.06.77	-	Iveco Nozzle Nut - Stralis / Trakker Euro 3 <i>Porta Tobera Iveco - Stralis / Trakker Euro 3</i>	01un.
R1	340.03.163	1379215 2 417 413 092   2 417 413 108	Return Valve - Scania 124 6.0 bar - 380   420 <i>Valvula de Retorno Scania 124 6.0 bar</i>	01un.
R2	340.03.165	-	Return Valve - Scania 124 3.5 bar - 380   420 <i>Valvula de Retorno Scania 124 3.5 bar</i>	01un.
R3	340.03.31	1368497 - 2 417 413 085	Return Valve - Iveco/Stralis 4.5 bar <i>Valvula de Retorno Iveco/Stralis 4.5 bar</i>	01un.



20

SHIM - EUI | PDE - EUP | PLD UNIT NOZZLE CALZO TOBERA UNIDAD EUI | PDE - EUP | PLD

Ø Int.: 3.00 Ø Ext.: 8.00



ROBIEL CODE	REFERENCE	THICKNESS(mm)	ROBIEL CODE	REFERENCE	THICKNESS(mm)
803.09.080	2 430 102 280	0,80	803.09.145	2 430 102 346	1,45
803.09.085	-	0,85	803.09.15	2 430 102 350	1,50
803.09.090	2 430 102 290	0,90	803.09.155	2 430 102 356	1,55
803.09.095	-	0,95	803.09.16	2 430 102 360	1,60
803.09.10	2 430 102 300	1,00	803.09.165	2 430 102 376	1,65
803.09.105	2 430 102 306	1,05	803.09.17	2 430 102 370	1,70
803.09.11	2 430 102 310	1,10	803.09.175	2 430 102 376	1,75
803.09.115	2 430 102 316	1,15	803.09.18	2 430 102 380	1,80
803.09.12	2 430 102 320	1,20	803.09.185	2 430 102 386	1,85
803.09.125	2 430 102 326	1,25	803.09.19	2 430 102 390	1,90
803.09.13	2 430 102 330	1,30	803.09.195	2 430 102 390	1,95
803.09.135	2 30 102 336	1,35	803.09.20	2 430 102 398	2,00
803.09.14	2 430 102 340	1,40			

12 UNITS

**18**

**PLUG - EUI | PDE UNIT**  
TAPON DE LA UNIDAD EUI | PDE



ROBIEL CODE	REFERENCE	THICKNESS(mm)
165.12.72	-	14.72
165.12.73	-	14.73
165.12.74	-	14.74
165.12.75	-	14.75
165.12.76	-	14.76
165.12.77	-	14.77
165.12.78	-	14.78
165.12.79	-	14.79
165.12.80	-	14.80

**02 UNITS**

**19**

**Plunger - EUI | EUP UNIT VALVE**  
ELEMENTO VALVULA UNIDADES EUI | EUP



ROBIEL CODE	REFERENCE	THICKNESS(mm)
340.05.01	-	7.000
340.05.02	-	7.005
340.05.03	-	7.010
340.05.04	-	7.015
340.05.05	-	7.020
340.05.06	-	7.025
340.05.07	-	7.030
340.05.08	-	7.040
340.05.09	-	7.050
340.05.10	-	7.060
340.05.11	-	7.070

**02 UNITS**

**415.00.08**

**BOSCH EUI / PDE PLUG KIT**  
KIT DE TAPONES PARA UNIDADES BOSCH EUI / PDE



**06 UNITS BY MEASURE**

**54 UNITS**

**415.00.06**

**BOSCH EUI / PDE - EUP / PLD VALVES KIT**  
KIT DE VALVULAS PARA UNIDADES BOSCH EUI / PDE - EUP / PLD



**06 UNITS BY MEASURE**

**66 UNITS**





**323.01.151**

Nozzle tester Adapter - Scania  
EUI - Volvo Penta Unit  
Adaptador Prueba Tobera Unidad  
Scania EUI - Volvo Pent  
Screw M31x1.00mm



\*Not applied to Volvo unit 0 414 701 003

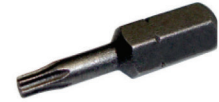


**323.01.22**

Nozzle tester Adapter - Iveco  
Cavallino Unit  
Adaptador Prueba Tobera Unidad  
Iveco Cavallino  
Screw M31x1.00mm



\*Not applied to Volvo unit 0 414 701 003



**323.01.11**

Tip for Torque Wrench  
Unit Screw  
Puntera Torx del Tornillo Unidad



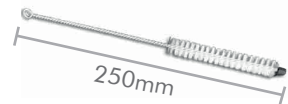
**324.08.38**

Octagonal Wrench  
Llave Octagonal  
Ø38.00mm



**323.02.13**

Cutting Oil  
Aceite corte



**323.02.12**

Cleaning Brush  
Cepillo de Limpieza  
Ø 10.00mm



**323.01.98**

Housing Tool - EUI/EUP Valve  
Herramienta Alojamiento Valvula EUI/EUP  
7.000 to 7.030



**323.01.99**

Polishing Tool - EUI/EUP Seat  
Herramienta Acabamiento Asiento EUI/EUP  
7.000 to 7.030



**323.01.100**

Grinding Tool - EUI/EUP Seat  
Herramienta Rectificar Asiento EUI/EUP  
7.000 to 7.030



**323.02.18**

Housing Tool - EUI/EUP Valve  
Herramienta Alojamiento Valvula EUI/EUP  
7.040 to 7.070



**323.02.19**

Polishing Tool - EUI/EUP Seat  
Herramienta Acabamiento Asiento EUI/EUP  
7.040 to 7.070



**323.02.20**

Grinding Tool - EUI/EUP Seat  
Herramienta Rectificar Asiento EUI/EUP  
7.040 to 7.070





**324.28.05**

Tool For Sealing Test - Iveco  
Cursor 8  
*Herramienta Para Prueba de Estanquidad Del  
Iveco Cursor 8*



**324.28.07**

Tool For Sealing Test - Scania  
*Herramienta Para Prueba de Estanquidad Del  
Scania*



**323.50.041**

Bosch EUI | EUP Valve  
Changeover kit  
*Kit de Herramientas Unidades  
Bosch EUI | EUP - Troca de la Valvula*



**323.50.111**

Bosch EUI | EUP Units Tool Kit  
*Kit de Herramientas Unidades  
Bosch EUI | EUP*



**323.01.64**

Device for Removal the  
Iveco Drive  
*Dispositivo para Sacar el Comando Iveco*



**323.01.3241**

Rotating Vise W /  
Indexer Pin  
*Morsa Giratoria con Pin index*



**324.15.01**

Injectors and Units Repair  
Bracket  
*Soporte para reparacion  
de Inyectores y Unidades*



**324.15.05**

Clamp Set for Units  
*Clip de las Unidades*



USE YOUR SMARTPHONE CAMERA TO SCAN THE QR CODE AND ACCESS MORE TECHNICAL INFORMATION FROM OUR PRODUCTS IN **ROBIEL**' APP.

USE LA CÁMARA DE SU TELÉFONO PARA ESCANEAR EL CÓDIGO QR Y OBTENER MÁS INFORMACIONES TÉCNICAS SOBRE LOS PRODUCTOS EN NUESTRA APLICACIÓN **ROBIEL**.

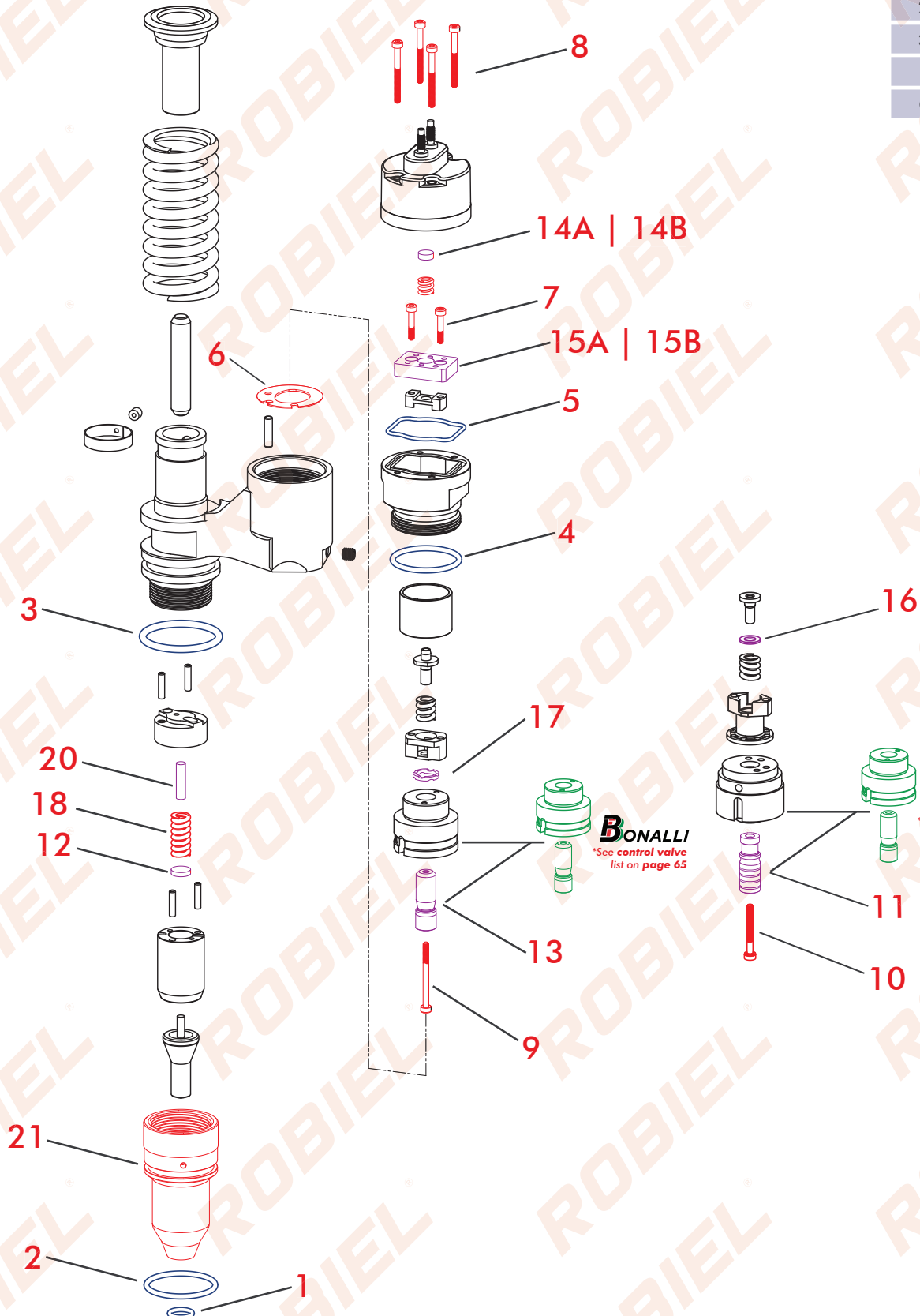
**DOWNLOAD OUR NEW APP**  
DESCARGUE NUESTRA NUEVA APLICACIÓN



**CATERPILLAR C10 | C12 UNIT**  
UNIDAD CATERPILLAR C10 | C12

**UNITS CODES**

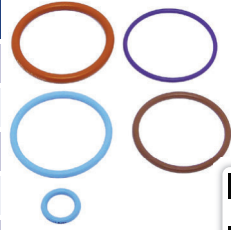
- 212-3464
- 317-5278
- 10R-0725
- CH12082



**BONALLI**  
\*See control valve list on page 65

**410.61.3198 REPAIR PARTS - EUI CATERPILLAR C10/C12 UNIT**  
 REPARACION UNIDAD EUI CATERPILLAR C10/C12

REFERENCE		1198784.000   2153198.000   9X7317.000		
Nº	ROBIEL CODE	REFERENCE	DESCRIPTION	PACK
1	421.01.021	9X-7317	O-ring - Anillo	01un.
2	421.03.326	230-3728	O-ring - Anillo	01un.
3	421.03.535	215-3198	O-ring - Anillo	01un.
4	421.03.226	-	O-ring - Anillo	01un.
5	421.03.516	-	O-ring - Anillo	01un.



**410.61.012 EXTERNAL REPAIR PARTS - CAT C10/C12**  
 REPARACIÓN EXTERNA UNIDAD CAT C10/C12

REFERENCE		1198784.000   2153198.000   9X7317.000		
Nº	ROBIEL CODE	REFERENCE	DESCRIPTION	PACK
1	421.01.021	9X-7317	O-ring - Anillo	01un.
2	421.03.326	230-3728	O-ring - Anillo	01un.
3	421.03.535	215-3198	O-ring - Anillo	01un.



**SPARE PARTS**  
 Repuestos

Nº	ROBIEL CODE	REFERENCE	DESCRIPTION	PACK
6	800.00.02	-	Deflector Shim - Volvo / Caterpillar Unit Solenoid <i>Deflector Solenoide Unidad Volvo / Caterpillar</i>	06un.
7	250.22.0316	-	Bolt - Allen - Caterpillar Unit Armature <i>Tornillo Allen Atraque Unid Caterpillar</i>	08un.
8	250.21.06	-	Bolt - Allen Solenoid Volvo / Caterpillar Unit <i>Tornillo Allen Solenoide Unidad Volvo / Caterpillar</i>	04un.
9	250.22.0335	-	Bolt - Caterpillar Unit Valve <i>Tornillo de la Valvula Unidad Caterpillar</i>	12un.
10	250.21.08	-	Bolt - Allen Volvo / Caterpillar Unit Valve <i>Tornillo Allen del Barril Unidad Volvo / Caterpillar</i>	04un.
18	225.01.63	-	Solenoid Spring Caterpillar EUI A1/A2 /CAT3500/C10/C15 - Ø 5.80 MM <i>Resorte de la tobera Unid Cat 3500/C15/C10</i>	12un.
19	225.01.69	-	Solenoid Spring Delphi EUI A1/A2 / CAT3500 / C10 / C15 - Ø 5.80 MM <i>Resorte del Solenoide Delphi EUI A1/A2 / CAT3500 / C10 / C15 - Ø 5.80 MM</i>	06un.
21	315.06.68	118-9030 / 118-9035	Caterpillar Nozzle Nut C10/C12 <i>Porta Tobera Caterpillar C12/C15</i>	01un.



**14 A SHIM - CATERPILLAR UNIT SOLENOID**  
 CALZO SOLENOIDE UNIDAD CATERPILLAR  
 Ø 7.70 - INOX

ROBIEL CODE	REFERENCE	THICKNESS(mm)
800.08.250	-	2.50
800.08.255	-	2.55
800.08.260	-	2.60
800.08.265	-	2.65
800.08.270	-	2.70
800.08.275	-	2.75
800.08.280	-	2.80
800.08.285	-	2.85
800.08.290	-	2.90
800.08.295	-	2.95
800.08.300	-	3.00
800.08.305	-	3.05
800.08.310	-	3.10
800.08.320	-	3.20


**14 B SHIM - CATERPILLAR UNIT SOLENOID**  
 CALZO SOLENOIDE UNIDAD CATERPILLAR  
 Ø 7.70 - BRASS

ROBIEL CODE	REFERENCE	THICKNESS(mm)
303.01.08	-	2.30
303.01.09	-	2.35
303.01.10	-	2.40
303.01.11	-	2.45
303.01.12	-	2.50
303.01.13	-	2.55
303.01.01	-	2.60
303.01.02	-	2.65
303.01.03	-	2.70
303.01.04	-	2.75
303.01.05	-	2.80
303.01.06	-	2.85
303.01.07	-	2.90

12 UNITS


12 UNITS

**11** **Plunger - CATERPILLAR**  
**VOLVO D12 A/C UNIT VALVE**  
ELEMENTO VALVULA UNIDAD CATERPILLAR / VOLVO D12 A/C




ROBIEL CODE	REFERENCE	THICKNESS(mm)
340.06.0000	-	10.000
340.06.005	-	10.005
340.06.010	DP-V1000	10.010
340.06.015	-	10.015
<b>01 UNIT</b>		

**13** **Plunger - CATERPILLAR**  
**DELPHI UNIT VALVE**  
ELEMENTO VALVULA UNIDAD CATERPILLAR / DELPHI




ROBIEL CODE	REFERENCE	THICKNESS(mm)
340.07.200	-	10.200
340.07.205	-	10.205
340.07.210	-	10.210
340.07.215	-	10.215
<b>01 UNIT</b>		

**12** **SHIM - CATERPILLAR UNIT NOZZLE**  
CALCO DO BICO UNIDAD CATERPILLAR



ROBIEL CODE	REFERENCE	THICKNESS(mm)
800.10.150	-	1.50
800.10.155	-	1.55
800.10.160	-	1.60
800.10.165	-	1.65
800.10.170	-	1.70
800.10.175	-	1.75
800.10.180	-	1.80
800.10.185	-	1.85
800.10.190	-	1.90
800.10.195	-	1.95
800.10.200	-	2.00
800.10.205	-	2.05
800.10.210	-	2.10
800.10.215	-	2.15
800.10.220	-	2.20
800.10.225	-	2.25
800.10.230	-	2.30
800.10.235	-	2.35
800.10.240	-	2.40
800.10.245	-	2.45
800.10.250	-	2.50
800.10.255	-	2.55
800.10.260	-	2.60
800.10.265	-	2.65
800.10.270	-	2.70
800.10.275	-	2.75
<b>12 UNITS</b>		

**20** **NOZZLE PIN CAT EUI UNIT**  
PIN DE RESTRICIÓN DE LA TOBERA  
UNIDADES CATERPILLAR



ROBIEL CODE	REFERENCE	THICKNESS(mm)
800.05.1880	-	18.80
800.05.1882	-	18.82
800.05.1884	-	18.84
800.05.1886	-	18.86
800.05.1888	-	18.88
800.05.1890	-	18.90
800.05.1892	-	18.92
800.05.1894	-	18.94
800.05.1896	-	18.96
800.05.1898	-	18.98
800.05.1900	-	19.00
800.05.1902	-	19.02
800.05.1904	-	19.04
800.05.1906	-	19.06
800.05.1908	-	19.08
800.05.1910	-	19.10
<b>06 UNITS</b>		



**324.17.342**  
Grinding Tool To  
Deflector Seat  
Herramienta Rectificar  
Asiento Deflector



**324.18.342**  
Polishing Tool To  
Deflector Seat  
Herramienta  
Acabamiento Asiento  
Deflector



**323.02.13**  
Cutting Oil  
250ml  
Aceite Corte 250ml



**323.50.221**  
Delphi EUI / CAT EUI C10 / C12 / C15 / C18 / C32 / 3500 Series Tool Kit  
Juego Herramientas  
Unidades Delphi EUI / CAT EUI C10 / C12 / C15 / C18 / C32 / 3500



**323.50.231**  
Delphi EUI Serie A1 / A3 Volvo D12A / D12C - Caterpillar EUI C10 / C12 / C15 / C18 / C32 / 3500 Series Tool Kit  
Juego Herramientas  
Unidades Delphi EUI / Serie A1 / A3 Volvo D12A / D12C - Caterpillar EUI C10 / C12 / C15 / C18 / C32 / 3500

**16**

**SHIM - SPRING PRESSURE**

**CALZO DE PRESION DEL RESORTE**

Ø INT.: 5.40 Ø EXT.: 10.20



ROBIEL CODE	REFERENCE	THICKNESS(mm)
805.10.05	-	0.05
805.10.050	-	0.50
805.10.060	-	0.60
805.10.070	-	0.70
805.10.080	-	0.80
805.10.090	-	0.90
805.10.095	-	0.95
805.10.100	-	1.00
805.10.105	-	1.05
805.10.110	-	1.10
805.10.115	-	1.15
805.10.120	-	1.20
805.10.125	-	1.25
805.10.130	-	1.30

12 UNITS

**17**

**CORRUGATED SHIM FOR CAT**

**C10/C12/3500 VALVE**

**CALZO ONDULADO VALVULA CAT C10/12/3500**



ROBIEL CODE	REFERENCE	THICKNESS(mm)
800.13.190	-	1.90
800.13.191	-	1.91
800.13.192	-	1.92
800.13.193	-	1.93
800.13.194	-	1.94
800.13.195	-	1.95
800.13.196	-	1.96
800.13.197	-	1.97
800.13.198	-	1.98
800.13.199	-	1.99
800.13.200	-	2.00
800.13.201	-	2.01
800.13.202	-	2.02

06 UNITS

**15 A**

**ARMATURE PLATE**

**PLACA DE ATRAQUE**



ROBIEL CODE	REFERENCE	THICKNESS(mm)
801.06.60	-	6,60
801.06.62	-	6,62
801.06.64	-	6,64
801.06.66	-	6,66
801.06.68	-	6,68
801.06.70	-	6,70
801.06.71	-	6,71
801.06.72	-	6,72
801.06.73	-	6,73
801.06.74	-	6,74
801.06.75	-	6,75
801.06.76	-	6,76
801.06.77	-	6,77
801.06.78	-	6,78
801.06.80	-	6,80
801.06.82	-	6,82
801.06.84	-	6,84
801.06.86	-	6,86

EMBALAGEM COM 06 PEÇAS

**15 B**

**ARMATURE PLATE**

**PLACA DE ATRAQUE**



ROBIEL CODE	REFERENCE	THICKNESS(mm)
801.08.01	-	8.01
801.08.03	-	8.03
801.08.05	-	8.05
801.08.07	-	8.07
801.08.09	-	8.09
801.08.11	-	8.11
801.08.13	-	8.13
801.08.15	-	8.15
801.08.17	-	8.17
801.08.19	-	8.19
801.08.21	-	8.21
801.08.23	-	8.23
801.08.25	-	8.25

06 UNITS

USE YOUR SMARTPHONE CAMERA TO SCAN THE QR CODE AND ACCESS MORE TECHNICAL INFORMATION FROM OUR PRODUCTS IN **ROBIEL** APP.

USE LA CÁMARA DE SU TELÉFONO PARA ESCANEAR EL CÓDIGO QR Y OBTENER MÁS INFORMACIONES TÉCNICAS SOBRE LOS PRODUCTOS EN NUESTRA APLICACIÓN **ROBIEL**.

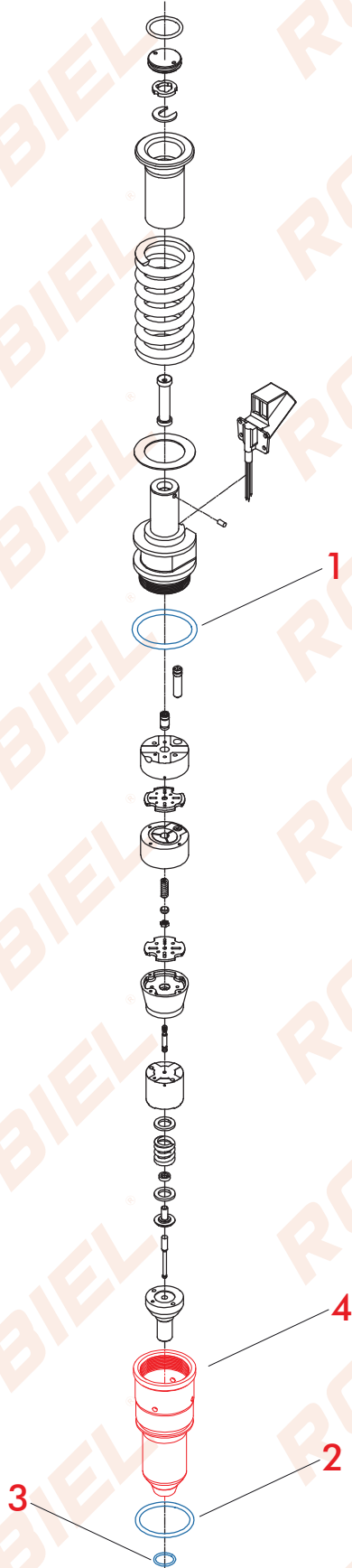
**DOWNLOAD OUR NEW APP**  
DESCARGUE NUESTRA NUEVA APLICACIÓN



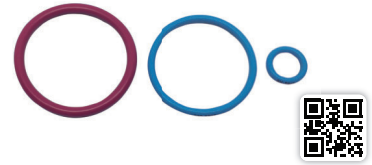
## CATERPILLAR C13 | C15 UNIT

UNIDAD CATERPILLAR C13 | C15

3406E - 14.6L | PERKINS



410.61.015		EXTERNAL REPAIR PARTS - CAT C13 / CAT C15 ACERT		
		REPARACION ANILLOS EXTERNOS CAT C13 / CAT C15 ACERT		
REFERENCE		248-1394		
Nº	ROBIEL CODE	REFERENCE	DESCRIPTION	PACK
1	421.03.635	2303775.000	O-ring - Anillo	01un.
2	421.03.326	2303728.000	O-ring - Anillo	01un.
3	421.01.021	9X7317.000	O-ring - Anillo	01un.



SPARE PARTS				
Repuestos				
Nº	ROBIEL CODE	REFERENCE	DESCRIPTION	PACK
4	315.06.74	-	Caterpillar Nozzle Nut C13/C15 <i>Porta Tobera Caterpillar C13/C15</i>	01un.



**323.01.3241**  
 ROTATING VISE W/ INDEXER PIN  
 Morsa giratoria con pin index



**324.15.01**  
 INJECTORS REPAIR BRACKET  
 SOPORTE PARA REPARACION DE INYECTORES



**324.13.271**  
 DEVICE TO REMOVE THE DELPHI/CAT UNIT PULLER SPRING  
 DISPOSITIVO PARA EXTRACCION RESORTE EXTERNO UNID DELPHI/CAT





USE YOUR SMARTPHONE CAMERA TO SCAN THE QR CODE AND ACCESS MORE **TECHNICAL INFORMATION** FROM OUR PRODUCTS IN **ROBIEL** APP.

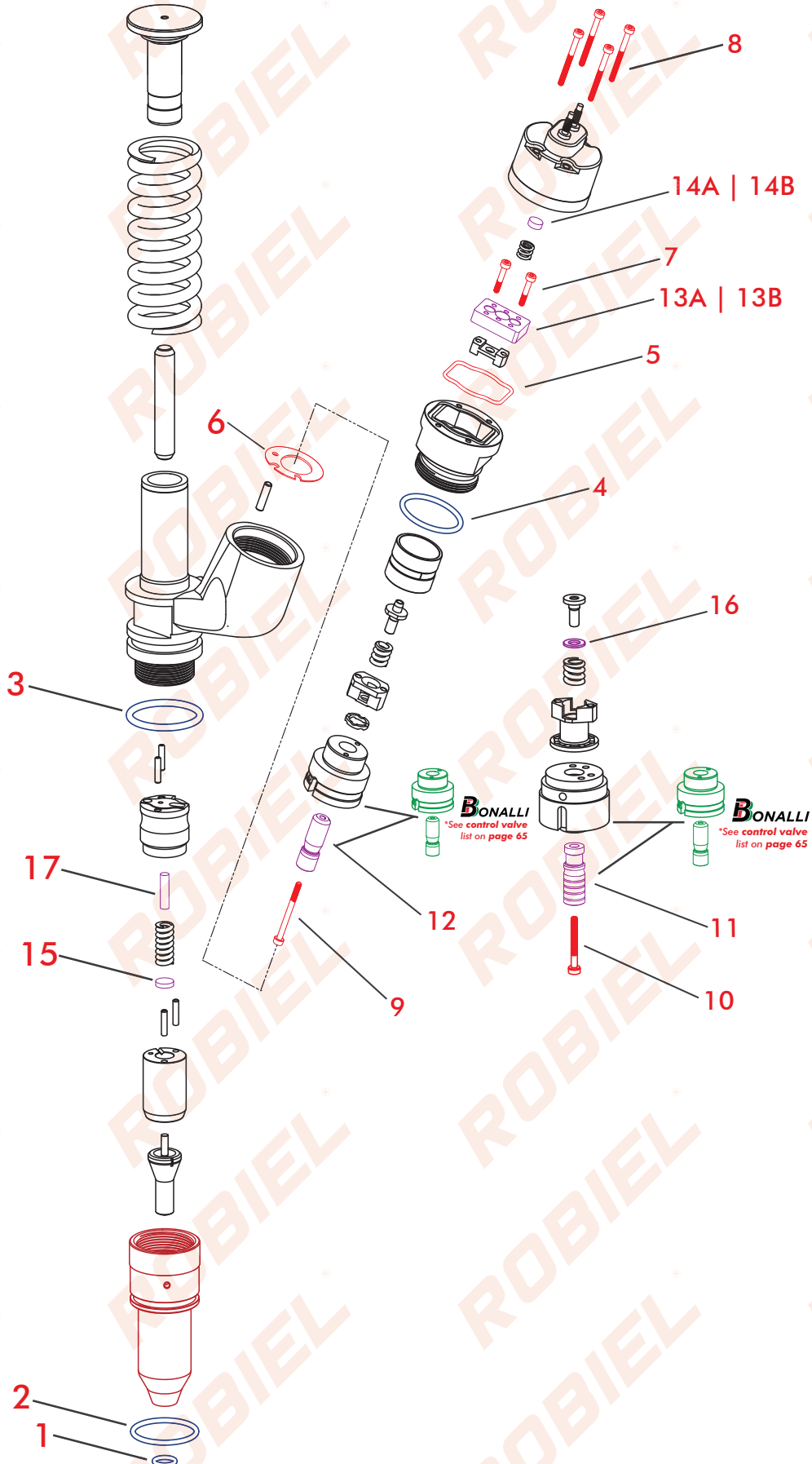
USE LA CÁMARA DE SU TELÉFONO PARA ESCANEAR EL CÓDIGO QR Y OBTENER MÁS **INFORMACIONES TÉCNICAS** SOBRE LOS PRODUCTOS EN NUESTRA APLICACIÓN **ROBIEL**.

**DOWNLOAD OUR NEW APP**  
DESCARGUE NUESTRA NUEVA APLICACIÓN



## CATERPILLAR C15 | C32 UNIT

UNIDAD CATERPILLAR C15 | C32



### UNITS CODES

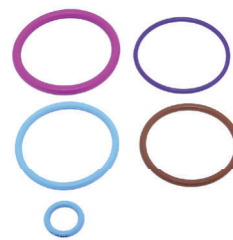
118-9030
118-9035
140-8993
211-3023
249-0709
249-0713
253-0615
291-5911
10R-8988
20R-2284
20R-2285
OR-4893
OR-4894
OR-9256
CH10948
CH11945

**BONALLI**  
\*See control valve list on page 65

**BONALLI**  
\*See control valve list on page 65

**410.61.394 REPAIR PARTS - EUI CATERPILLAR C15/C32 UNIT**  
 REPARACION UNIDAD EUI CATERPILLAR C10/C12

REFERENCE		248-1394		
Nº	ROBIEL CODE	REFERENCE	DESCRIPTION	PACK
1	421.01.021	9X-7317	O-ring - Anillo	01un.
2	421.03.326	230-3728	O-ring - Anillo	01un.
3	421.03.635	230-3775	O-ring - Anillo	01un.
4	421.03.226	-	O-ring - Anillo	01un.
5	421.03.516	-	O-ring - Anillo	01un.



**SPARE PARTS**  
 Repuestos

Nº	ROBIEL CODE	REFERENCE	DESCRIPTION	PACK
6	800.00.02	-	Deflector Shim - Volvo / Caterpillar Unit Solenoid <i>Deflector Solenoide Unidad Volvo / Caterpillar</i>	06un.
7	250.22.0316	-	Bolt - Allen - Caterpillar Unit Armature <i>Tornillo Allen Atraque Unid Caterpillar</i>	08un.
8	250.21.06	-	Bolt - Allen Solenoid Volvo / Caterpillar Unit <i>Tornillo Allen Solenoide Unidad Volvo / Caterpillar</i>	04un.
9	250.22.0335	-	Bolt - Caterpillar Unit Valve <i>Tornillo de la Valvula Unidad Caterpillar</i>	12un.
10	250.21.08	-	Bolt - Allen Volvo / Caterpillar Unit Valve <i>Tornillo Allen del Barril Unidad Volvo / Caterpillar</i>	04un.
18	225.01.63	-	Solenoid Spring Caterpillar EUI A1/A2 /CAT3500/C10/C15 - Ø 5.80 MM <i>Resorte de la tobera Unid Cat 3500/C15/C10</i>	12un.
19	225.01.69	-	Solenoid Spring Delphi EUI A1/A2 /CAT3500/C10/C15 - Ø 5.80 MM <i>Resorte del Solenoide Delphi EUI A1/A2 / CAT3500 / C10 / C15 - Ø 5.80 MM</i>	06un.
21	315.06.65	-	Caterpillar Nozzle Nut C12/C15 <i>Porta Tobera Caterpillar C12/C15</i>	01un.



**13 A** **ARMATURE PLATE**  
 PLACA DE ATRAQUE




ROBIEL CODE	REFERENCE	THICKNESS(mm)
801.06.60	-	6.60
801.06.62	-	6.62
801.06.64	-	6.64
801.06.66	-	6.66
801.06.68	-	6.68
801.06.70	-	6.70
801.06.71	-	6.71
801.06.72	-	6.72
801.06.73	-	6.73
801.06.74	-	6.74
801.06.75	-	6.75
801.06.76	-	6.76
801.06.78	-	6.78
801.06.80	-	6.80
801.06.82	-	6.82
801.06.84	-	6.84
801.06.86	-	6.86


**13 B** **ARMATURE PLATE**  
 PLACA DE ATRAQUE




ROBIEL CODE	REFERENCE	THICKNESS(mm)
801.08.01	-	8.01
801.08.03	-	8.03
801.08.05	-	8.05
801.08.07	-	8.07
801.08.09	-	8.09
801.08.11	-	8.11
801.08.13	-	8.13
801.08.15	-	8.15
801.08.17	-	8.17
801.08.19	-	8.19
801.08.21	-	8.21
801.08.23	-	8.23
801.08.25	-	8.25

06 UNITS

14 A	SHIM - CATERPILLAR UNIT SOLENOID CALZO SOLENOIDE UNIDAD CATERPILLAR 		
	Ø 7.70 - INOX		
	ROBIEL CODE	REFERENCE	THICKNESS(mm)
	800.08.250	-	2.50
	800.08.255	-	2.55
	800.08.260	-	2.60
	800.08.265	-	2.65
	800.08.270	-	2.70
	800.08.275	-	2.75
	800.08.280	-	2.80
	800.08.285	-	2.85
	800.08.290	-	2.90
	800.08.295	-	2.95
	800.08.300	-	3.00
	800.08.310	-	3.10
	800.08.310	-	3.10
	800.08.320	-	3.20
<b>12 UNITS</b>			

14 B	SHIM - CATERPILLAR UNIT SOLENOID CALZO SOLENOIDE UNIDAD CATERPILLAR 		
	Ø 7.70 - BRASS		
	ROBIEL CODE	REFERENCE	THICKNESS(mm)
	303.01.08	-	2.30
	303.01.09	-	2.35
	303.01.10	-	2.40
	303.01.11	-	2.45
	303.01.12	-	2.50
	303.01.13	-	2.55
	303.01.01	-	2.60
	303.01.02	-	2.65
	303.01.03	-	2.70
	303.01.04	-	2.75
	303.01.05	-	2.80
	303.01.06	-	2.85
	303.01.07	-	2.90
<b>12 UNITS</b>			

15	FH12 SPRING ARMATURE SHIM CALZO DE PRESION DEL RESORTE FH12		
	Ø INTERNAL: 5.40 Ø EXTERNAL: 10.20		
	CÓD. ROBIEL	REFERÊNCIA	ESPESSURA(mm)
	805.10.05	-	0.05
	805.10.050	-	0.50
	805.10.060	-	0.60
	805.10.070	-	0.70
	805.10.080	-	0.80
	805.10.090	-	0.90
	805.10.095	-	0.95
	805.10.100	-	1.00
	805.10.105	-	1.05
	805.10.110	-	1.10
	805.10.115	-	1.15
	805.10.120	-	1.20
	805.10.125	-	1.25
	805.10.130	-	1.30
<b>12 UNITS</b>			

17	NOZZLE PIN CAT EUI UNIT PIN DE RESTRICIÓN DE LA TOBERA UNIDADES CATERPILLAR 		
	ROBIEL CODE	REFERENCE	THICKNESS(mm)
	800.05.1880	-	18.80
	800.05.1882	-	18.82
	800.05.1884	-	18.84
	800.05.1886	-	18.86
	800.05.1888	-	18.88
	800.05.1890	-	18.90
	800.05.1892	-	18.92
	800.05.1894	-	18.94
	800.05.1896	-	18.96
	800.05.1898	-	18.98
	800.05.1900	-	19.00
	800.05.1902	-	19.02
	800.05.1904	-	19.04
	800.05.1906	-	19.06
	800.05.1908	-	19.08
	800.05.1910	-	19.10
<b>06 UNITS</b>			

**15**

**SHIM - CATERPILLAR UNIT NOZZLE**  
CALZO DO BICO UNIDAD CATERPILLAR

ROBIEL CODE	REFERENCE	THICKNESS(mm)
800.10.150	-	1.50
800.10.155	-	1.55
800.10.160	-	1.60
800.10.165	-	1.65
800.10.170	-	1.70
800.10.175	-	1.75
800.10.180	-	1.80
800.10.185	-	1.85
800.10.190	-	1.90
800.10.195	-	1.95
800.10.200	-	2.00
800.10.205	-	2.05
800.10.210	-	2.10
800.10.215	-	2.15
800.10.220	-	2.20
800.10.225	-	2.25
800.10.230	-	2.30
800.10.235	-	2.35
800.10.240	-	2.40
800.10.245	-	2.45
800.10.250	-	2.50
800.10.255	-	2.55
800.10.260	-	2.60
800.10.265	-	2.65
800.10.270	-	2.70
800.10.275	-	2.75

12 UNITS

**20**

**CORRUGATED SHIM FOR CAT**  
C10/C12/3500 VALVE



ROBIEL CODE	REFERENCE	THICKNESS(mm)
800.13.190	-	1.90
800.13.191	-	1.91
800.13.192	-	1.92
800.13.193	-	1.93
800.13.194	-	1.94
800.13.195	-	1.95
800.13.196	-	1.96
800.13.197	-	1.97
800.13.198	-	1.98
800.13.199	-	1.99
800.13.200	-	2.00
800.13.201	-	2.01
800.13.202	-	2.02

06 UNITS

**12**

**Plunger - CATERPILLAR**  
**DELPHI UNIT VALVE**  
ELEMENTO VALVULA UNIDAD CATERPILLAR / DELPHI



ROBIEL CODE	REFERENCE	THICKNESS(mm)
340.07.200	-	10.200
340.07.205	-	10.205
340.07.210	-	10.210
340.07.215	-	10.215

01 UNIT

**11**

**Plunger - CATERPILLAR**  
**VOLVO D12 A/C UNIT VALVE**  
ELEMENTO VALVULA UNIDAD CATERPILLAR / VOLVO D12 A/C



ROBIEL CODE	REFERENCE	THICKNESS(mm)
340.06.0000	-	10.000
340.06.005	-	10.005
340.06.010	DP-V1000	10.010
340.06.015	-	10.015

01 UNIT



**324.17.004**

Grinding Tool for Caterpillar  
C15 Unit Nozzle Seat  
Herramienta Rectificar Asiento Tobera  
Unidad Caterpillar C15



**323.50.221**

Delphi EUI / Caterpillar EUI  
C10/C12/C15/C18/C32/ 3500  
Series Tool Kit  
Kit de Herramienta Unidades Delphi EUI  
Caterpillar EUI C10/C12/C15/C32/ 3500  
Series



**323.50.231**

Delphi EUI Serie A1/A3 Volvo  
D12A/D12C - Caterpillar EUI  
C10/C12/C15/C18/C32/3500  
Series Tool Kit  
Kit de Herramienta Unidades Delphi EUI Serie  
A1/A3 Volvo D12A/D12C/ Caterpillar EUI  
C10/C12/C15/C18/C32/ 3500 Series



USE YOUR SMARTPHONE CAMERA TO SCAN THE QR CODE AND ACCESS MORE **TECHNICAL INFORMATION** FROM OUR PRODUCTS IN **ROBIEL** APP.

USE LA CÁMARA DE SU TELÉFONO PARA ESCANEAR EL CÓDIGO QR Y OBTENER MÁS **INFORMACIONES TÉCNICAS** SOBRE LOS PRODUCTOS EN NUESTRA APLICACIÓN **ROBIEL**:

**DOWNLOAD OUR NEW APP**  
DESCARGUE NUESTRA NUEVA APLICACIÓN



## EUI CATERPILLAR 3500 UNIT

UNIDAD EUI CATERPILLAR 3500

**UNITS CODES**

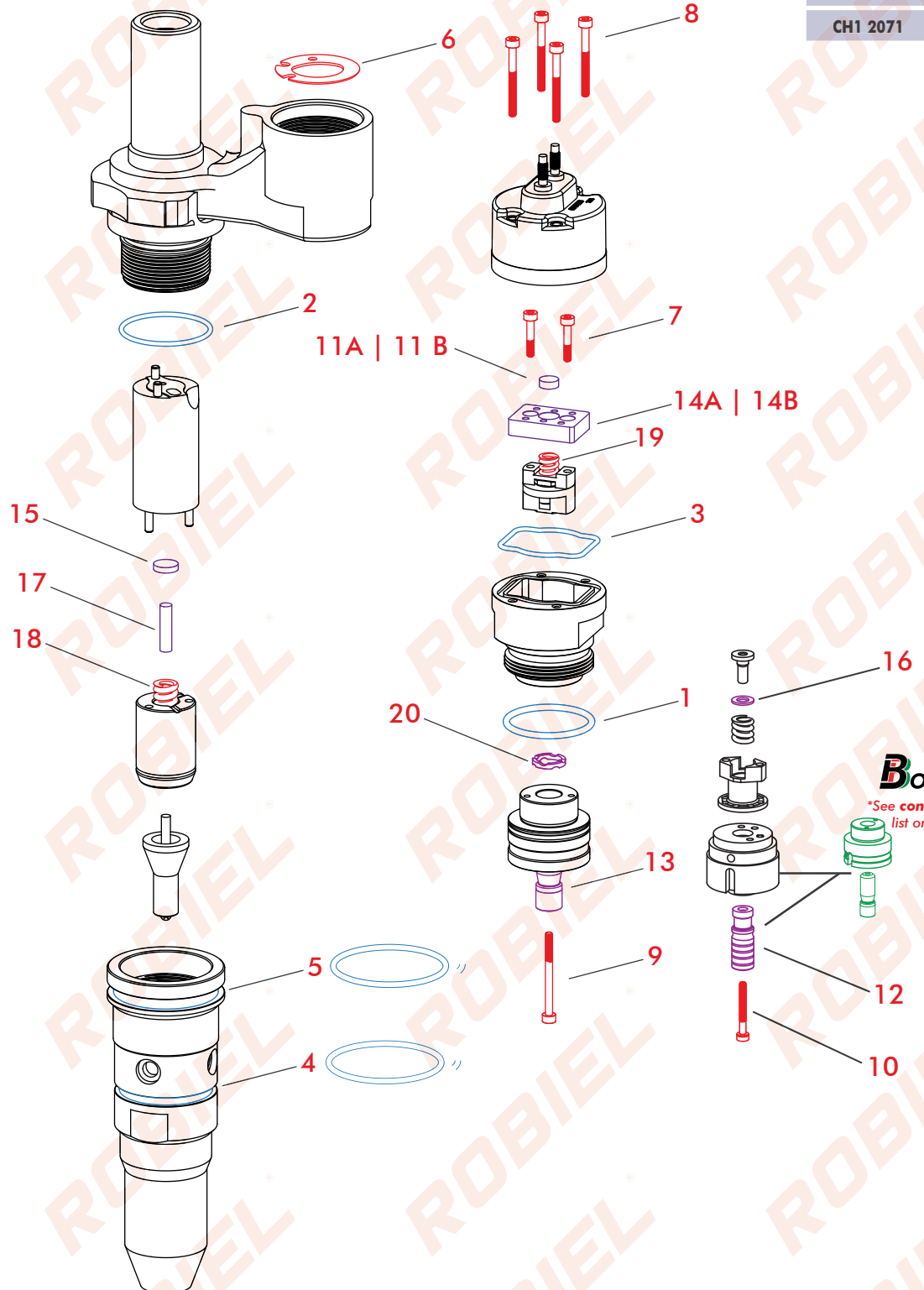
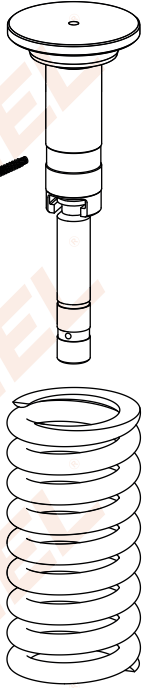
253 0615

212 3464

10R 0725

211 3023

CH1 2071



**BONALLI**

\*See control valve list on page 65

410.61.3500		REPAIR PARTS - CATERPILLAR 3500 UNIT		
		REPARACION UNID CATERPILLAR 3500		
REFERENCE		DP-K1008		
Nº	ROBIEL CODE	REFERENCE	DESCRIPTION	PACK
1	421.03.226	-	O-ring - Anillo	01un.
2	421.03.318	-	O-ring - Anillo	01un.
3	421.03.516	-	O-ring - Anillo	01un.
4	421.03.626	-	O-ring - Anillo	01un.
5	421.04.135	-	O-ring - Anillo	01un.



SPARE PARTS				
Repuestos				
Nº	ROBIEL CODE	REFERENCE	DESCRIPTION	PACK
6	800.00.02	-	Deflector Shim - Volvo / Caterpillar Unit Solenoid <i>Deflector Solenoide Unidad Volvo / Caterpillar</i>	06un.
7	250.22.0316	-	Bolt - Allen - Caterpillar Unit Armature <i>Tornillo Allen Atraque Unid Caterpillar</i>	08un.
8	250.21.06	-	Bolt - Allen Solenoid Volvo / Caterpillar Unit <i>Tornillo Allen Solenoide Unidad Volvo / Caterpillar</i>	04un.
9	250.22.0335	-	Bolt - Caterpillar Unit Valve <i>Tornillo de la Valvula Unidad Caterpillar</i>	12un.
10	250.21.08	-	Bolt - Allen Volvo / Caterpillar Unit Valve <i>Tornillo Allen del Barril Unidad Volvo / Caterpillar</i>	04un.
18	225.01.63	-	Solenoid Spring Caterpillar EUI A1/A2 /CAT3500/C10/C15 - Ø 5.80 MM <i>Resorte de la tobera Unid Cat 3500/C15/C10</i>	12un.
19	225.01.69	-	Solenoid Spring Delphi EUI A1/A2 / CAT3500 / C10 / C15 - Ø 5.80 MM <i>Resorte del Solenoide Delphi EUI A1/A2 / CAT3500 / C10 / C15 - Ø 5.80 MM</i>	06un.

\*For deflector application. use tools: 324.17.342 and 324.18.342. \* Para la aplicación del deflector, utilizar las herramientas 324.17.342 y 324.18.342.



14 A	SHIM - CATERPILLAR UNIT SOLENOID		
	CALZO SOLENOIDE UNIDAD CATERPILLAR		
Ø 7.70 - INOX			
	ROBIEL CODE	REFERENCE	THICKNESS(mm)
	800.08.250	-	2.50
	800.08.255	-	2.55
	800.08.260	-	2.60
	800.08.265	-	2.65
	800.08.270	-	2.70
	800.08.275	-	2.75
	800.08.280	-	2.80
	800.08.285	-	2.85
	800.08.290	-	2.90
	800.08.295	-	2.95
	800.08.300	-	3.00
	800.08.310	-	3.10
	800.08.310	-	3.10
	800.08.320	-	3.20
12 UNITS			

14 B	SHIM - CATERPILLAR UNIT SOLENOID		
	CALZO SOLENOIDE UNIDAD CATERPILLAR		
Ø 7.70 - BRASS			
	ROBIEL CODE	REFERENCE	THICKNESS(mm)
	303.01.08	-	2.30
	303.01.09	Ø 10.00	2.35
	303.01.10	-	2.40
	303.01.11	-	2.45
	303.01.12	-	2.50
	303.01.13	-	2.55
	303.01.01	-	2.60
	303.01.02	-	2.65
	303.01.03	-	2.70
	303.01.04	-	2.75
	303.01.05	-	2.80
	303.01.06	-	2.85
	303.01.07	-	2.90
12 UNITS			

**14  
A**
**ARMATURE PLATE**  
 PLACA DE ATRAQUE


ROBIEL CODE	REFERENCE	THICKNESS(mm)
801.06.60	-	6.60
801.06.62	-	6.62
801.06.64	-	6.64
801.06.66	-	6.66
801.06.68	-	6.68
801.06.70	-	6.70
801.06.71	-	6.71
801.06.72	-	6.72
801.06.73	-	6.73
801.06.74	-	6.74
801.06.75	-	6.75
801.06.76	-	6.76
801.06.77	-	6.78
801.06.78	-	6.78
801.06.80	-	6.80
801.06.82	-	6.82
801.06.84	-	6.84
801.06.86	-	6.86

**06 UNITS**
**14  
B**
**ARMATURE PLATE**  
 PLACA DE ATRAQUE


ROBIEL CODE	REFERENCE	THICKNESS(mm)
801.08.01	-	8.01
801.08.03	-	8.03
801.08.05	-	8.05
801.08.07	-	8.07
801.08.09	-	8.09
801.08.11	-	8.11
801.08.13	-	8.13
801.08.15	-	8.15
801.08.17	-	8.17
801.08.19	-	8.19
801.08.21	-	8.21
801.08.23	-	8.23
801.08.25	-	8.25

**06 UNITS**
**20**
**CORRUGATED SHIM FOR CAT**  
 C10/C12/3500 VALVE


ROBIEL CODE	REFERENCE	THICKNESS(mm)
800.13.190	-	1.90
800.13.191	-	1.91
800.13.192	-	1.92
800.13.193	-	1.93
800.13.194	-	1.94
800.13.195	-	1.95
800.13.196	-	1.96
800.13.197	-	1.97
800.13.198	-	1.98
800.13.199	-	1.99
800.13.200	-	2.00
800.13.201	-	2.01
800.13.202	-	2.02


**06 UNITS**
**16**
**SHIM - SPRING PRESSURE**  
 CALZO DE PRESION DEL RESORTE


Ø Int.: 5.40 Ø Ext.: 10.20





ROBIEL CODE	REFERENCE	THICKNESS(mm)
805.10.05	-	0.05
805.10.050	-	0.50
805.10.060	-	0.60
805.10.070	-	0.70
805.10.080	-	0.80
805.10.090	-	0.90
805.10.095	-	0.95
805.10.100	-	1.00
805.10.105	-	1.05
805.10.110	-	1.10
805.10.115	-	1.15
805.10.120	-	1.20
805.10.125	-	1.25
805.10.130	-	1.30

**12 UNITS**

12 Plunger - CATERPILLAR VOLVO D12 A/C UNIT VALVE ELEMENTO VALVULA UNIDAD CATERPILLAR / VOLVO D12 A/C			
	ROBIEL CODE	REFERENCE	THICKNESS(mm)
	340.06.0000	-	10.000
	340.06.005	-	10.005
	340.06.010	DP-V1000	10.010
	340.06.015	-	10.015
01 UNIT			

13 Plunger - CATERPILLAR CALZO DEL PUNTO VALVULA C10/12/ ELEMENTO VALVULA UNIDAD CATERPILLAR / DELPHI			
	ROBIEL CODE	REFERENCE	THICKNESS(mm)
	340.07.200	-	10.200
	340.07.205	-	10.205
	340.07.210	-	10.210
	340.07.215	-	10.215
01 UNIT			

17 NOZZLE PIN CAT EUI UNIT PIN DE RESTRICIÓN DE LA TOBERA UNIDADES CATERPILLAR			
	ROBIEL CODE	REFERENCE	THICKNESS(mm)
	800.05.1880	-	18.80
	800.05.1882	-	18.82
	800.05.1884	-	18.84
	800.05.1886	-	18.86
	800.05.1888	-	18.88
	800.05.1890	-	18.90
	800.05.1892	-	18.92
	800.05.1894	-	18.94
	800.05.1896	-	18.96
	800.05.1898	-	18.98
	800.05.1900	-	19.00
	800.05.1902	-	19.02
	800.05.1904	-	19.04
	800.05.1906	-	19.06
	800.05.1908	-	19.08
	800.05.1910	-	19.10
	800.05.1915	-	19.15
	800.05.1920	-	19.20
	800.05.1925	-	19.25
	800.05.1935	-	19.35
	800.05.1945	-	19.45
06 UNITS			

15 SHIM - CATERPILLAR UNIT NOZZLE CALZO DO BICO UNIDAD CATERPILLAR			
	ROBIEL CODE	REFERENCE	THICKNESS(mm)
	800.10.150	-	1.50
	800.10.155	-	1.55
	800.10.160	-	1.60
	800.10.165	-	1.65
	800.10.170	-	1.70
	800.10.175	-	1.75
	800.10.180	-	1.80
	800.10.185	-	1.85
	800.10.190	-	1.90
	800.10.195	-	1.95
	800.10.200	-	2.00
	800.10.205	-	2.05
	800.10.210	-	2.10
	800.10.215	-	2.15
	800.10.220	-	2.20
	800.10.225	-	2.25
	800.10.230	-	2.30
	800.10.235	-	2.35
	800.10.240	-	2.40
	800.10.245	-	2.45
	800.10.250	-	2.50
	800.10.255	-	2.55
	800.10.260	-	2.60
	800.10.265	-	2.65
	800.10.270	-	2.70
	800.10.275	-	2.75
12 UNITS			



**324.15.01**

Grinding Tool to Deflector Seat  
Herramienta Rectificar Asiento Deflector



**324.13.271**

Polishing Tool to Deflector Seat  
Herramienta Acabamiento Asiento Deflector





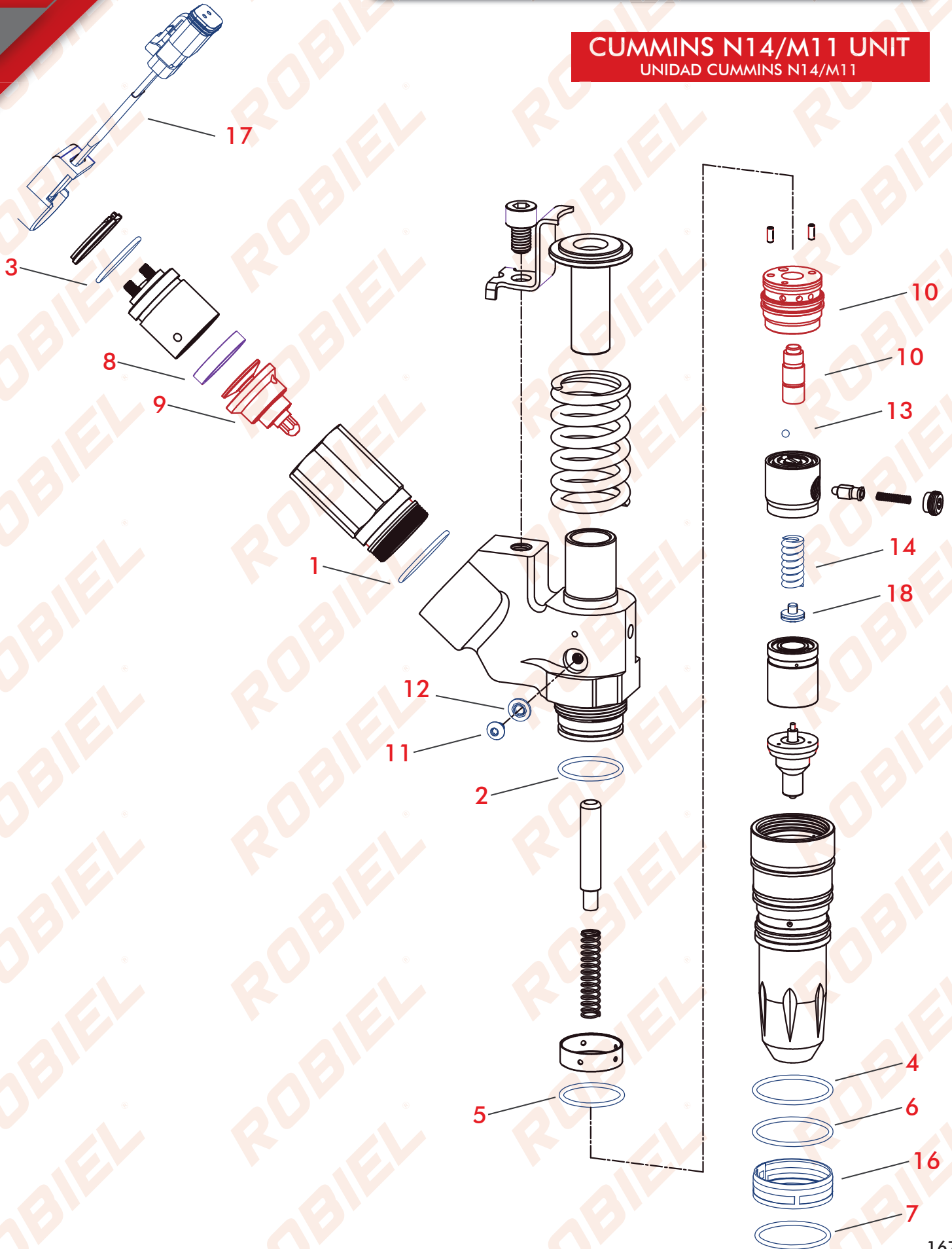
USE YOUR SMARTPHONE CAMERA TO SCAN THE QR CODE AND ACCESS MORE **TECHNICAL INFORMATION** FROM OUR PRODUCTS IN **ROBIEL** APP.

USE LA CÁMARA DE SU TELÉFONO PARA ESCANEAR EL CÓDIGO QR Y OBTENER MÁS **INFORMACIONES TÉCNICAS** SOBRE LOS PRODUCTOS EN NUESTRA APLICACIÓN **ROBIEL**.

**DOWNLOAD OUR NEW APP**  
DESCARGUE NUESTRA NUEVA APLICACIÓN



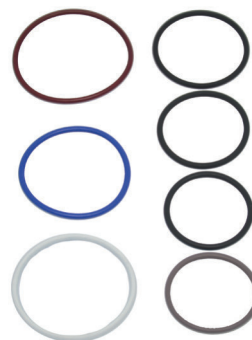
**CUMMINS N14/M11 UNIT**  
UNIDAD CUMMINS N14/M11



**410.06.0001** REPAIR PARTS - CUMMINS N14 UNIT  
REPARACION UNIDAD CUMMINS N14

REFERENCE MCB3060001

Nº	ROBIEL CODE	REFERENCE	DESCRIPTION	PACK
1	421.02.518	-	O-ring - Anillo	01un.
2	421.02.418	-	O-ring - Anillo	01un.
3	421.02.218	-	O-ring - Anillo	01un.
4	421.03.218	3070136	O-ring - Anillo	01un.
5	421.02.217	-	O-ring - Anillo	01un.
6	421.03.017	3070137	O-ring - Anillo	01un.
7	421.02.817	3070138	O-ring - Anillo	01un.



**410.06.0002** REPARO DA UNIDADE CUMMINS M11 | N14 | L10 - COMPLETO

CÓD. REFERÊNCIA MCB3060001

Nº	CÓD. ROBIEL	REFERÊNCIA	DESCRIÇÃO	EMB.
1	421.02.518	-	O-ring - Anillo	01pç.
2	421.02.418	-	O-ring - Anillo	01pç.
3	421.02.218	-	O-ring - Anillo	01pç.
4	421.03.218	-	O-ring - Anillo	01pç.
5	421.02.217	-	O-ring - Anillo	01pç.
6	421.03.017	-	O-ring - Anillo	01pç.
7	421.02.817	-	O-ring - Anillo	01pç.
11	250.21.10	-	Torx Bolt Hexalobular - M4x5mm Tornillo Hexabular Torx - M4x5mm	03 pç.
12	804.10.13	-	Steel - Arandela	01pç.
13	190.52.04	-	Ball - Bolilla	01pç.
14	225.01.62	-	Cummins Nozzle Unit Valve Spring Resorte de la Tobera Unidad Cummins	01pç.
15	225.01.72	-	Spring - Resorte	01pç.
16	200.01.05	-	Cummins Filter Screen Filtro Cummins	01pç.
17	165.13.01	-	Cummins Injector Wiring Harness Conector Electrico Cummins	01pç.
18	305.02.14	-	Pressure Pin - Top de Presion	01pç.

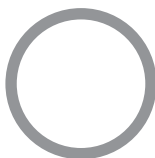


**410.06.0003** REPAIR PARTS - CUMMINS N14 / M11 / L10  
 Reparacion Unid Cummins N14 / M11/ L10

REFERENCE CODE		MCB3060001		
Nº	ROBIEL CODE	REFERENCE	DESCRIPTION	PACK
1	421.02.518	-	O-ring - Anillo	01pç.
2	421.02.418	-	O-ring - Anillo	01pç.
3	421.02.218	-	O-ring - Anillo	01pç.
4	421.03.218	-	O-ring - Anillo	01pç.
5	421.02.217	-	O-ring - Anillo	01pç.
6	421.03.017	-	O-ring - Anillo	01pç.
7	421.02.817	-	O-ring - Anillo	01pç.
11	250.21.10	-	Torx Bolt Hexalobular - M4x5mm Tornillo Hexabular Torx - M4x5mm	03 pç.
12	804.10.13	-	Steel - Arandela	01pç.
13	190.52.04	-	Ball - Bolilla	01pç.
14	225.01.62	-	Cummins Nozzle Unit Valve Spring Resorte de la Tobera Unidad Cummins	01pç.
15	225.01.72	-	Spring - Resorte	01pç.
16	200.01.05	-	Cummins Filter Screen Filtro Cummins	01pç.
18	305.02.14	-	Pressure Pin - Top de Presion	01pç.



8	CUMMINS N14/M11 SOLENOID VALVE SHIM ARANDELA DE AJUSTE DEL ATRACAMIENTO VALVULA CUMMINS N14/M11		
	ROBIEL CODE	REFERENCE	THICKNESS(mm)
	823.26.520	-	5.20
	823.26.522	-	5.22
	823.26.524	-	5.24
	823.26.526	-	5.26
	823.26.528	-	5.28
	823.26.530	-	5.30
	823.26.532	-	5.32
	823.26.534	-	5.34
	823.26.536	-	5.36
<b>06 UNITS</b>			



**SPARE PARTS**  
 Repuestos

Nº	ROBIEL CODE	REFERENCE	DESCRIPTION	PACK
9	340.16.01	-	SOLENOID VALVE - N14/M11/L10 CUMMINS VALVULA DEL SOLENOIDE CUMMINS N14/M11/L10	01un.
10	340.16.02	-	CUMMINS N14/M11/L10 CONTROL VALVE VALVULA DE CONTROL CUMMINS N14/M11/L10	01un.



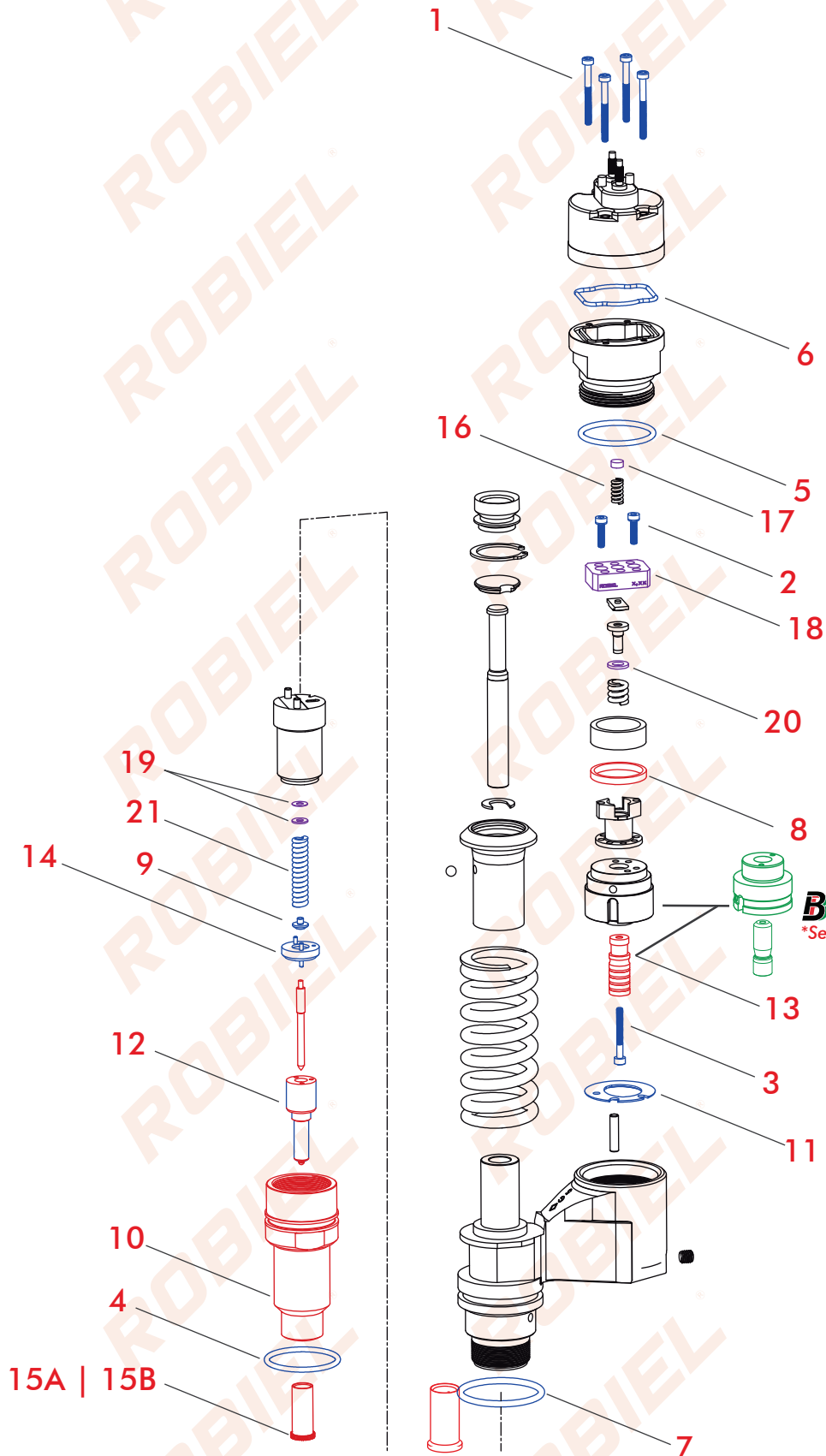
USE YOUR SMARTPHONE CAMERA TO SCAN THE QR CODE AND ACCESS MORE TECHNICAL INFORMATION FROM OUR PRODUCTS IN **ROBIEL®** APP.

USE LA CÁMARA DE SU TELÉFONO PARA ESCANEAR EL CÓDIGO QR Y OBTENER MÁS INFORMACIONES TÉCNICAS SOBRE LOS PRODUCTOS EN NUESTRA APLICACIÓN **ROBIEL®**.


**DOWNLOAD OUR NEW APP**  
DESCARGUE NUESTRA NUEVA APLICACIÓN



**DELPHI EUI A1 | A2 UNIT**  
UNIDAD DELPHI EUI A1 | A2



410.69.48		REPAIR PARTS - DELPHI/VOLVO UNIT SOLENOID SCREWS		
REFERENCE		REPARACION TORNILLOS SOLEN UNID DELPHI VOLVO		
Nº	ROBIEL CODE	REFERENCE	DESCRIPTION	PACK
1	250.21.06	-	Bolt - Tornillo	04un.
2	250.21.07	-	Bolt - Tornillo	02un.
3	250.21.08	-	Bolt - Tornillo	01un.



420.27.6948		REPAIR RINGS SET - VOLVO D12A/C UNIT		
REFERENCE		REPARACION ANILLOS UNIDAD VOLVO D12A/C		
Nº	ROBIEL CODE	REFERENCE	DESCRIPTION	PACK
4	421.03.224L	7200-0016	O-ring - Anillo	01un.
5	421.03.226	-	O-ring - Anillo	01un.
6	421.03.516	7200-0015	O-ring - Anillo	02un.
7	421.03.530	-	O-ring - Anillo	01un.



410.35.488		REPAIR PARTS - VOLVO D12A/C UNIT		
REFERENCE		REPARACION UNIDAD VOLVO D12A/C		
Nº	ROBIEL CODE	REFERENCE	DESCRIPTION	PACK
4	421.03.224L	7200-0016	O-ring - Anillo	01un.
5	421.03.226	-	O-ring - Anillo	01un.
6	421.03.516	7200-0015	O-ring - Anillo	02un.
7	421.03.530	-	O-ring - Anillo	01un.
11	800.00.02	-	Deflector - Deflector	01un.



409.00.002		REPAIR PARTS - VOLVO D12D UNIT		
REFERENCE		REPARACION UNIDAD VOLVO D12D		
Nº	ROBIEL CODE	REFERENCE	DESCRIPTION	PACK
14	D00.35.487	7135-487	Intermediate Disc - Disco Intermedio	01un.
9	305.02.30	-	Pressure Pin - Top de presion	01un.
21	225.01.20	-	Spring - Resorte	01un.



**SPARE PARTS**  
Repuestos

Nº	ROBIEL CODE	REFERENCE	DESCRIPTION	PACK
1	250.21.06	-	Bolt - Allen Solenoid Volvo / Caterpillar Unit <i>Tornillo Allen Solenoide Unidad Volvo / Caterpillar</i>	04pç.
2	250.21.07	-	Bolt - Allen - Volvo Unit Amature <i>Tornillo Allen Atraque Unidad Volvo</i>	04pç.
3	250.21.08	-	Bolt - Allen Volvo / Caterpillar Unit Valve <i>Tornillo Allen del Barril Unidad Volvo / Caterpillar</i>	04pç.
8	110.03.01	-	Ring - Distancing - Solenoid - 3.20mm <i>Anillo Distante Solenoide - 3.20mm</i>	02pç.
9	305.02.30	-	Pressure Pin - D12D Volvo Nozzle <i>Top de Presion de la Tobera Volvo D12D</i>	06pç.
10	315.06.24	7204-0089	Nut - Nozzle-Retaining FH12 D12A Electronical Unit <i>Tapa de la Tobera Unidad Electronica FH12 D12A</i>	01pç.
11	800.00.02	-	Deflector Shim - Volvo / Caterpillar Unit Solenoid <i>Deflector Solenoide Unidad Volvo / Caterpillar</i>	06pç.
12	B00.17.PBB	L 017 PBB	Injector Nozzle - Volvo D12C Delphi - NH380CV <i>Tobera Inyector Volvo D12C Delphi NH380CV</i>	01pç.
13	340.06.0000	-	Plunger - Volvo D12A/C   Caterpillar Unit Valve Ø10.000mm <i>ELEMENTO Valvula Unidad Volvo D12A/C   Caterpillar</i>	01pç.
13	340.06.005	-	Plunger - Volvo D12A/C   Caterpillar Unit Valve Ø10.005mm <i>ELEMENTO Valvula Unidad Volvo D12A/C   Caterpillar</i>	01pç.
13	340.06.010	-	Plunger - Volvo D12A/C   Caterpillar Unit Valve Ø10.010mm <i>ELEMENTO Valvula Unidad Volvo D12A/C   Caterpillar</i>	01pç.
13	340.06.015	-	Plunger - Volvo D12A/C   Caterpillar Unit Valve Ø10.015mm <i>ELEMENTO Valvula Unidad Volvo D12A/C   Caterpillar</i>	01pç.
14	D00.35.487	7135-487	Intermediate Disc - Volvo D12A   D12C   D12D <i>Disco Intermedio Volvo D12A   D12C   D12D</i>	01pç.
15A	220.03.08	F 00R J02 537   F 00R J03 561 6.000.900.262	Protective Cap - Injectors / Units Nozzle - 7.00mm <i>Tapa Protectora p/ Tobera Inyectores / Unidades - 7.00mm</i>	01ct.
15B	220.03.09	F 00H 410 849   F 002 C88 080 6.000.900.076	Protective Cap - Injectors / Units Nozzle - 9.00mm <i>Tapa Protectora p/ Tobera Inyectores / Unidades - 9.00mm</i>	01ct.
16	225.01.69	-	Solenoid Spring Delphi A1/A2 / Cat3500 / C10 / C15 <i>Resorte del Solenoide Delphi EUI A1/A2 / Cat3500 / C10 / C15 - Ø 5,80mm</i>	06pç.
21	225.01.74	-	Delphi EUI A1/A2 D12C Nozz <i>Resorte de la Tobera Unid Delphi EUI A1/A2 D12C</i>	06pç.
R1	140.06.03	-	Bushing - FH12 Gear Pump Valve Seat <i>Casquillo Del Asiento - Valvula de la BBA Alimentacion FH12</i>	01pç.
R2	250.08.05	3 184 837	Bolt - 8.00mm - FH12 Gear Pump - 1/2 Wrench <i>Tornillo 8.00mm BBA Alimentacion FH12 Llave 1/2</i>	01pç.
R3	340.03.18	3095479	Overflow Valve - Volvo - 3.5kg <i>Valvula de socorro Volvo</i>	01pç.
R4	340.03.24	-	Overflow Valve - Volvo - 6.0kg <i>Valvula de socorro Volvo</i>	01pç.
R5	420.05.23	976013	Gasket - FH12 Volvo Gear Pump <i>Empaquetadura BBA Alimentación Volvo FH12</i>	01pç.
R6	421.00.915	976013	O-Ring Green - Volvo D12C / Delphi <i>Anillo Oring verde - BBA Volvo D12C / Delphi</i>	05pç.
R7	421.01.01	20526428   1677370	Repair Rings Set - Volvo Electronic Veb Valve <i>Reparacion Anillos Valvula Veb Volvo Electronica</i>	01jg.
R8	430.01.224	8148471	Retainer - Volvo FH12 Gear Pump <i>Reten de la BBA Alimentación Volvo FH12</i>	02pç.
R9	815.47.____	-	Shim - Adjustment - Volvo Exhaust Valve <i>Calzo Ajuste Valvula Escape Volvo</i>	01pç.
R10	112.01.02	7204-0091	Ring - Steel - 37.00X39.00X6.00 MM <i>Anillo De Acero 37.00X39.00X6.00 MM</i>	03pç.
R11	335.03.03	-	Lock - FH12 Unit Nut <i>Bloqueo De La Tuerca De La Unidad FH12</i>	06pç.






**17 SHIM - DELPHI/ CATERPILLAR UNIT SOLENOID**  
 CALZO SOLENOIDE UNIDAD DELPHI / CATERPILLAR

ROBIEL CODE	REFERENCE	THICKNESS(mm)
303.01.08	-	2.30
303.01.09	-	2.35
303.01.10	-	2.40
303.01.11	-	2.45
303.01.12	-	2.50
303.01.13	-	2.55
303.01.01	-	2.60
303.01.02	-	2.65
303.01.03	-	2.70
303.01.04	-	2.75
303.01.05	-	2.80
303.01.06	-	2.85
303.01.07	-	2.90

12 UNITS

**18 ARMATURE PLATE**  
 PLACA DE ATRAQUE



ROBIEL CODE	REFERENCE	THICKNESS(mm)
801.08.01	-	8.01
801.08.03	-	8.03
801.08.05	-	8.05
801.08.07	-	8.07
801.08.09	-	8.09
801.08.11	-	8.11
801.08.13	-	8.13
801.08.15	-	8.15
801.08.17	-	8.17
801.08.19	-	8.19
801.08.21	-	8.21
801.08.23	-	8.23
801.08.25	-	8.25

12 UNITS



**19 SHIM - VOLVO ELECTRONIC UNIT**  
 CALZO TOBERA UNIDAD ELETRONICA VOLVO

∅ Int.: 3.30 ∅ Ext.: 7.70

ROBIEL CODE	REFERENCE	THICKNESS(mm)
804.07.010	-	0.10
804.07.015	-	0.15
804.07.025	-	0.25
804.07.030	-	0.30
804.07.050	-	0.50
804.07.060	-	0.60
804.07.070	-	0.70

12 UNITS

**20 SHIM - SPRING PRESSURE**  
 CALZO DE PRESION DEL RESORTE

∅ Int.: 5.40 ∅ Ext.: 10.20

ROBIEL CODE	REFERENCE	THICKNESS(mm)
805.10.05	-	0.05
805.10.050	-	0.50
805.10.060	-	0.60
805.10.070	-	0.70
805.10.080	-	0.80
805.10.090	-	0.90
805.10.095	-	0.95
805.10.100	-	1.00
805.10.105	-	1.05
805.10.110	-	1.10
805.10.115	-	1.15
805.10.120	-	1.20
805.10.125	-	1.25
805.10.130	-	1.30

12 UNITS

**R9** **ADJUSTMENT SHIM - VOLVO EXHAUST VALVE (VEB)**  
 CALZO AJUSTE VALVULA ESCAPE VOLVO



ROBIEL CODE	REFERENCE	THICKNESS(mm)	ROBIEL CODE	REFERENCE	THICKNESS(mm)
815.47.959	-	1.80	815.47.985	-	2.90
815.47.961	-	1.85	815.47.9851	-	2.95
815.47.963	-	1.90	815.47.9852	-	3.00
815.47.965	-	1.95	815.47.9853	-	3,05
815.47.967	-	2.00	815.47.986	-	3.10
815.47.968	-	2.05	815.47.987	-	3.15
815.47.969	-	2.10	815.47.988	-	3.20
815.47.970	-	2.15	815.47.989	-	3.25
815.47.971	-	2.20	815.47.990	-	3.30
815.47.972	-	2.25	815.47.991	-	3.35
815.47.973	-	2.30	815.47.992	-	3.40
815.47.974	-	2.35	815.47.993	-	3.45
815.47.975	-	2.40	815.47.994	-	3.50
815.47.976	-	2.45	815.47.995	-	3.55
815.47.977	-	2.50	815.47.996	-	3.60
815.47.978	-	2.55	815.47.997	-	3.65
815.47.979	-	2.60	815.47.998	-	3.70
815.47.980	-	2.65	815.47.999	-	3.75
815.47.981	-	2.70	815.47.1000	-	3.80
815.47.982	-	2.75	815.47.1001	-	3.85
815.47.983	-	2.80	815.47.1002	-	3.90
815.47.984	-	2.85	815.47.1003	-	3.95

02 UNITS

**415.00.101** PARTS SET - EUI A1/A3 UNIT REPAIRING  
 JUEGO PIEZAS REPARACION UNIDAD EUI A1/A3



06 UNITS BY MEASURE  
 126 UNITS





**323.01.09**

Solenoid Wrench  
Delphi Unit  
Llave del Solenoide Unidad Delphi



**323.01.25**

Nozzle tester Adapter  
Volvo EUI Unit  
Adaptador Prueba Tobera Unidad  
Volvo EUI



**324.33.002**

Nut Wrench - Delphi Unit  
Llave de la Tuerca Unidad Delphi



**323.01.49**

Device for Removal  
the Volvo Drive  
Dispositivo para Extraccion Mando Volvo



**323.02.12**

Cleaning Brush  
Cepillo de Limpieza  
Ø 10.00mm



**323.02.13**

Cutting Oil  
Aceite corte



**323.01.3241**

Rotating Vise W /  
Indexer Pin  
Morsa Giratoria con Pin index



**324.15.01**

Injectors and Units Repair  
Bracket  
Soporte para reparacion  
de Inyectores y Unidades



**324.15.05**

Clamp Set for Units  
Clip de las Unidades



**324.17.342**

Grinding Tool to  
Deflector Seat  
Herramienta Rectificar Asiento Deflector



**324.18.342**

Polishing Tool to  
Deflector Seat  
Herramienta Acabamiento  
Asiento Deflector



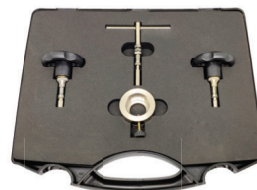
**324.13.271**

Device to Remove the Delphi  
Caterpillar Unit Puller Spring  
Dispositivo para Extraccion Resorte Externo  
Unidad Delphi / Caterpillar



**323.50.121**

Delphi EUI Serie A1 | A3 |  
E1 | E3 Tool kit  
Kit de Herramientas Unidades Delphi A1  
| A3 | E1 | E3



**323.50.191**

Delphi EUI Serie A1 | A3 |  
Volvo D12A/C Tool Kit  
Kit de Herramientas Unidades  
Delphi A1 | A3 - Volvo D12A/C



USE YOUR SMARTPHONE CAMERA TO SCAN THE QR CODE AND ACCESS MORE TECHNICAL INFORMATION FROM OUR PRODUCTS IN **ROBIEL** APP.

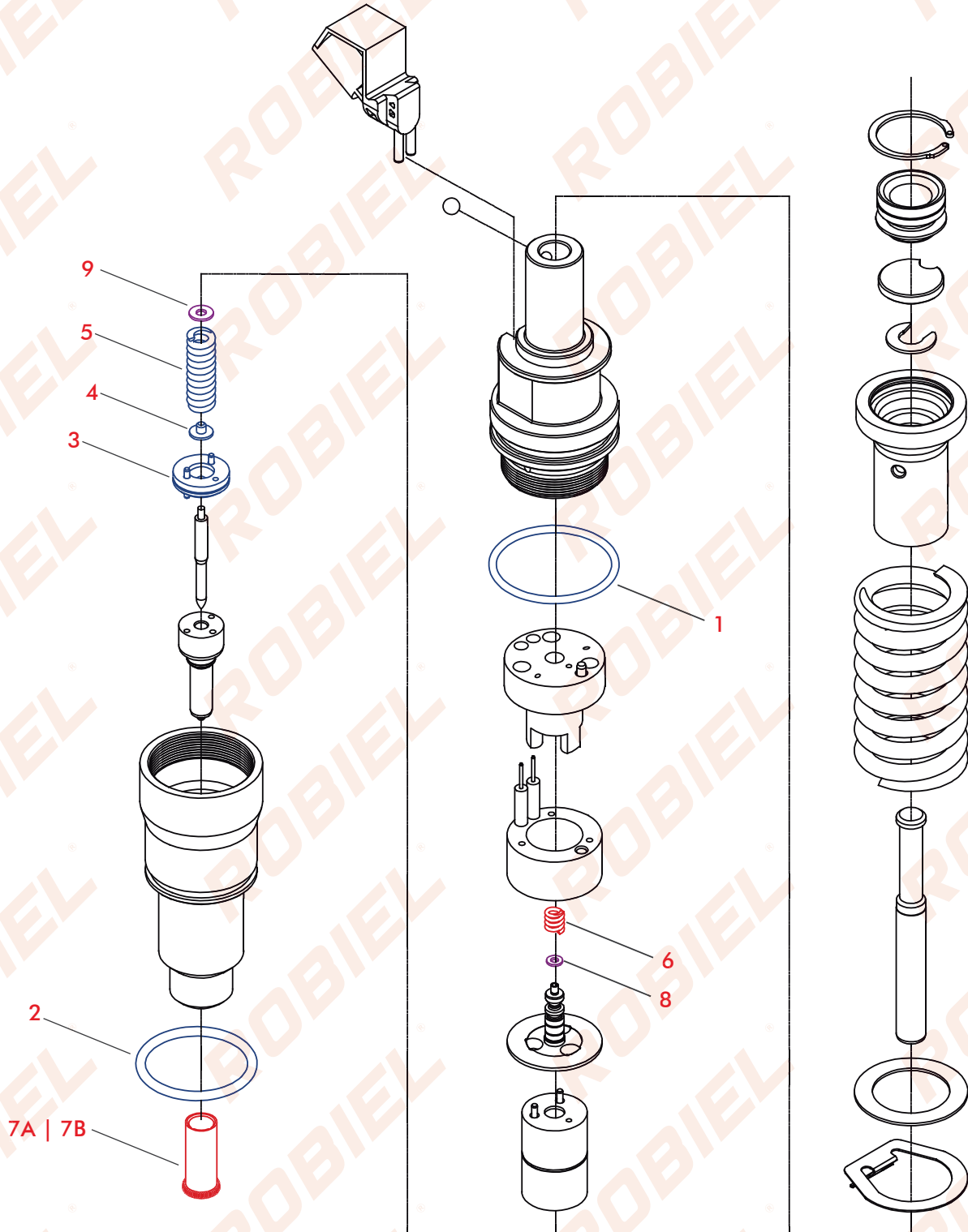
USE LA CÁMARA DE SU TELÉFONO PARA ESCANEAR EL CÓDIGO QR Y OBTENER MÁS INFORMACIONES TÉCNICAS SOBRE LOS PRODUCTOS EN NUESTRA APLICACIÓN **ROBIEL**.

**DOWNLOAD OUR NEW APP**  
DESCARGUE NUESTRA NUEVA APLICACIÓN



## DELPHI E1 UNIT UNIDAD DELPHI E1

Volvo D12D



**420.27.6950**

**REPAIR RINGS SET - VOLVO D12D UNIT**  
REPARACION ANILLOS UNIDAD VOLVO D12D

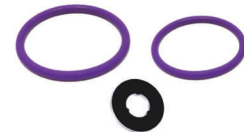
REFERENCE		D12D		
Nº	ROBIEL CODE	REFERENCE	DESCRIPTION	PACK
1	421.03.224	7200-0054	O-ring - Anillo	01 un.
2	421.03.530	7200-0053	O-ring - Anillo	01 un.



**420.27.6951**

**REPAIR RINGS AND WASHER SET - VOLVO D13 UNIT**

REFERENCE		Volvo D13		
Nº	CÓD. ROBIEL	REFERÊNCIA	DESCRIÇÃO	EMB.
1	421.03.224	7200-0054	O-ring - Anillo	01 pç.
2	421.03.530	7200-0053	O-ring - Anillo	01 pç.
3	807.17.16	-	O-ring - Anillo	01 pç.



**409.35.487**

**REPAIR PARTS - VOLVO D12D UNIT**  
REPARACION UNIDAD VOLVO D12D


REFERENCE		7135-487		
Nº	ROBIEL CODE	REFERENCE	DESCRIPTION	PACK
3	D00.35.487	7135-487	Intermediate Disc - Disco Intermedio	01 un.
4	305.02.30	-	Pressure Pin - Top de presion	01 un.
5	225.01.31	-	Spring - Resorte	01 un.





**SPARE PARTS**  
Repuestos

Nº	ROBIEL CODE	REFERENCE	DESCRIPTION	PACK
6	225.01.32	-	Spring - Volvo D12D Unit Resorte de la Unidad Volvo D12D	06un
7A	220.03.08	F 00R J02 537   F 00R J03 561 6.000.900.262	Protective Cap - Injectors / Units Nozzle - 7.00mm Tapa Protectora p/ Tobera Inyectores / Unidades - 7.00mm	01kit
7B	220.03.09	F 00H 410 849   F 002 C88 080 6.000.900.076	Protective Cap - Injectors / Units Nozzle - 9.00mm Tapa Protectora p/ Tobera Inyectores / Unidades - 9.00mm	01kit
R1	340.03.18	3095479	Overflow Valve - Volvo - 3.5kg Valvula de socorro Volvo	01un
R2	340.03.24	-	Overflow Valve - Volvo - 6.0kg Valvula de socorro Volvo	01un
R3	421.01.01	20526428   1677370	Repair Rings Set - Volvo Electronic Veb Valve Reparacion Anillos Valvula Veb Volvo Electronica	01kit
R4	815.47.____	-	Shim - Adjustment - Volvo Exhaust Valve Calzo Ajuste Valvula Escape Volvo	02un



8 SHIM - ADJUSTMENT - VOLVO 380 420 460 UNIT CALZO DE AJUSTE UNIDAD VOLVO 380 420 460 		
Ø Int.: 2.40 Ø Ext.: 5.10		
ROBIEL CODE	REFERENCE	THICKNESS(mm)
802.05.01	-	0.10
802.05.02	-	0.15
802.05.03	-	0.25
802.05.04	-	0.50
802.05.05	-	0.30
802.05.06	-	0.60
802.05.07	-	0.70
802.05.08	-	0.80
802.05.09	-	0.90
802.05.10	-	1.00
<b>06 UNITS</b>		

9 SHIM - VOLVO ELETRONIC UNIT CALZO TOBERA UNIDAD ELETRONICA VOLVO 		
Ø Int.: 3.30 Ø Ext.: 7.70		
ROBIEL CODE	REFERENCE	THICKNESS(mm)
804.07.010	-	0.10
804.07.015	-	0.15
804.07.025	-	0.25
804.07.030	-	0.30
804.07.050	-	0.50
804.07.060	-	0.60
804.07.070	-	0.70
<b>06 UNITS</b>		

R9 ADJUSTMENT SHIM - VOLVO EXHAUST VALVE (VEB) CALZO AJUSTE VALVULA ESCAPE VOLVO 						
ROBIEL CODE	REFERENCE	THICKNESS(mm)	ROBIEL CODE	REFERENCE	THICKNESS(mm)	
815.47.959	-	1.80	815.47.985	-	2.90	
815.47.961	-	1.85	815.47.9851	-	2.95	
815.47.963	-	1.90	815.47.9852	-	3.00	
815.47.965	-	1.95	815.47.9853	-	3,05	
815.47.967	-	2.00	815.47.986	-	3.10	
815.47.968	-	2.05	815.47.987	-	3.15	
815.47.969	-	2.10	815.47.988	-	3.20	
815.47.970	-	2.15	815.47.989	-	3.25	
815.47.971	-	2.20	815.47.990	-	3.30	
815.47.972	-	2.25	815.47.991	-	3.35	
815.47.973	-	2.30	815.47.992	-	3.40	
815.47.974	-	2.35	815.47.993	-	3.45	
815.47.975	-	2.40	815.47.994	-	3.50	
815.47.976	-	2.45	815.47.995	-	3.55	
815.47.977	-	2.50	815.47.996	-	3.60	
815.47.978	-	2.55	815.47.997	-	3.65	
815.47.979	-	2.60	815.47.998	-	3.70	
815.47.980	-	2.65	815.47.999	-	3.75	
815.47.981	-	2.70	815.47.1000	-	3.80	
815.47.982	-	2.75	815.47.1001	-	3.85	
815.47.983	-	2.80	815.47.1002	-	3.90	
815.47.984	-	2.85	815.47.1003	-	3.95	
<b>02 UNITS</b>						



409.35.487		REPAIR PARTS - VOLVO D12D UNIT   JOHN DEERE		
		REPARACION UNIDAD VOLVO D12D   JOHN DEERE		
REFERENCE		7135-487		
Nº	ROBIEL CODE	REFERENCE	DESCRIPTION	PACK
3	D00.35.487	7135-487	Intermediate Disc - Disco Intermedio	01un.
4	305.02.30	-	Pressure Pin - Top de presion	01un.
5	225.01.31	-	Spring - Resorte	01un.






## PEÇAS AVULSAS

Nº	CÓD. ROBIEL	REFERÊNCIA	DESCRIÇÃO	EMB.
1	421.03.224	-	O-ring Blue 31.00X2.40mm - Anillo Oring Azul 31.00X2.40mm	01ct.
6	225.01.32	-	Spring - John Deere Unit Injector Coil - Resorte De La Tobera De La John Deere	06pç.
7A	220.03.08	F 00R J02 537   F 00R J03 561 6.000.900.262	Protective Cap - Injector/Units Nozzle 7.00mm - Tapa Protectora P/ Tobera Inyectores 7.00mm	01ct.
7B	220.03.09	F 00H 410 849   F 002 C88 080 6.000.900.076	Protective Cap - Injector/Units Nozzle 9.00mm - Tapa Protectora P/ Tobera Inyectores 9.00mm	01ct.
10	340.03.18	3095479	Valve - Overflow - Valvula de Socorro FH12	01pç.



8	SHIM - ADJUSTMENT - VOLVO 380 420 460 UNIT		
CALZO DE AJUSTE UNIDAD OLVO 380 420 460			
Ø Int.: 2.40 Ø Ext.: 5.10			
○	ROBIEL CODE	REFERENCE	THICKNESS(mm)
	802.05.01	-	0.10
	802.05.02	-	0.15
	802.05.03	-	0.25
	802.05.04	-	0.50
	802.05.05	-	0.30
	802.05.06	-	0.60
	802.05.07	-	0.70
	802.05.08	-	0.80
	802.05.09	-	0.90
	802.05.10	-	1.00

06 UNITS

USE YOUR SMARTPHONE CAMERA TO SCAN THE QR CODE AND ACCESS MORE **TECHNICAL INFORMATION** FROM OUR PRODUCTS IN **ROBIEL** APP.

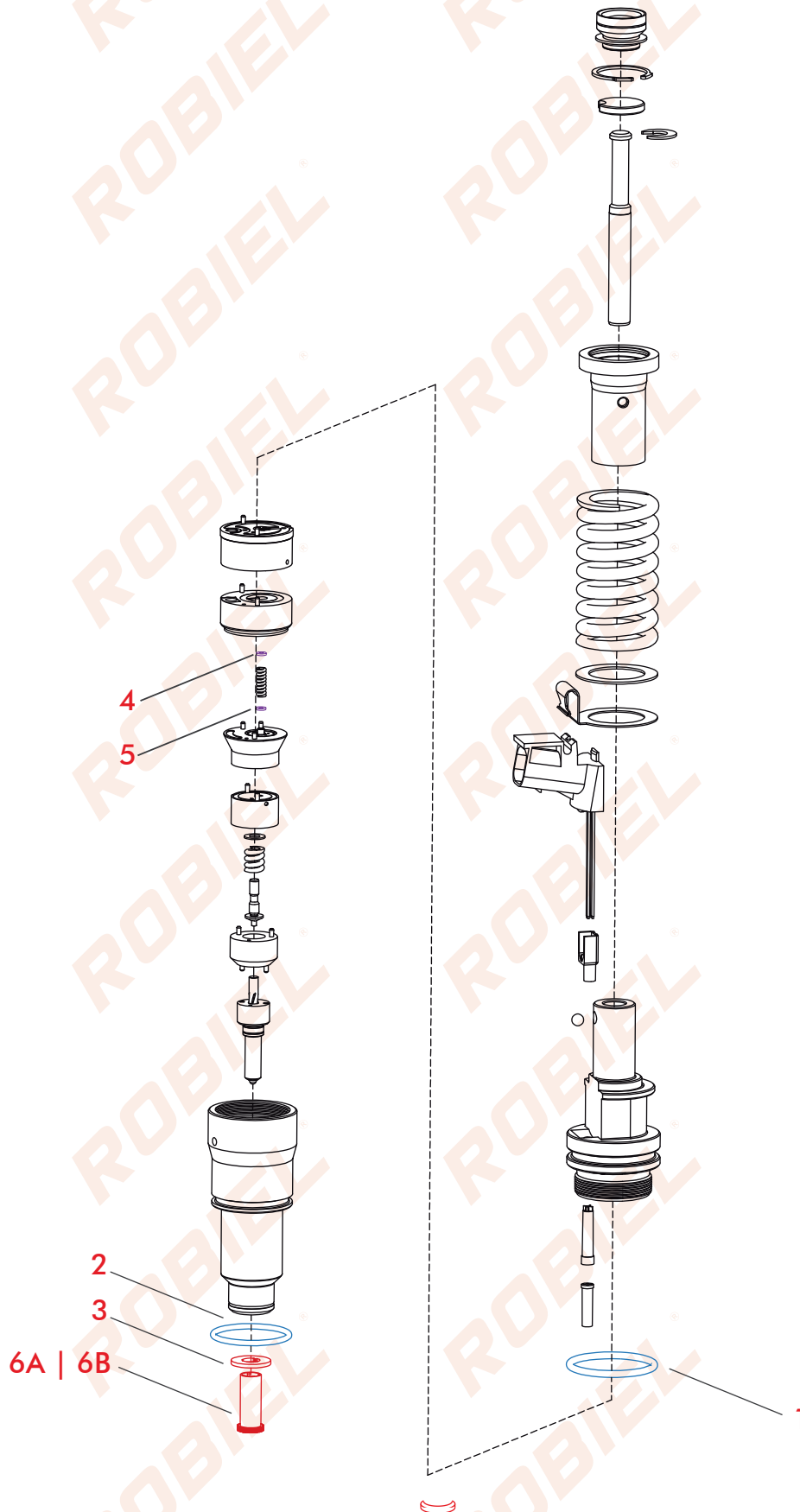
USE LA CÁMARA DE SU TELÉFONO PARA ESCANEAR EL **CÓDIGO QR** Y OBTENER MÁS **INFORMACIONES TÉCNICAS** SOBRE LOS PRODUCTOS EN NUESTRA APLICACIÓN **ROBIEL**.

**DOWNLOAD OUR NEW APP**  
DESCARGUE NUESTRA NUEVA APLICACIÓN



## DELPHI EUI E3 UNIT UNIDAD DELPHI EUI E3

Volvo D13



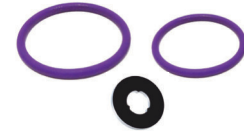
**420.27.6950 REPAIR RINGS SET - VOLVO D12D UNIT**  
REPARACION ANILLOS UNIDAD VOLVO D12D

APPLICATION		Volvo D12D   D13D		
Nº	ROBIEL CODE	REFERENCE	DESCRIPTION	PACK
1	421.03.224	-	O-ring - Anillo	01 un.
2	421.03.530	-	O-ring - Anillo	01 un.



**420.27.6951 REPAIR RINGS AND WASHER SET - VOLVO D13 UNIT**


CÓD. REFERÊNCIA		Volvo D13		
Nº	CÓD. ROBIEL	REFERÊNCIA	DESCRIÇÃO	EMB.
1	421.03.224	7200-0054	O-ring - Anillo	01 pç.
2	421.03.530	7200-0053	O-ring - Anillo	01 pç.
3	807.17.16	-	Washer - Arandela	01 pç.



**SPARE PARTS**  
Repuestos

Nº	ROBIEL CODE	REFERENCE	DESCRIPTION	PACK
3	807.17.16	21261987	Washer - Volvo D13 Unit - Nozzle Arandela Tobera Unidad Volvo D13	24 un
6A	220.03.08	F 00R J02 537   F 00R J03 561 6.000.900.262	Protective Cap - Injectors / Units Nozzle - 7.00mm Tapa Protectora p/ Tobera Inyectores / Unidades - 7.00mm	01 kit
6B	220.03.09	F 00H 410 849   F 002 C88 080 6.000.900.076	Protective Cap - Injectors / Units Nozzle - 9.00mm Tapa Protectora p/ Tobera Inyectores / Unidades - 9.00mm	01 kit
R1	340.03.27	20754813	Overflow Valve - Volvo FH13 W/ Electronic Pump - 4.0kg Valvula de Socorro Volvo FH13 c/ BBA Electronica	01 un
R2	340.03.271	20754813	Overflow Valve - Volvo FH13 W/ Electronic Pump - 6.0kg Valvula de Socorro Volvo FH13 c/ BBA Electronica	01 un
R3	340.03.28	20715052	Overflow Valve - Volvo FH13 W/ Hand Pump - 4.0kg Valvula de Socorro Volvo FH13 c/ BBA Manual	01 un
R4	340.03.281	20715052	Overflow Valve - Volvo FH13 W/ Hand Pump - 6.0kg Valvula de Socorro Volvo FH13 c/ BBA Manual	01 un
R5	421.01.01	20526428 1677370	Repair Rings Set - Volvo Electronic Veb Valve Reparación Anillos Valvula Veb Volvo Eletronica	01 kit
R6	410.00.30	-	Repair Parts - Volvo FH12 Manual Pump Reparacion BBA Manual Volvo FH12	01 kit
R7	815.47.____	20526428 1677370	Shim - Adjustment - Volvo Exhaust Valve Calzo Ajuste Valvula Escape Volvo	01 kit

**3**   
 ∅ Ext: 17.40mm  
 THICKNESS: 1.60mm

**6A**  **6B** 

**R1**   
 Threads: M16 X 1.50mm  
 Internal Threads: M10 X 1.00mm  
 Pressure: 4Kg

**R2**   
 Threads: M16 X 1.50mm  
 Internal Threads: M10 X 1.00mm  
 Pressure: 6Kg

**R3**   
 Threads: M16 X 1.50mm  
 Length: 52.00mm  
 Pressure: 4Kg

**R4**   
 Threads: M16 X 1.50mm  
 Length: 52.00mm  
 Pressure: 6Kg

**R5** 

**R6** 

**R7** 

**5 SHIM VOLVO FH13 INJETOR NOZZLE**  
CALZO DE LA TOBERA INY VOLVO FH13  
∅ Int: 4.60 ∅ Ext: 9.30



ROBIEL CODE	REFERENCE	THICKNESS(mm)	ROBIEL CODE	REFERENCE	TICKNESS(mm)
804.09.015	-	0.15	804.09.080	-	0.80
804.09.025	-	0.25	804.09.090	-	0.90
804.09.030	-	0.30	804.09.100	-	1.00
804.09.050	-	0.50	<b>12 UNITS</b>		
804.09.060	-	0.60			
804.09.070	-	0.70			
<b>12 UNITS</b>					



<b>4 SHIM VOLVO FH13 INJETOR NOZZLE</b> CALZO DE LA TOBERA INY VOLVO FH13 Ø Interno: 1.90 Ø Externo: 4.40						
	<b>ROBIEL CODE</b>	<b>REFERENCE</b>	<b>TICKNESS(mm)</b>	<b>ROBIEL CODE</b>	<b>REFERENCE</b>	<b>TOCKNESS(mm)</b>
	801.05.010	-	0.10	801.05.125	-	1.25
	801.05.015	-	0.15	801.05.130	-	1.30
	801.05.030	-	0.30	801.05.135	-	1.35
	801.05.050	-	0.50	801.05.140	-	1.40
	801.05.060	-	0.60	801.05.145	-	1.45
	801.05.070	-	0.70	801.05.150	-	1.50
	801.05.080	-	0.80	801.05.155	-	1.55
	801.05.090	-	0.90	801.05.160	-	1.60
	801.05.100	-	1.00	801.05.165	-	1.65
	801.05.110	-	1.10	801.05.170	-	1.70
	801.05.120	-	1.20	<b>12 UNITS</b>		
<b>12 UNITS</b>						



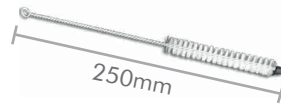
<b>R9 ADJUSTMENT SHIM - VOLVO EXHAUST VALVE (VEB)</b> CALZO AJUSTE VALVULA ESCAPE VOLVO						
	<b>ROBIEL CODE</b>	<b>REFERENCE</b>	<b>THICKNESS(mm)</b>	<b>ROBIEL CODE</b>	<b>REFERENCE</b>	<b>THICKNESS(mm)</b>
	815.47.959	-	1.80	815.47.985	-	2.90
	815.47.961	-	1.85	815.47.9851	-	2.95
	815.47.963	-	1.90	815.47.9852	-	3.00
	815.47.965	-	1.95	815.47.9853	-	3,05
	815.47.967	-	2.00	815.47.986	-	3.10
	815.47.968	-	2.05	815.47.987	-	3.15
	815.47.969	-	2.10	815.47.988	-	3.20
	815.47.970	-	2.15	815.47.989	-	3.25
	815.47.971	-	2.20	815.47.990	-	3.30
	815.47.972	-	2.25	815.47.991	-	3.35
	815.47.973	-	2.30	815.47.992	-	3.40
	815.47.974	-	2.35	815.47.993	-	3.45
	815.47.975	-	2.40	815.47.994	-	3.50
	815.47.976	-	2.45	815.47.995	-	3.55
	815.47.977	-	2.50	815.47.996	-	3.60
	815.47.978	-	2.55	815.47.997	-	3.65
	815.47.979	-	2.60	815.47.998	-	3.70
	815.47.980	-	2.65	815.47.999	-	3.75
	815.47.981	-	2.70	815.47.1000	-	3.80
	815.47.982	-	2.75	815.47.1001	-	3.85
	815.47.983	-	2.80	815.47.1002	-	3.90
	815.47.984	-	2.85	815.47.1003	-	3.95
<b>02 UNITS</b>						





**323.01.66**

Nozzle Tester Adapter  
D13 Volvo Unit  
Adaptador Prueba Tobera  
Unidad Volvo D13



**323.02.12**

Cleaning Brush  
Cepillo de Limpieza  
Ø 10.00mm



**323.02.13**

Cutting Oil  
Aceite corte



**323.01.3241**

Rotating Vise W /  
Indexer Pin  
Morsa Giratoria con Pin index



**324.13.271**

Device to Remove the Delphi  
Caterpillar Unit Puller Spring  
Dispositivo para Extraccion Resorte Externo  
Unidad Delphi / Caterpillar



**323.50.121**

Delphi EUI Serie A1 | A3 |  
E1 | E3 Tool kit  
Kit de Herramientas Unidades Delphi A1  
| A3 | E1 | E3



**324.15.01**

Injectors and Units Repair  
Bracket  
Soporte para reparación  
de Inyectores y Unidades



**324.15.05**

Clamp Set for Units  
Clip de las Unidades





**323.01.671**

Nut Wrench - Volvo  
D12D | D13 Nozzle  
Llave de la tuerca de Tobera  
Volvo D12D | D13

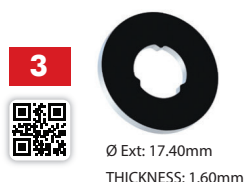




420.20.202 REPAIR RINGS SET - DELPHI E3/DETROIT S60 UNIT					
REPARACION ANILLOS UNIDAD DELPHI E3/DETROIT S60					
APPLICATION		Volvo D12D   D13D			
Nº	ROBIEL CODE	REFERENCE	DESCRIPTION	PACK	
1	421.03.224	F 00H N37 149	O-ring - Anillo	01un.	 
2	421.03.530	-	O-ring - Anillo	01un.	

420.20.203 REPAIR RINGS AND WASHERS SET - DELPHI E3 UNIT					
REPARACION ANILLOS Y ARANDELAS UNIDAD DELPHI E3					
APPLICATION		Volvo D12D   D13D			
Nº	ROBIEL CODE	REFERENCE	DESCRIPTION	PACK	
1	421.03.224	F 00H N37 149	O-ring - Anillo	01un.	 
2	421.03.530	-	O-ring - Anillo	01un.	
3	807.17.16	21.261.987	O-ring - Anillo	01un.	

SPARE PARTS					
Repuestos					
Nº	ROBIEL CODE	REFERENCE	DESCRIPTION	PACK	
3	807.17.16	21.261.987	Washer - Volvo D13 Unit - Nozzle Arandela Tobera Unidad Volvo D13	24un	
4A	220.03.08	F 00R J02 537   F 00R J03 561 6.000.900.262	Protective Cap - Injectors / Units Nozzle - 7.00mm Tapa Protectora p/ Tobera Inyectores / Unidades - 7.00mm	01kit	
4B	220.03.09	F 00H 410 849   F 002 C88 080 6.000.900.076	Protective Cap - Injectors / Units Nozzle - 9.00mm Tapa Protectora p/ Tobera Inyectores / Unidades - 9.00mm	01kit	



5	SHIM - COIL - VOLVO FH13 INJECTOR		
CALZO BOBINA INYECTOR VOLVO FH13			
Ø Int.: 1.90 Ø Ext.: 4.40			
ROBIEL CODE	REFERENCE	THICKNESS(mm)	
801.05.015	-	0.15	
801.05.030	-	0.30	
801.05.050	-	0.50	
801.05.060	-	0.60	
801.05.070	-	0.70	
801.05.080	-	0.80	
801.05.090	-	0.90	
801.05.100	-	1.00	
801.05.110	-	1.10	
801.05.120	-	1.20	
801.05.130	-	1.30	
<b>12 UNITS</b>			

6	SHIM - VOLVO FH13 INJECTOR NOZZLE		
CALZO DE LA TOBERA INYECTOR VOLVO FH13			
Ø Int.: 4.60 Ø Ext.: 9.30			
ROBIEL CODE	REFERENCE	THICKNESS(mm)	
804.09.015	-	0.15	
804.09.025	-	0.25	
804.09.030	-	0.30	
804.09.050	-	0.50	
804.09.060	-	0.60	
804.09.070	-	0.70	
804.09.080	-	0.80	
804.09.090	-	0.90	
804.09.100	-	1.00	
<b>12 UNITS</b>			

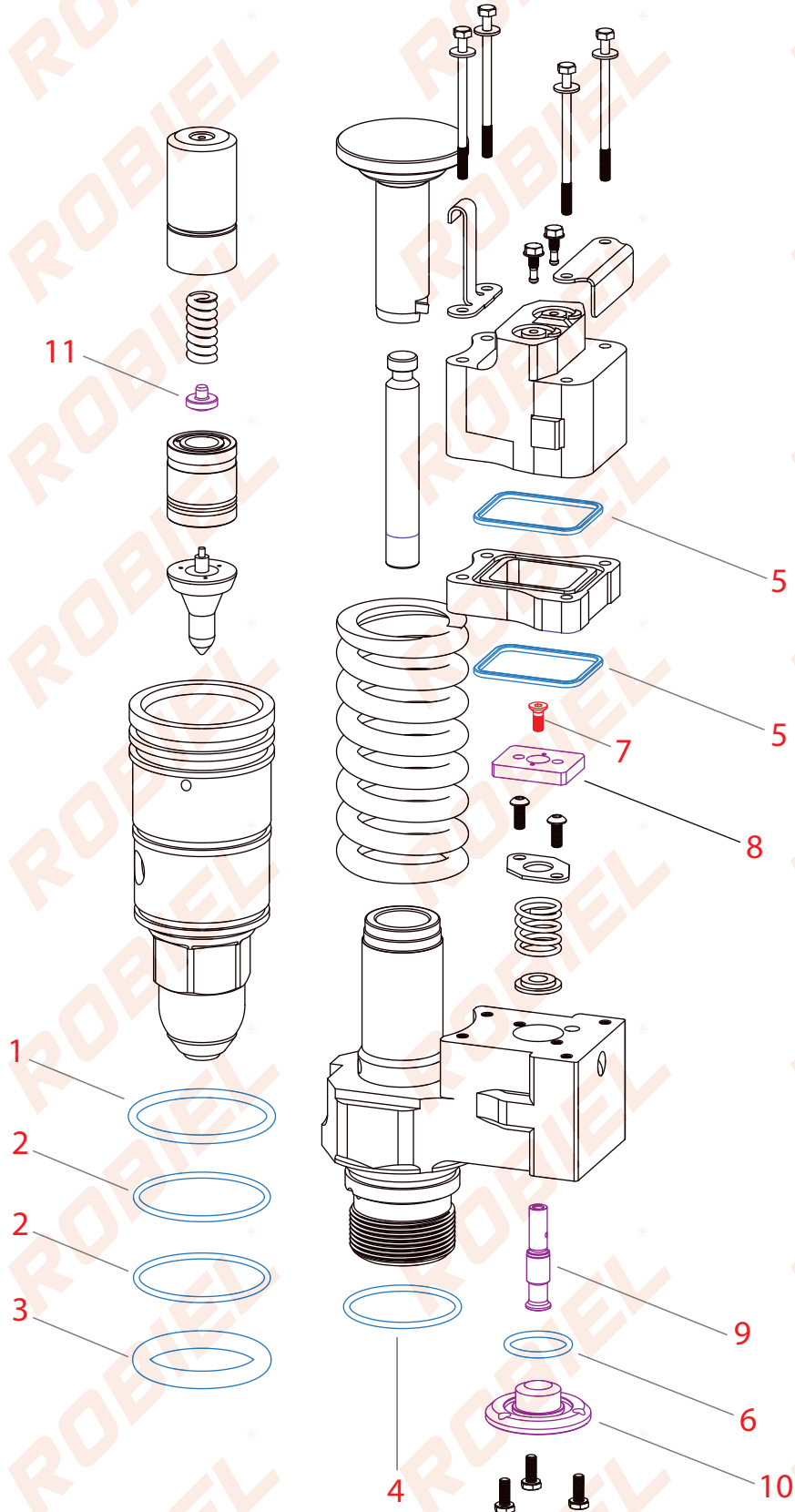
USE YOUR SMARTPHONE CAMERA TO SCAN THE QR CODE AND ACCESS MORE TECHNICAL INFORMATION FROM OUR PRODUCTS IN **ROBIEL®** APP.

USE LA CÁMARA DE SU TELÉFONO PARA ESCANEAR EL CÓDIGO QR Y OBTENER MÁS INFORMACIONES TÉCNICAS SOBRE LOS PRODUCTOS EN NUESTRA APLICACIÓN **ROBIEL®**.

**DOWNLOAD OUR NEW APP**  
DESCARGUE NUESTRA NUEVA APLICACIÓN



## DETROIT SERIE 60 N2 UNIT UNIDAD DETROIT SERIE 60 N2

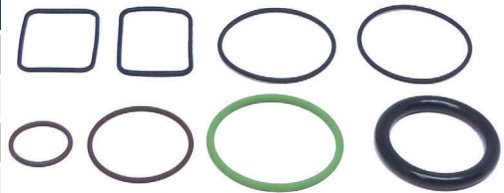


**410.00.60**

**REPAIR PARTS - DETROIT SERIE 60 UNIT**

REPARACION UNIDAD DETROIT SERIE 60

REFERENCE		DP-52300010		
Nº	ROBIEL CODE	REFERENCE	DESCRIPTION	PACK
1	421.03.926	-	O-ring - Anillo	01un.
2	421.03.817	-	O-ring - Anillo	02un.
3	421.03.153	-	O-ring - Anillo	01un.
4	421.03.217	-	O-ring - Anillo	01un.
5	421.23.31	-	Profile Ring - Anillo Perfil	02un.
6	421.01.718	-	O-ring - Anillo	01un.



**SPARE PARTS**  
Repuestos

Nº	ROBIEL CODE	REFERENCE	DESCRIPTION	PACK	Qr Code
7	250.21.70	-	Bolt - MBB / Detroit Serie 60 Unit Armature Tornillo Placa Atrake Unidad MBB / Detroit Serie 60	06un.	

8	ARMATURE PLATE - DETROIT UNIT PLACA ATRAQUE UNIDAD DETROIT		
	ROBIEL CODE	REFERENCE	THICKNESS(mm)
	801.09.385	-	3.85
	801.09.387	-	3.87
	801.09.389	-	3.89
	801.09.391	-	3.91
	801.09.393	-	3.93
	801.09.395	-	3.95
<b>02 UNITS</b>			



9	Plunger - DETROIT UNIT VALVE ELEMENTO VALVULA UNIDAD DETROIT		
	ROBIEL CODE	REFERENCE	THICKNESS(mm)
	340.10.00	DP-5239015	7.000
	340.10.05	-	7.005
	340.10.10	-	7.010
	340.10.15	-	7.015
<b>01 UNIT</b>			



10	PLUG - DETROIT UNIT TAPON DE LA UNIDAD DETROIT		
	ROBIEL CODE	REFERENCE	THICKNESS(mm)
	165.05.665	-	6.65
	165.05.668	-	6.68
	165.05.671	-	6.71
	165.05.674	-	6.74
<b>01 UNIT</b>			



11	PIN - DETROIT UNIT NOZZLE TOP DE LA TOBERA UNIDAD DETROIT		
	ROBIEL CODE	REFERENCE	THICKNESS(mm)
	305.01.310	-	3.10 mm
	305.01.315	-	3.15 mm
	305.01.320	-	3.20 mm
	305.01.325	-	3.25 mm
<b>01 UNIT</b>			



**323.01.3241**

Rotating Vise W /  
Indexer Pin  
Morsa Giratoria con Pin index



**324.15.01**

Injectors and Units  
Repair Bracket  
Soporte para reparacion  
de Inyectores y Unidades



**323.50.043**

Detroit EUI 60 Series N2DD2 IV  
- Bosch EUI/EUP Valve  
Changeover Kit  
Kit de Herramientas Unidades Detroit  
EUI 60 Series N2DD2 IV - Bosch  
EUI/EUP - Troca de la Valvula



**323.50.29**

Detroit EUI 60 Series N2DD2 IV  
Tool Kit  
Kit de Herramientas Unidades Detroit  
EUI Serie 60 N2DDE IV



USE YOUR SMARTPHONE CAMERA TO SCAN THE QR CODE AND ACCESS MORE TECHNICAL INFORMATION FROM OUR PRODUCTS IN **ROBIEL** APP.

USE LA CÁMARA DE SU TELÉFONO PARA ESCANEAR EL CÓDIGO QR Y OBTENER MÁS INFORMACIONES TÉCNICAS SOBRE LOS PRODUCTOS EN NUESTRA APLICACIÓN **ROBIEL**.

**DOWNLOAD OUR NEW APP**  
DESCARGUE NUESTRA NUEVA APLICACIÓN

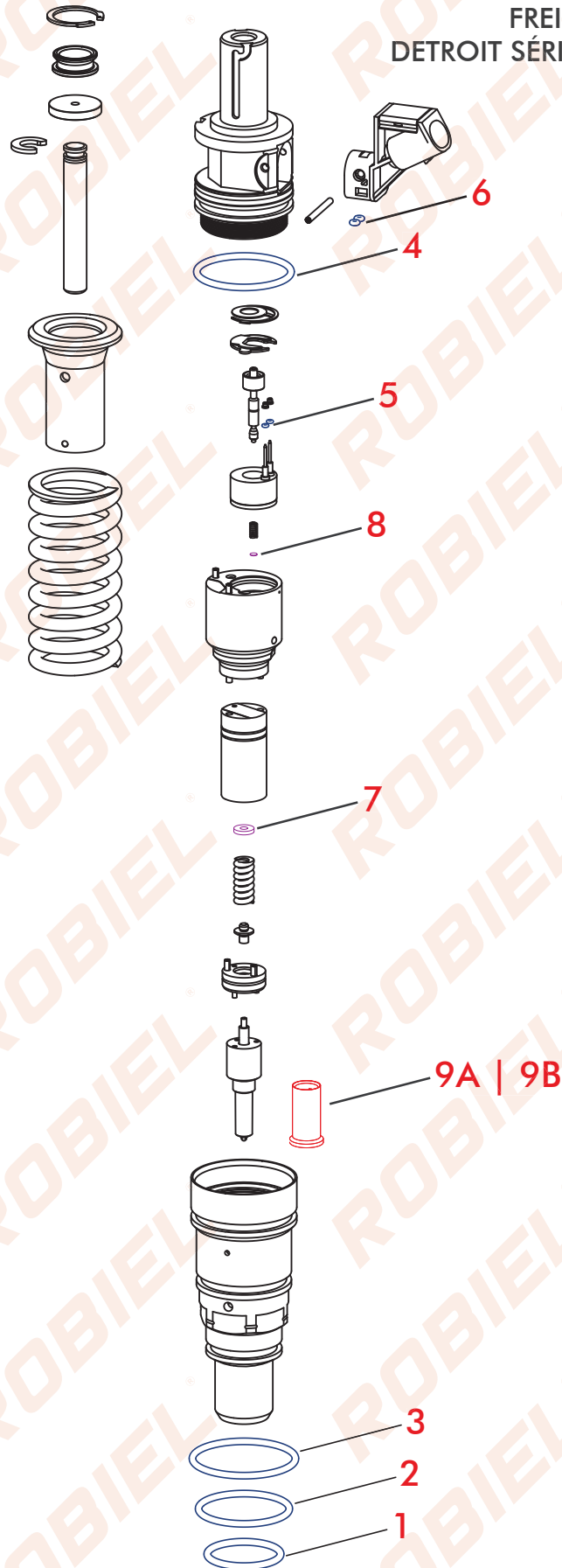


## DETROIT - N3 BOSCH UNIT UNIDAD BOSCH N3 - DETROIT

FREIGHTLINER | COLUMBIA  
DETROIT SÉRIE 60 N3 14.0 L DDEC V

UNIT CODE

0 414 703 003



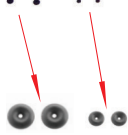
**420.37.111 REPAIR RINGS SET - E1/DETROIT S60 UNIT NUT**  
 REPARACION ANILLOS TUERCA UNIDAD E1/DETROIT S60

REFERENCE		A-23537111		
Nº	ROBIEL CODE	REFERENCE	DESCRIPTION	PACK
1	421.02.726	-	O-ring - Anillo	01un.
2	421.03.426	-	O-ring - Anillo	01un.
3	421.03.926	-	O-ring - Anillo	01un.




**420.37.112 REPAIR RINGS SET - BOSCH E1/DETROIT S60 UNIT**  
 REPARACION ANILLOS UNIDAD BOSCH E1/DETROIT S60

REFERENCE		A-23537111		
Nº	ROBIEL CODE	REFERENCE	DESCRIPTION	PACK
1	421.02.726	-	O-ring - Anillo	01un.
2	421.03.426	-	O-ring - Anillo	01un.
3	421.03.926	-	O-ring - Anillo	01un.
4	421.03.726	-	O-ring - Anillo	01un.
5	421.00.071	-	Lower connector ring - Anillo Conector Inferior	02un.
6	421.00.072	-	Top connector ring - Anillo Conector Superior	02un.


**420.22.009 REPAIR RINGS SET - IVECO/ EURO V UNIT CONNECTOR**  
 REPARACION ANILLOS CONECTOR UNIDAD IVECO EURO V

REFERENCE				
Nº	ROBIEL CODE	REFERENCE	DESCRIPTION	PACK
5	421.00.071	-	Lower connector ring - Anillo Conector Inferior	12un.
6	421.00.072	-	Top connector ring - Anillo Conector Superior	12un.




**SPARE PARTS**  
 Repuestos

Nº	ROBIEL CODE	REFERENCE	DESCRIPTION	PACK
9A	220.03.08	F 00R J02 537   F 00R J03 561 6.000.900.262	Protective Cap - Injectors / Units Nozzle - 7.00mm Tapa Protectora p/ Tobera Inyectores / Unidades - 7.00mm	01kit
9B	220.03.09	F 00H 410 849   F 002 C88 080 6.000.900.076	Protective Cap - Injectors / Units Nozzle - 9.00mm Tapa Protectora p/ Tobera Inyectores / Unidades - 9.00mm	01kit





7 SHIM - EUI   PDE - EUP   PLD UNIT NOZZLE CALZO TOBERA UNIDAD EUI   PDE - EUP   PLD			
Ø Int.: 3.00 Ø Ext.: 8.00			
ROBIEL CODE	REFERENCE	THICKNESS(mm)	
803.09.080	2 430 102 280	0.80	
803.09.085	-	0.85	
803.09.090	2 430 102 290	0.90	
803.09.095	-	0.95	
803.09.10	2 430 102 300	1.00	
803.09.105	2 430 102 306	1.05	
803.09.11	2 430 102 310	1.10	
803.09.115	2 430 102 316	1.15	
803.09.12	2 430 102 320	1.20	
803.09.125	2 430 102 326	1.25	
803.09.13	2 430 102 330	1.30	
803.09.135	2 430 102 336	1.35	
803.09.14	2 430 102 340	1.40	
803.09.145	2 430 102 346	1.45	
803.09.15	2 430 102 350	1.50	
803.09.155	2 430 102 356	1.55	
803.09.16	2 430 102 360	1.60	
803.09.165	2 430 102 366	1.65	
803.09.17	2 430 102 370	1.70	
803.09.175	2 430 102 376	1.75	
803.09.18	2 430 102 380	1.80	
803.09.185	2 430 102 386	1.85	
803.09.19	2 430 102 390	1.90	
803.09.20	2 430 102 398	2.00	
<b>12 UNITS</b>			

8 SHIM - EUI BOSCH E1 UNIT ARMATURE CALZO ATRAQUE BOSCH EUI E1 UNIDAD			
Ø 2.80			
ROBIEL CODE	REFERENCE	THICKNESS(mm)	
800.28.030	-	0.30	
800.28.035	-	0.35	
800.28.040	-	0.40	
800.28.045	-	0.45	
800.28.050	-	0.50	
800.28.060	-	0.60	
<b>12 UNITS</b>			



**323.50.111**

Bosch EUI | EUP Units Tool Kit  
Kit de Herramientas Unidades Bosch EUI | EUP



**323.01.3241**

Rotating Vise W /  
Indexer Pin  
Morsa Giratoria con Pin index



**324.15.01**

Injectors and Units Repair  
Bracket  
Soporte para reparación  
de Inyectores y Unidades



**323.01.221**

Nozzle tester Adapter  
Euro 5 Units  
Adaptador Prueba Tobera  
Unidades Euro 5



# FIND PRODUCTS BY SCANNING THE ROBIEL PACKAGE **QR CODE!**



**DOWNLOAD NOW!**



[WWW.ROBIEL.COM](http://WWW.ROBIEL.COM)

USE YOUR SMARTPHONE CAMERA TO SCAN THE QR CODE AND ACCESS MORE **TECHNICAL INFORMATION** FROM OUR PRODUCTS IN **ROBIEL** APP.

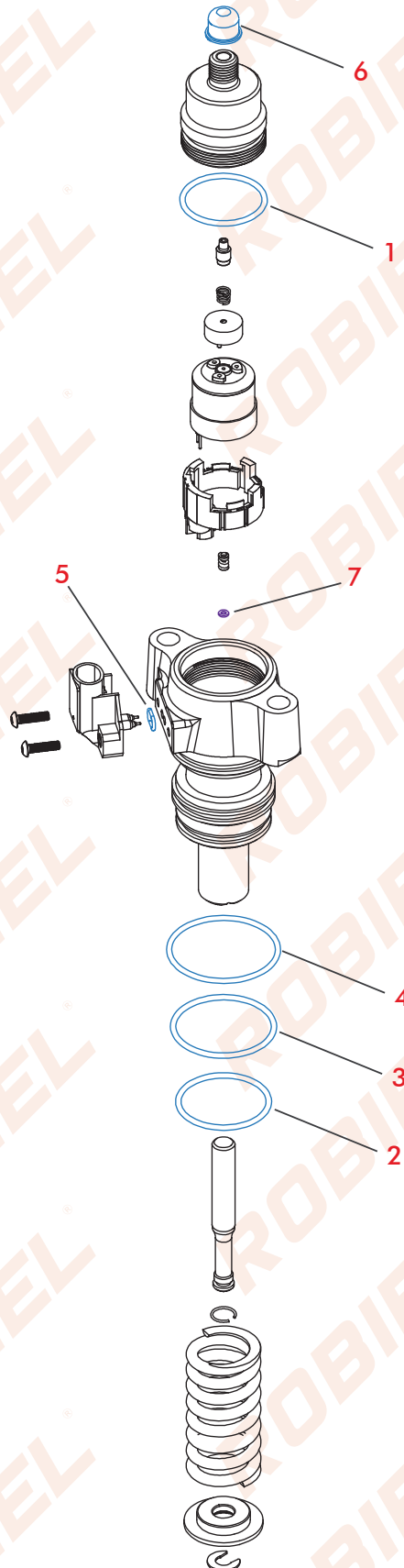
USE LA CÁMARA DE SU TELÉFONO PARA ESCANEAR EL CÓDIGO QR Y OBTENER MÁS **INFORMACIONES TÉCNICAS** SOBRE LOS PRODUCTOS EN NUESTRA APLICACIÓN **ROBIEL**.

**DOWNLOAD OUR NEW APP**  
DESCARGUE NUESTRA NUEVA APLICACIÓN



## DAF MX13 UNIT PUMP BOMBA DAF MX13

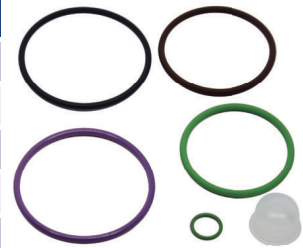
166-8325



**410.12.325**

**REPAIR KIT - DAF MX13 UNIT PUMP**  
KIT DE REPARACIÓN BOMBA DAF MX13

REFERENCE		166-8325		
Nº	ROBIEL CODE	REFERENCE	DESCRIPTION	PACK
1	421.03.726	-	O-ring - Anillo	01un
2	421.41.262	-	O-ring - Anillo	01un
3	421.46.262	-	O-ring - Anillo	01un
4	421.05.025	-	O-ring - Anillo	01un
5	421.00.815	-	O-ring - Anillo	01un
6	220.03.02	-	Protective - Tapa de Proteccion	01un



**7**

**SHIM - ADJUSTMENT - DAF**  
CALZO DE AJUSTE UNIDAD DAF  
Ø Int.: 2.40 Ø Ext.: 5.10

ROBIEL CODE	REFERENCE	THICKNESS(mm)
802.05.01	-	0.10
802.05.02	-	0.15
802.05.03	-	0.25
802.05.04	-	0.50
802.05.05	-	0.30
802.05.06	-	0.60
802.05.07	-	0.70
802.05.08	-	0.80
802.05.09	-	0.90
802.05.10	-	1.00

06 UNITS



**323.50.41**

TOOL SET - DAF INJECTORS /  
UNIT PUMP  
JUEGO DE REPARACIÓN INYECTOR Y  
UNIDAD DAF



**323.01.3241**

Rotating Vise W /  
Indexer Pin  
Morsa Giratoria con Pin index



**324.15.01**

Injectors and Units Repair  
Bracket  
Soporte para reparación  
de Inyectores y Unidades



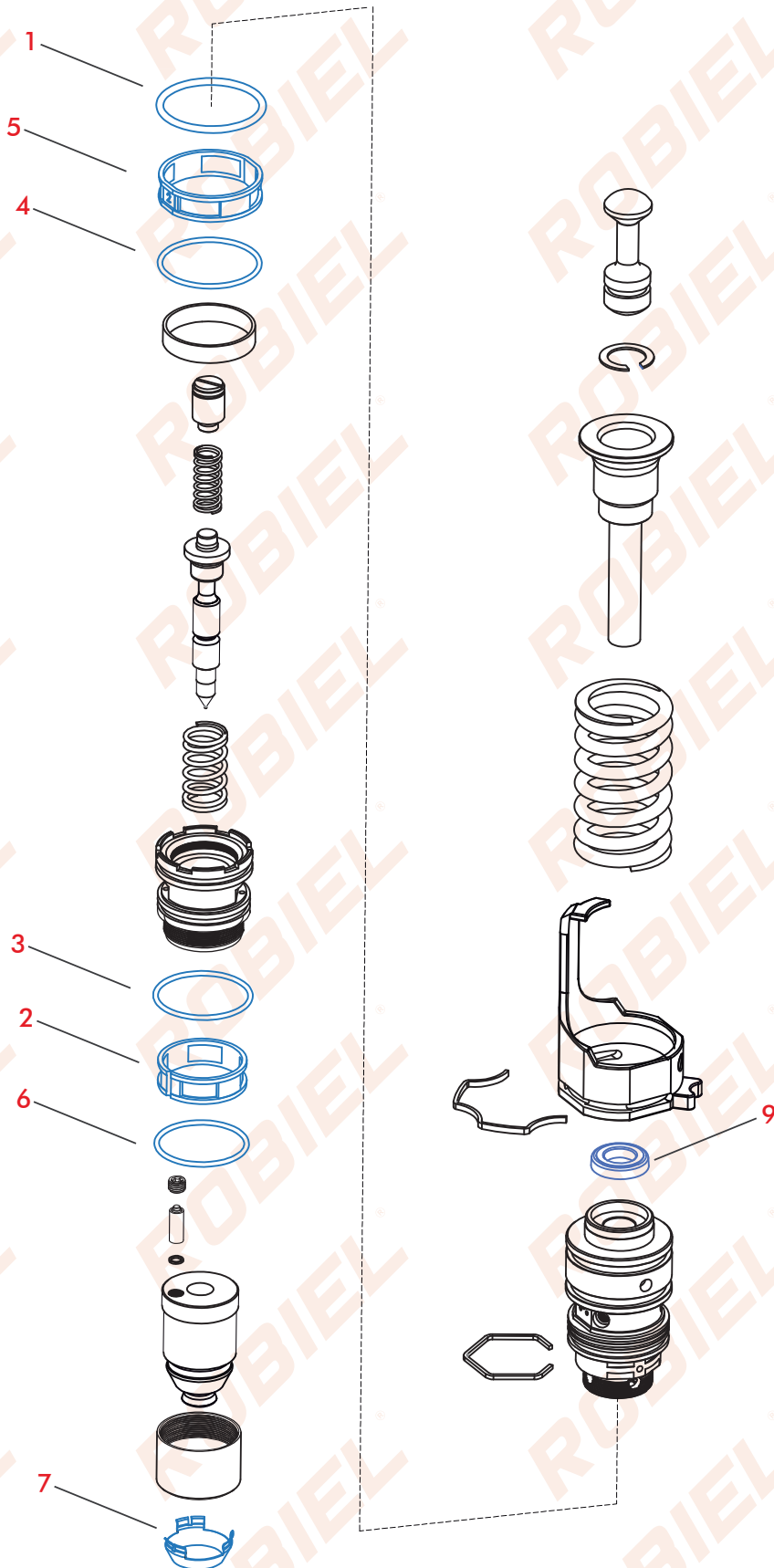
USE YOUR SMARTPHONE CAMERA TO SCAN THE QR CODE AND ACCESS MORE TECHNICAL INFORMATION FROM OUR PRODUCTS IN **ROBIEL®** APP.

USE LA CÁMARA DE SU TELÉFONO PARA ESCANEAR EL CÓDIGO QR Y OBTENER MÁS **INFORMACIONES TÉCNICAS** SOBRE LOS PRODUCTOS EN NUESTRA APLICACIÓN **ROBIEL®**.

**DOWNLOAD OUR NEW APP**  
DESCARGUE NUESTRA NUEVA APLICACIÓN



**CUMMINS ISX | QSX UNIT INJECTOR HPI**



**UNIT CODE**

4062568

4062569

4068665

4928260

4954434

4954646

1764365

4954888

**410.32.235 OVERHAUL REPAIR PARTS - SCANIA 470 HPI | CUMMINS ISX15**  
 REPARACION COMPLETA UNIDAD CUMMINS ISX | SCANIA 470 HPI

REFERENCE				
Nº	ROBIEL CODE	REFERENCE	DESCRIPTION	PACK
2	200.01.06	-	FUEL FILTER - CUMMINS ISX / QSX UNIT - WHITE FILTRO ALIMENTACION - UNIDAD CUMMINS ISX / QSX - BLANCO	01 pç.
7	600.02.14	-	WASHER CUMMINS ISX/QSX NOZZLE ARANDELA DE LA TOBERA CUMMINS ISX/QSX	01 pç.
6	421.35.626	-	O-RING BLACK 35.60X2.62MM ANILLO O-RING NEGRO 35.60X2.62MM	01 pç.
1	421.31.178	-	O-RING VT PTFE GREEN 75HSA-31.47X1.78 ANILLO VT PTFE VD 75HSA-33.47X1.78MM	01 pç.
4	421.03.516	-	O-RING PURPLE 34.70X1.80 MM ANILLO ORING LILA 34.70X1.80 MM	01 pç.
3	421.03.317	-	O-RING VT PTFE YELLOW 75HSA-33.05X1.78MM ANILLO VT PTFE AM 75HSA-33.05X1.78MM	01 pç.
5	200.01.07	-	HYDRAULIC FILTER - CUMMINS ISX / QSX UNIT - BLACK FILTRO HIDRAULICA - UNIDAD CUMMINS ISX / QSX - NEGRO	01 pç.
8	305.04.12	-	Pin - 3.00 x 30.00 mm Alfiler - 3.00 x 30.00 mm	01 pç.
9	430.12.214	-	Retainer Retén	01 pç.



**410.32.236 FILTER REPAIR PARTS - CUMMINS ISX / QSX**  
 REPARACION FILTRO SCANIA 470 / CUMMINS ISX / QSX

REFERENCE				
Nº	ROBIEL CODE	REFERENCE	DESCRIPTION	PACK
1	200.01.07	-	HYDRAULIC FILTER - CUMMINS ISX / QSX UNIT - BLACK FILTRO HIDRAULICA - UNIDAD CUMMINS ISX / QSX - NEGRO	01 un
2	200.01.06	-	FUEL FILTER - CUMMINS ISX / QSX UNIT - WHITE FILTRO ALIMENTACION - UNIDAD CUMMINS ISX / QSX - BLANCO	01 un



**410.32.237 REPAIR PARTS - WASHER AND O-RINGS - CUMMINS ISX / QSX**  
 REPARACION DE ANILLOS Y ARANDELA - UNIDAD CUMMINS ISX / QSX

REFERENCE				
Nº	ROBIEL CODE	REFERENCE	DESCRIPTION	PACK
3	421.35.626	-	O-RING BLACK 35.60X2.62MM ANILLO O-RING NEGRO 35.60X2.62MM	01 un
4	421.03.516	-	O-RING PURPLE 34.70X1.80 MM ANILLO ORING LILA 34.70X1.80 MM	01 un
5	421.03.317	-	O-RING VT PTFE YELLOW 75HSA-33.05X1.78MM ANILLO VT PTFE AM 75HSA-33.05X1.78MM	01 un
6	421.31.178	-	O-RING VT PTFE VD 75HSA-33.05X1.78MM	01 un
7	600.02.14	-	WASHER CUMMINS ISX/QSX NOZZLE ARANDELA DE LA TOBERA CUMMINS ISX/QSX	01 un



**323.01.3241**

Rotating Vise W /  
Indexer Pin  
Morsa Giratoria con Pin index



**324.15.01**

Injectors and Units Repair  
Bracket  
Soporte para reparación  
de Inyectores y Unidades



410.32.239		REPAIR PARTS - O-RINGS AND FILTER CUMMINS ISX / QSX		
REFERENCE		4025063		
Nº	ROBIEL CODE	REFERENCE	DESCRIPTION	PACK
2	200.01.06	-	FUEL FILTER - CUMMINS ISX / QSX UNIT - WHITE FILTRO ALIMENTACION - UNIDAD CUMMINS ISX / QSX - BLANCO	01un
7	600.02.14	-	WASHER CUMMINS ISX / SCANIA 470 HPI Arandela Cummins ISX/Scania 470 HPI	01un
6	421.31.178	-	O-RING VT PTFE GREEN 75HSA-31.47X1.78 ANILLO VT PTFE VD 75HSA-33.47X1.78MM	01un
1	200.01.07	-	HYDRAULIC FILTER - CUMMINS ISX / QSX UNIT - BLACK FILTRO HIDRAULICA - UNIDAD CUMMINS ISX / QSX - NEGRO	01un
4	421.03.516	-	O-RING PURPLE 34.70X1.80 MM ANILLO ORING LILA 34.70X1.80 MM	01un
3	421.35.626	-	O-RING BLACK 35.60X2.62MM ANILLO O-RING NEGRO 35.60X2.62MM	01un
5	421.03.317	-	O-RING VT PTFE YELLOW 75HSA-33.05X1.78MM ANILLO VT PTFE AM 75HSA-33.05X1.78MM	01un



SPARE PARTS Repuestos				
Nº	ROBIEL CODE	REFERENCE	DESCRIPTION	PACK
8	340.02.03	-	OVERFLOW VALVE - SCANIA 1427453 REGULADOR DE PRESIÓN SCANIA 1427453	01un
9	340.02.04	-	OVERFLOW VALVE - SCANIA 1428797 REGULADOR DE PRESIÓN SCANIA 1428797	01un

8



9



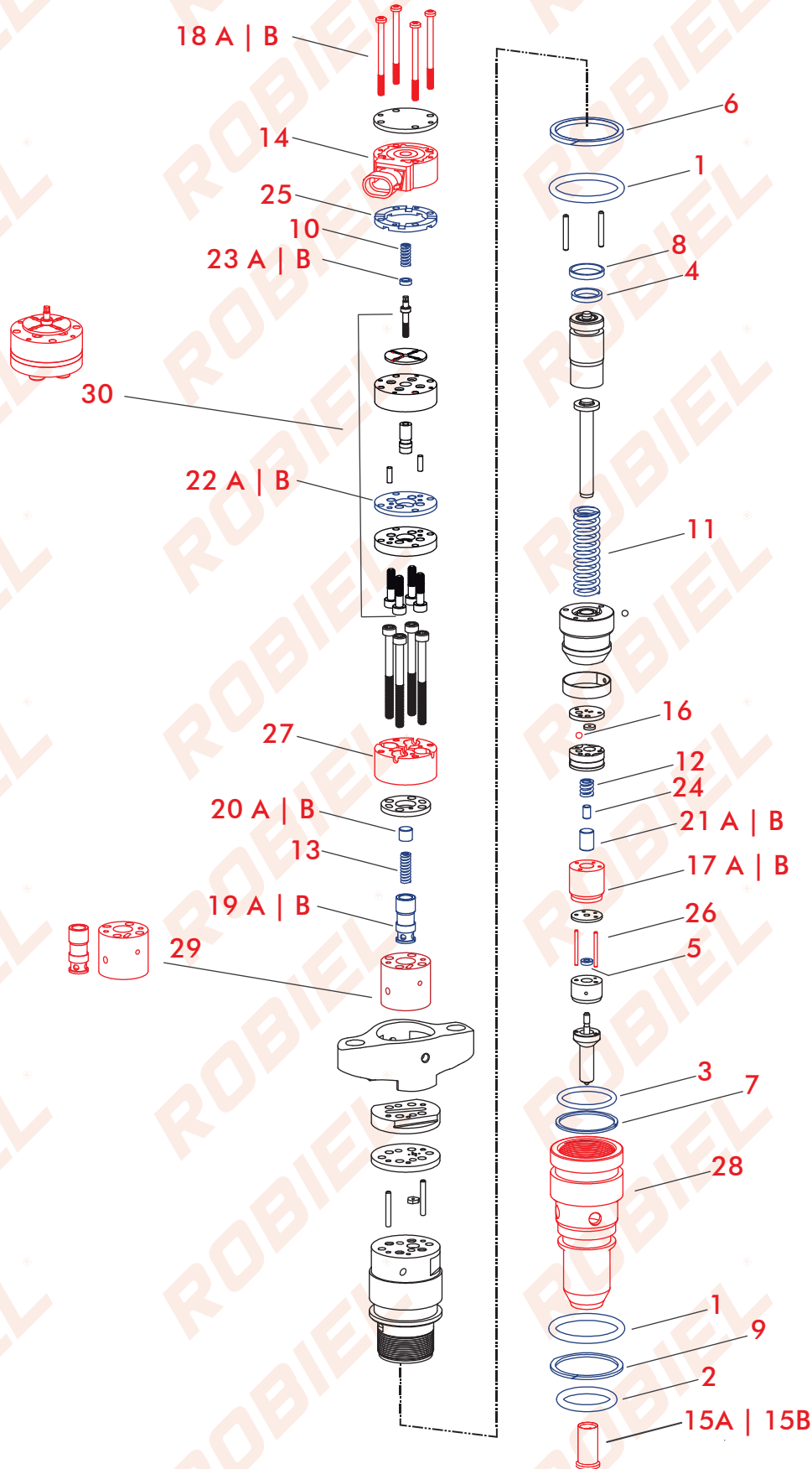
USE YOUR SMARTPHONE CAMERA TO SCAN THE QR CODE AND ACCESS MORE **TECHNICAL INFORMATION** FROM OUR PRODUCTS IN **ROBIEL® APP**.

USE LA CÁMARA DE SU TELÉFONO PARA ESCANEAR EL CÓDIGO QR Y OBTENER MÁS **INFORMACIONES TÉCNICAS** SOBRE LOS PRODUCTOS EN NUESTRA APLICACIÓN **ROBIEL®**.

**DOWNLOAD OUR NEW APP**  
DESCARGUE NUESTRA NUEVA APLICACIÓN

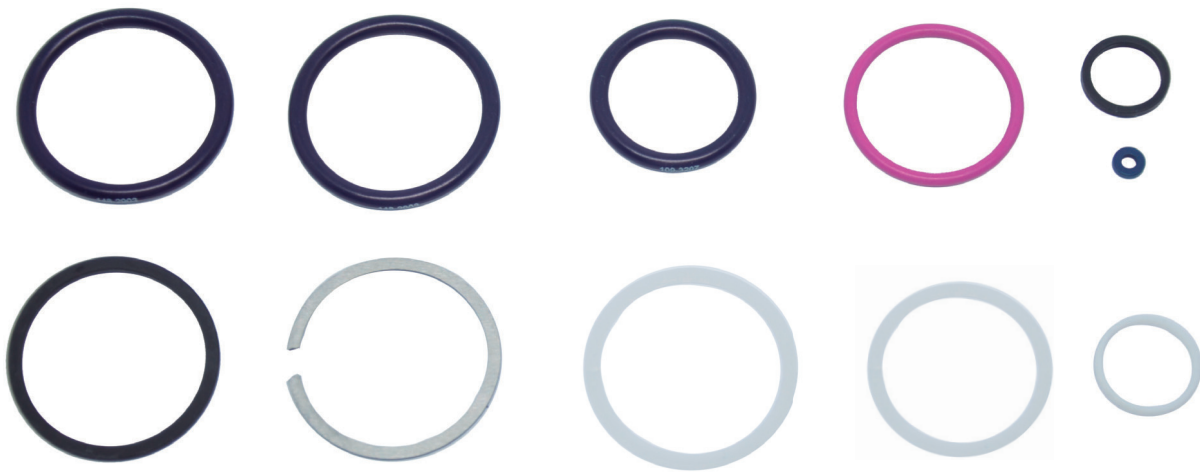


**CATERPILLAR HEUI C7 | C9 UNIT**  
UNIDAD CATERPILLAR HEUI C7 | C9

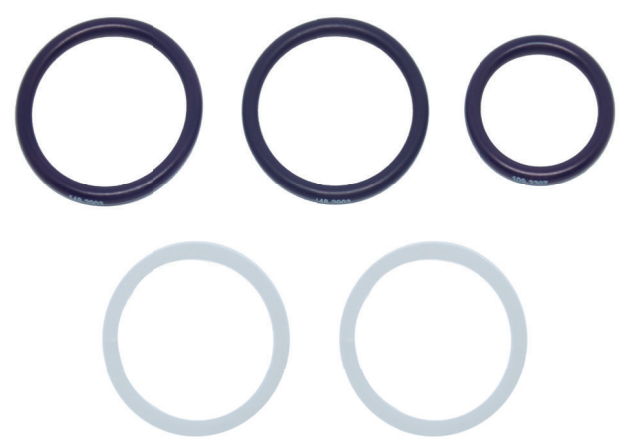




410.61.009		REPAIR PARTS - HEUI CATERPILLAR C9 UNIT		
		REPARACION UNIDAD HEUI CATERPILLAR C9		
REFERENCE				
Nº	ROBIEL CODE	REFERENCE	DESCRIPTION	PACK
1	421.03.135	148-2903	O-ring - Anillo	02un.
2	421.02.335	109-3207	O-ring - Anillo	01un.
3	421.02.727	-	O-ring - Anillo	01un.
4	421.13.1622	-	Profile Ring - Anillo Perfil	01un.
5	421.03.0617	-	Profile Ring - Anillo Perfil	01un.
6	421.32.3719	-	Profile Ring - Anillo Perfil	01un.
6	335.01.3509	-	Ring - Anillo	01un.
7	424.28.3110	-	Profile Ring - Anillo Perfil	01un.
8	424.16.1825	-	O-ring - Anillo	01un.
9	424.32.3714	-	O-ring - Anillo	01un.

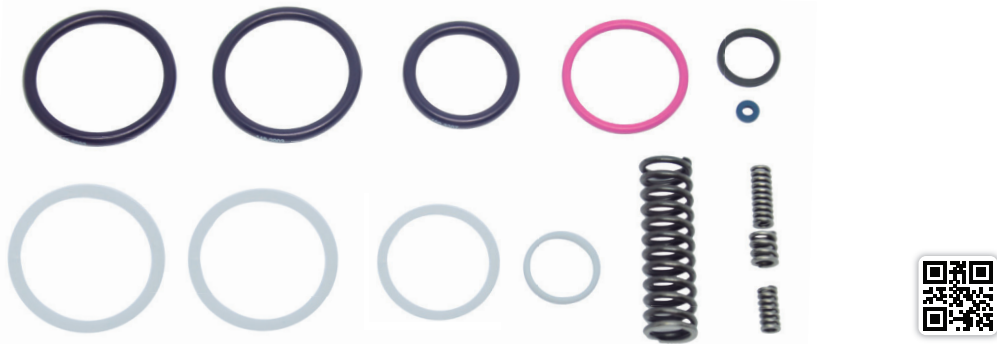


410.61.841		REPAIR PARTS - HEUI CATERPILLAR C7/C9 UNIT		
		REPARACION UNIDAD HEUI CATERPILLAR C7/C9		
REFERENCE				
Nº	ROBIEL CODE	REFERENCE	DESCRIPTION	PACK
1	421.03.135	148-2903	O-ring - Anillo	02un.
2	421.02.335	109-3207	O-ring - Anillo	01un.
6	424.33.3823	-	O-ring - Anillo	01un.
9	424.32.3714	-	O-ring - Anillo	01un.



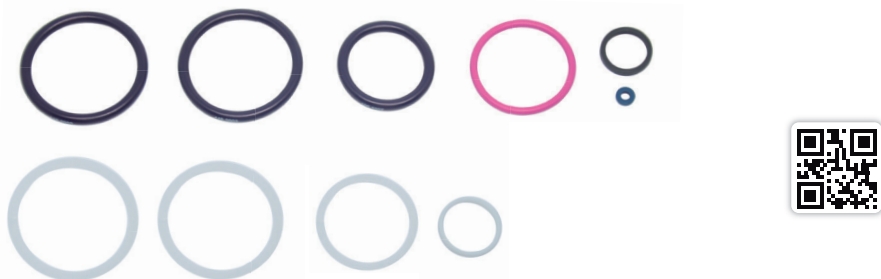
**410.61.010** REPAIR PARTS - HEUI CATERPILLAR C7 UNIT (OVERHAUL)  
 REPARACION UNIDAD HEUI CATERPILLAR C7 COMPLETA

REFERENCE				
Nº	ROBIEL CODE	REFERENCE	DESCRIPTION	PACK
1	421.03.135	148-2903	O-ring - Anillo	02un.
2	421.02.335	109-3207	O-ring - Anillo	01un.
3	421.02.727	-	O-ring - Anillo	01un.
4	421.13.1622*	-	Profile Ring - Anillo Perfil	01un.
5	421.03.0617*	-	Profile Ring - Anillo Perfil	01un.
6	424.33.3823	-	Profile Ring - Anillo Perfil	01un.
7	424.28.3110	-	Profile Ring - Anillo Perfil	01un.
8	424.16.1825*	-	Ring - Anillo	01un.
9	424.32.3714	-	Ring - Anillo	01un.
10	225.01.56	C7 - C9	Spring - Resorte	01un.
11	225.01.55	C7 - C9	Spring - Resorte	01un.
12	225.01.54	C7 - C9	Spring - Resorte	01un.
13	225.01.57	C7	Spring - Resorte	01un.



**410.61.0101** REPAIR PARTS - HEUI CATERPILLAR C7 UNIT - PARTIAL  
 REPARACION UNIDAD HEUI CATERPILLAR C7 PARCIAL

REFERENCE				
Nº	ROBIEL CODE	REFERENCE	DESCRIPTION	PACK
1	421.03.135	148-2903	O-ring - Anillo	02un.
2	421.02.335	109-3207	O-ring - Anillo	01un.
3	421.02.727	-	O-ring - Anillo	01un.
4	421.13.1622*	-	Profile Ring - Anillo Perfil	01un.
5	421.03.0617*	-	Profile Ring - Anillo Perfil	01un.
6	424.33.3823	-	Profile Ring - Anillo Perfil	01un.
7	424.28.3110	-	Profile Ring - Anillo Perfil	01un.
8	424.16.1825*	-	Ring - Anillo	01un.
9	424.32.3714	-	Ring - Anillo	01un.




<b>SPARE PARTS</b> <i>Repuestos</i>				
Nº	ROBIEL CODE	REFERENCE	DESCRIPTION	PACK
<b>14</b>	VS3.87.9434	2145427	Solenoid - HEUI Caterpillar C7   C9 Unit <i>Solenoido Unidad HEUI Caterpillar C7   C9</i>	<b>01un</b>
<b>15A</b>	220.03.08	F 00R J02 537   F 00R J03 561 6.000.900.262	Protective Cap - Injectors / Units Nozzle - 7.00mm <i>Tapa Protectora p/ Tobera Inyectores / Unidades - 7.00mm</i>	<b>01kit</b>
<b>15B</b>	220.03.09	F 00H 410 849   F 002 C88 080 6.000.900.076	Protective Cap - Injectors / Units Nozzle - 9.00mm <i>Tapa Protectora p/ Tobera Inyectores / Unidades - 9.00mm</i>	<b>01kit</b>
<b>16</b>	190.50.19	-	Ball- C7   C9   3126 Unit <i>Bolita Unidad C7   C9   3126</i>	<b>12un</b>
<b>17A</b>	340.14.000	-	Diesel Control Valve - C7 <i>Valvula Control Diesel - C7</i>	<b>01kit.</b>
<b>17B</b>	340.13.000	-	Diesel Control Valve - C9 <i>Valvula Control Diesel - C9</i>	<b>01kit.</b>
<b>18A</b>	250.22.0340	-	Screw - Caterpillar C7 Unit Solenoid HEUI <i>Tornillo Solenoide Caterpillar C7</i>	<b>12un</b>
<b>18B</b>	250.22.0335	-	Screw - Caterpillar C9 Unit Solenoid HEUI <i>Tornillo Solenoide Caterpillar C9</i>	<b>12un</b>
<b>26</b>	800.16.190	-	Pin - Guide 1.60x19mm - CAT C7   C9   3126 Unit <i>Pin Guia 1.60x19mm Unidad Cat C7   C9   3126</i>	<b>04un</b>
<b>27</b>	340.19.01	-	SPACER VALVE - HEUI CAT C7 UNIT <i>VALVULA ESPACIADORA - UNIDAD CAT HEUI C7</i>	<b>01un</b>
<b>28</b>	315.06.67	-	Caterpillar Nozzle Nut C7 <i>Porta Tobera Caterpillar C7</i>	<b>04un</b>
<b>29</b>	340.19.02	-	SPOOL VALVE - HEUI CAT C7 <i>VALVULA SPOOL - CAT C7 HEUI</i>	<b>01un</b>
<b>30</b>	340.19.03	-	POPPET VALVE - CAT C7 UNIT <i>VALVULA POPPET - UNIDAD CAT C7</i>	<b>01un</b>
<b>R1</b>	800.33.190	-	PIN - CAT C9 SPOOL VALVE <i>TOP VALVULA SPOOL CAT C9</i>	<b>04un</b>




<b>19 A</b>	Plunger - C7 SPOOL VALVE <i>ELEMENTO VALVULA SPOOL C7</i>		
	ROBIEL CODE	REFERENCE	THICKNESS(mm)
	340.12.00	-	10.000
	340.12.10	-	10.015
	340.12.15	-	10.015
<b>01 UNIT</b>			

<b>19 B</b>	Plunger - C9 SPOOL VALVE <i>ELEMENTO VALVULA SPOOL C9</i>		
	ROBIEL CODE	REFERENCE	THICKNESS(mm)
	340.15.00	-	10.000
	340.15.10	-	10.010
	340.15.15	-	10.015
<b>01 UNIT</b>			


<b>20 B</b>	SHIM - C9 SPOOL VALVE SPRING <i>CALZO RESORTE VALVULA SPOOL C9</i>			
	ROBIEL CODE	REFERENCE	TICKNESS(mm)	
	833.57.9450	-	4.500	
	833.57.9460	-	4.600	
	833.57.9470	-	4.700	
	833.57.9480	-	4.800	
	833.57.9640	-	4.900	
	833.57.9500	-	5.000	
	833.57.9510	-	5.100	
	833.57.9520	-	5.200	
	833.57.9530	-	5.300	
	833.57.9540	-	5.400	
	833.57.9550	-	5.500	
	833.57.9560	-	5.600	
	833.57.9570	-	5.700	
	833.57.9580	-	5.800	
	833.57.9590	-	5.900	
	833.57.9600	-	6.000	
	833.57.9610	-	6.100	
	833.57.9620	-	6.200	
	833.57.9630	-	6.300	
	833.57.9640	-	6.400	
	833.57.9650	-	6.500	
<b>6 UNITS</b>				


**20 A** SHIM - C7 SPOOL VALVE SPRING  
CALZO RESORTE VALVULA SPOOL C7 



ROBIEL CODE	REFERENCE	THICKNESS(mm)
854.68.0450	-	4.500
854.68.0460	-	4.600
854.68.0470	-	4.700
854.68.0480	-	4.800
854.68.0490	-	4.900
854.68.0500	-	5.000
854.68.0510	-	5.100
854.68.0520	-	5.200
854.68.0530	-	5.300
854.68.0540	-	5.400
854.68.0550	-	5.500
854.68.0560	-	5.600
854.68.0570	-	5.700
854.68.0580	-	5.800
854.68.0590	-	5.900
854.68.0600	-	6.000
854.68.0610	-	6.100
854.68.0620	-	6.200
854.68.0630	-	6.300
854.68.0640	-	6.400
854.68.0650	-	6.500


**6 UNITS**


**21 B** PRESSURE ADJUSTING PIN FOR C9 CONTROL VALVE  
PIN DE AJUSTE PRESION VALVULA DE CONTROL DIESEL C9 



ROBIEL CODE	REFERENCE	THICKNESS(mm)
340.13.580	-	5.800
340.13.585	-	5.850
340.13.590	-	5.900
340.13.595	-	5.950
340.13.600	-	6.000
340.13.605	-	6.050
340.13.610	-	6.100
340.13.615	-	6.150
340.13.620	-	6.200


**06 UNITS**


**21 A** PRESSURE ADJUSTING PIN FOR C7 CONTROL VALVE  
PIN DE AJUSTE PRESION VALVULA DE CONTROL DIESEL C7 



ROBIEL CODE	REFERENCE	THICKNESS(mm)
340.14.0965	-	9.650
340.14.0970	-	9.700
340.14.0975	-	9.750
340.14.0980	-	9.800
340.14.0985	-	9.850
340.14.0990	-	9.900
340.14.0995	-	9.950
340.14.1000	-	10.000
340.14.1005	-	10.050
340.14.1010	-	10.100
340.14.1015	-	10.150
340.14.1020	-	10.200
340.14.1025	-	10.250
340.14.1030	-	10.300


**06 UNITS**


**22 A** SHIM - ADJUSTMENT - C7 POPPET VALVE  
CALZO AJUSTE VALVULA POPPET C7 



ROBIEL CODE	REFERENCE	THICKNESS(mm)
871.03.2215	-	2.150
871.03.2216	-	2.160
871.03.2217	-	2.170
871.03.2218	-	2.180
871.03.2219	-	2.190
871.03.2220	-	2.200
871.03.2221	-	2.210
871.03.2222	-	2.220
871.03.2223	-	2.230
871.03.2224	-	2.240
871.03.2225	-	2.250

**06 UNITS**



**22 B** SHIM - ADJUSTMENT - C9 POPPET VALVE  
CALZO AJUSTE VALVULA POPPET C9 



ROBIEL CODE	REFERENCE	THICKNESS(mm)
891.03.2115	-	1.150
891.03.2116	-	1.160
891.03.2117	-	1.170
891.03.2118	-	1.180
891.03.2119	-	1.190
891.03.2120	-	1.200
891.03.2121	-	1.210
891.03.2122	-	1.220
891.03.2123	-	1.230
891.03.2124	-	1.240
891.03.2125	-	1.250

**06 UNITS**



**23 A** SHIM - C7 SOLENOID SPRING  
CALZO RESORTE SOLENOIDE C7

ROBIEL CODE	REFERENCE	THICKNESS(mm)
830.05.0150	-	1.500
830.05.0155	-	1.550
830.05.0160	-	1.600
830.05.0165	-	1.650
830.05.0170	-	1.700
830.05.0175	-	1.750
830.05.0180	-	1.800
830.05.0185	-	1.850
830.05.0190	-	1.900
830.05.0200	-	2.000
830.05.0210	-	2.100
830.05.0220	-	2.200
830.05.0230	-	2.300
830.05.0240	-	2.400
830.05.0250	-	2.500
830.05.0260	-	2.600

6 UNITS



**24** PIN - C7/C9 CONTROL VALVE  
TOP VALVULA CONTROL C7/C9

ROBIEL CODE	REFERENCE	THICKNESS(mm)
800.38.620	-	6.200
800.38.622	-	6.220
800.38.624	-	6.240
800.38.626	-	6.260
800.38.628	-	6.280
800.38.630	-	6.300
800.38.632	-	6.320
800.38.634	-	6.340
800.38.636	-	6.360
800.38.638	-	6.380
800.38.640	-	6.400
800.38.642	-	6.420
800.38.644	-	6.440
800.38.646	-	6.460
800.38.648	-	6.480
800.38.650	-	6.500
800.38.652	-	6.520
800.38.654	-	6.540
800.38.656	-	6.560
800.38.658	-	6.580
800.38.660	-	6.600

EMBALAGEM COM 06 PEÇA



**23 B** SHIM - C9 SOLENOID SPRING  
CALZO RESORTE SOLENOIDE C9

ROBIEL CODE	REFERENCE	THICKNESS(mm)
830.05.0270	-	2.700
830.05.0275	-	2.750
830.05.0280	-	2.800
830.05.0285	-	2.850
830.05.0290	-	2.900
830.05.0295	-	2.950
830.05.0300	-	3.000
830.05.0305	-	3.050
830.05.0310	-	3.100
830.05.0315	-	3.150
830.05.0320	-	3.200
830.05.0325	-	3.250
830.05.0330	-	3.300
830.05.0340	-	3.400
830.05.0350	-	3.500
830.05.0360	-	3.600
830.05.0370	-	3.700
830.05.0380	-	3.800

6 UNITS

**25** SHIM - C7/C9 SOLENOID - ADJUSTMENT  
CALZO AJUSTE SOLENOIDE C9/C7

ROBIEL CODE	REFERENTE	TICKNESS(mm)
822.53.2291	-	2.910
822.53.2293	-	2.930
822.53.2295	-	2.950
822.53.2297	-	2.970
822.53.2299	-	2.990
822.53.2301	-	3.010

6 UNITS



USE YOUR SMARTPHONE CAMERA TO SCAN THE QR CODE AND ACCESS MORE **TECHNICAL INFORMATION** FROM OUR PRODUCTS IN **ROBIEL** APP.

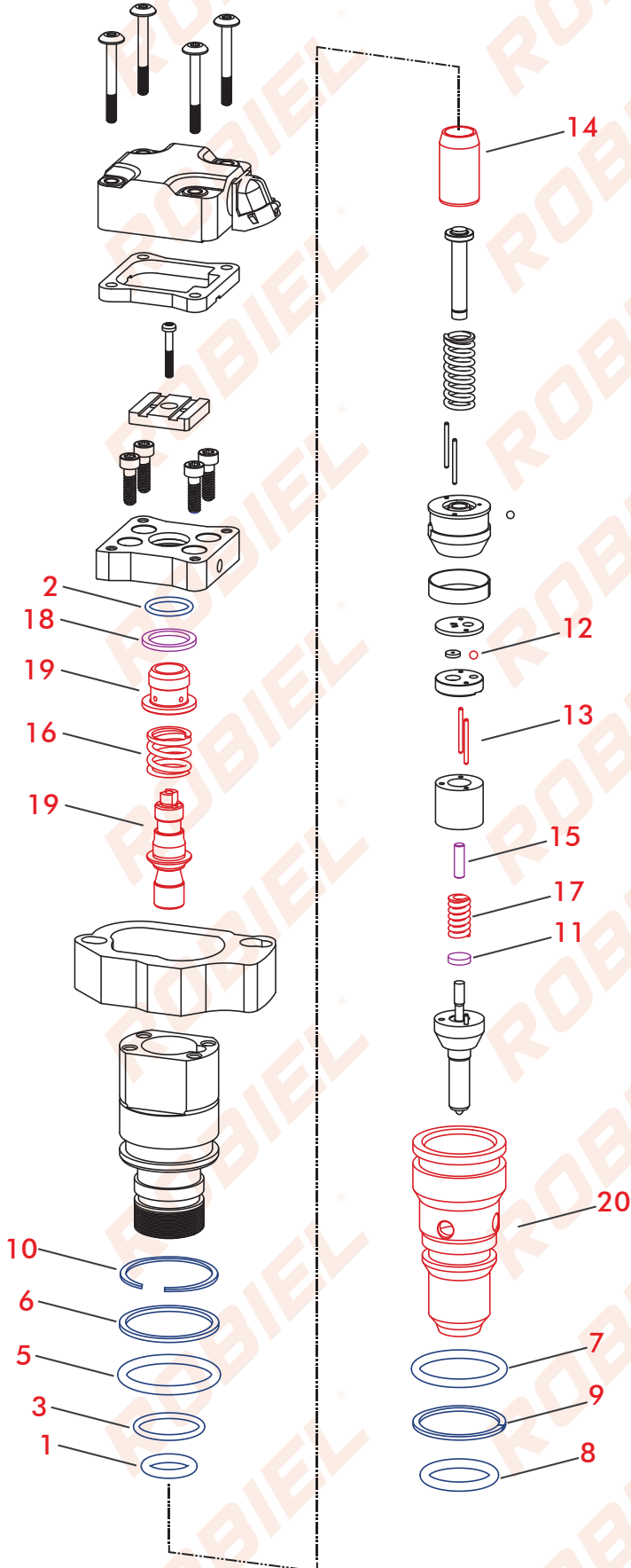
USE LA CÁMARA DE SU TELÉFONO PARA ESCANEAR EL CÓDIGO QR Y OBTENER MÁS **INFORMACIONES TÉCNICAS** SOBRE LOS PRODUCTOS EN NUESTRA APLICACIÓN **ROBIEL**.

**DOWNLOAD OUR NEW APP**  
DESCARGUE NUESTRA NUEVA APLICACIÓN



**CATERPILLAR HEUI 3126 B/E UNIT**  
UNIDAD CATERPILLAR HEUI 3126 B/E


D6



410.61.530		REPAIR PARTS - HEUI CAT 3126 B/E UNIT INTERNAL RINGS		
REFERENCE		DP-DPA0530		
Nº	ROBIEL CODE	REFERENCE	DESCRIPTION	PACK
1	421.01.735	-	O-ring - Anillo	01un.
2	421.01.618	-	O-ring - Anillo	01un.
3	421.02.326	-	O-ring - Anillo	01un.
4	421.01.726	-	O-ring - Anillo	01un.



410.61.539		REPAIR PARTS - HEUI CAT 3126 B/E UNIT EXTERNAL RINGS		
REFERENCE		DP-242-1539		
Nº	ROBIEL CODE	REFERENCE	DESCRIPTION	PACK
5	421.03.335	-	O-ring - Anillo	01un.
6	421.35.4018	-	Profile Ring - Anillo Perfil	01un.
7	421.03.135	148-2903	O-ring - Anillo	01un.
8	421.02.335	109-3207	O-ring - Anillo	01un.
9	424.32.3714	-	Profile Ring - Anillo Perfil	01un.
10	335.01.3809	-	Ring - Anillo	01un.



SPARE PARTS				
Repuestos				
Nº	ROBIEL CODE	REFERENCE	DESCRIPTION	PACK
12	190.50.19	-	Ball- C7   C9   3126 B/E Unit <span style="float: right;">Caterpillar Nozzle Nut C7</span> <small>Bolita Unidad C7   C9   3126 Porta Tobera Caterpillar C7</small>	12un
13	800.16.190	-	Pin - Guide 1.60x19mm - CAT C7   C9   3126 B/E Unit <small>Pin Guia 1.60x19mm Unidad Cat C7   C9   3126</small>	04un
14	310.01.13	-	Piston - Intensifier - Unit HEUI 3126 B/E - 17.50x26.70mm <small>Piston Intensificador Unidad HEUI 3126</small>	01un
16	225.01.65	-	Cat 3126 B/E poppet valve Spring <small>Resorte de la valvula Cat 3126</small>	06un
17	225.01.64	-	Cat 3126 B/E Nozzle Spring <small>Resorte de la Tobera Unidades Cat 3126</small>	06un
19	340.17.00	-	POPPET VALVE - CAT 3126 / 3116 / NAVISTAR DT466E HEUI UNIT <small>VALVULA POPPET HEUI CAT 3126 / 3116 / NAVISTAR DT466E</small>	01un
20	315.06.69	-	Caterpillar Nozzle Nut 3126 <small>Porta Tobera Caterpillar 3126</small>	01un



**11**

**SHIM - CATERPILLAR ELECTRONIC UNIT NOZZLE**  
**CALZO TOBERA UNIDAD CATERPILLAR ELECTRONICA**

Ø 8.90



ROBIEL CODE	REFERENCE	THICKNESS(mm)
800.09.23	-	2.30
800.09.24	-	2.40
800.09.245	-	2.45
800.09.25	-	2.50
800.09.255	-	2.55
800.09.26	-	2.60
800.09.265	-	2.65
800.09.27	-	2.70
800.09.275	-	2.75
800.09.28	-	2.80
800.09.285	-	2.85
800.09.29	-	2.90

06 UNITS

**15**

**NOZZLE PIN 3126 HEUI | NAVISTAR DT466E UNITS**

**PIN DE RESTRICIÓN DE LA TOBERA UNIDADE**  
**HEUI 3126 | NAVISTAR DT466E**



ROBIEL CODE	REFERENCE	THICKNESS(mm)
800.04.1360	-	13.60
800.04.1362	-	13.62
800.04.1364	-	13.64
800.04.1366	-	13.66
800.04.1368	-	13.68
800.04.1370	-	13.70
800.04.1372	-	13.72
800.04.1374	-	13.74
800.04.1376	-	13.76
800.04.1378	-	13.78
800.04.1380	-	13.80

06 UNITS

**13**

**CAT 3126 POPPET VALVE SHIM**  
**CALZO DE LA VALVULA POPPET CAT 3126**

ROBIEL CODE	REFERENCE	THICKNESS(mm)
816.52.2190	-	1.90
816.52.2192	-	1.92
816.52.2194	-	1.94
816.52.2196	-	1.96
816.52.2198	-	1.98
816.52.2200	-	2.00
816.52.2202	-	2.02
816.52.2204	-	2.04
816.52.2206	-	2.06
816.52.2208	-	2.08
816.52.2210	-	2.10

EMBALAGEM COM 06 PEÇAS



**324.19.016**



POLISHING TOOL TO  
 CAT 3126 VALVE SEAT  
 HERRAMIENTA PARA EL ACABADO  
 DEL ASIENTO - VALVULA CAT 3126



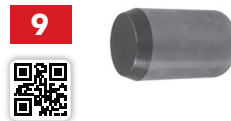
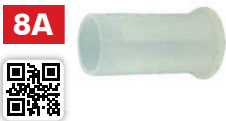




410.61.6492		REPAIR PARTS - HEUI NAVISTAR DT466E UNIT		
		REPARACION UNIDAD HEUI NAVISTAR DT466E		
REFERENCE		1833564C92   DP-DPA0008		
Nº	ROBIEL CODE	REFERENCE	DESCRIPTION	PACK
1	421.03.531	-	O-ring - Anillo	01un.
2	421.02.336	-	O-ring - Anillo	01un.
3	420.34.4019	-	Profile Ring - Anillo Perfil	01un.
4	421.32.3850	-	Profile Ring - Anillo Perfil	01un.
5	600.02.09	-	Washer - Arandela	01un.
6	335.01.3809	-	Ring - Anillo	01un.

SPARE PARTS				
Repuestos				
Nº	ROBIEL CODE	REFERENCE	DESCRIPTION	PACK
8A	220.03.08	F 00R J02 537   F 00R J03 561 6.000.900.262	Protective Cap - Injectors / Units Nozzle - 7.00mm <i>Tapa Protectora p/ Tobera Inyectores / Unidades - 7.00mm</i>	01kit
8B	220.03.09	F 00H 410 849   F 002 C88 080 6.000.900.076	Protective Cap - Injectors / Units Nozzle - 9.00mm <i>Tapa Protectora p/ Tobera Inyectores / Unidades - 9.00mm</i>	01kit
9	310.01.12	-	Piston - Intensifier - Unit HEUI Navistar - 16.00X29.10mm <i>Piston Intensificador Unidad HEUI Navistar</i>	01un
19	340.17.00	-	POPPET VALVE - CAT 3126 / 3116 / NAVISTAR DT466E HEUI UNIT <i>VALVULA POPPET HEUI CAT 3126 / 3116 / NAVISTAR DT466E</i>	01kit



7	SHIM - CATERPILLAR ELECTRONIC UNIT NOZZLE		
	CALZO TOBERA UNIDAD CATERPILLAR ELECTRONICA		
			Ø 8.90
	ROBIEL CODE	REFERENCE	THICKNESS(mm)
	800.09.23	-	2.30
	800.09.24	-	2.40
	800.09.245	-	2.45
	800.09.25	-	2.50
	800.09.255	-	2.55
	800.09.26	-	2.60
	800.09.265	-	2.65
	800.09.27	-	2.70
	800.09.275	-	2.75
	800.09.28	-	2.80
	800.09.285	-	2.85
	800.09.29	-	2.90

**06 UNITS**

**18**

**CAT 3126 POPPET VALVE SHIM  
CALZO DE LA VALVULA POPPET CAT 3126**



ROBIEL CODE	REFERENCE	THICKNESS(mm)
816.52.2190	-	1.90
816.52.2192	-	1.92
816.52.2194	-	1.94
816.52.2196	-	1.96
816.52.2198	-	1.98
816.52.2200	-	2.00
816.52.2202	-	2.02
816.52.2204	-	2.04
816.52.2206	-	2.06
816.52.2208	-	2.08
816.52.2210	-	2.10

**06 UNITS**

**10**

**NOZZLE PIN 3126 HEUI | NAVISTAR DT466E UNITS  
PIN DE RESTRICIÓN DE LA TOBERA UNIDADE  
HEUI 3126 | NAVISTAR DT466E**



ROBIEL CODE	REFERENCE	THICKNESS(mm)
800.04.1360	-	13.60
800.04.1362	-	13.62
800.04.1364	-	13.64
800.04.1366	-	13.66
800.04.1368	-	13.68
800.04.1370	-	13.70
800.04.1372	-	13.72
800.04.1374	-	13.74
800.04.1376	-	13.76
800.04.1378	-	13.78
800.04.1380	-	13.80

**06 UNITS**



**323.01.3241**

ROTATING VISE W /  
INDEXER PIN  
MORSA GIRATORIA CON PIN  
INDEX



**324.15.01**

INJECTORS AND UNITS  
REPAIR BRACKET  
SOPORTE PARA REPARACIÓN  
DE INYECTORES Y UNIDADES



**323.50.261**

TOOL SET - CAT C7 / C9 /  
NAVISTAR UNIT  
JUEGO HERRAMIENTAS UNID CAT  
C7 / C9 / NAVISTAR



**324.19.016**

POLISHING TOOL TO  
CAT 3126 VALVE SEAT  
HERRAMIENTA PARA EL ACABADO  
DEL ASIENTO - VALVULA CAT 3126



USE YOUR SMARTPHONE CAMERA TO SCAN THE QR CODE AND ACCESS MORE TECHNICAL INFORMATION FROM OUR PRODUCTS IN **ROBIEL** APP.

USE LA CÁMARA DE SU TELÉFONO PARA ESCANEAR EL CÓDIGO QR Y OBTENER MÁS INFORMACIONES TÉCNICAS SOBRE LOS PRODUCTOS EN NUESTRA APLICACIÓN **ROBIEL**.

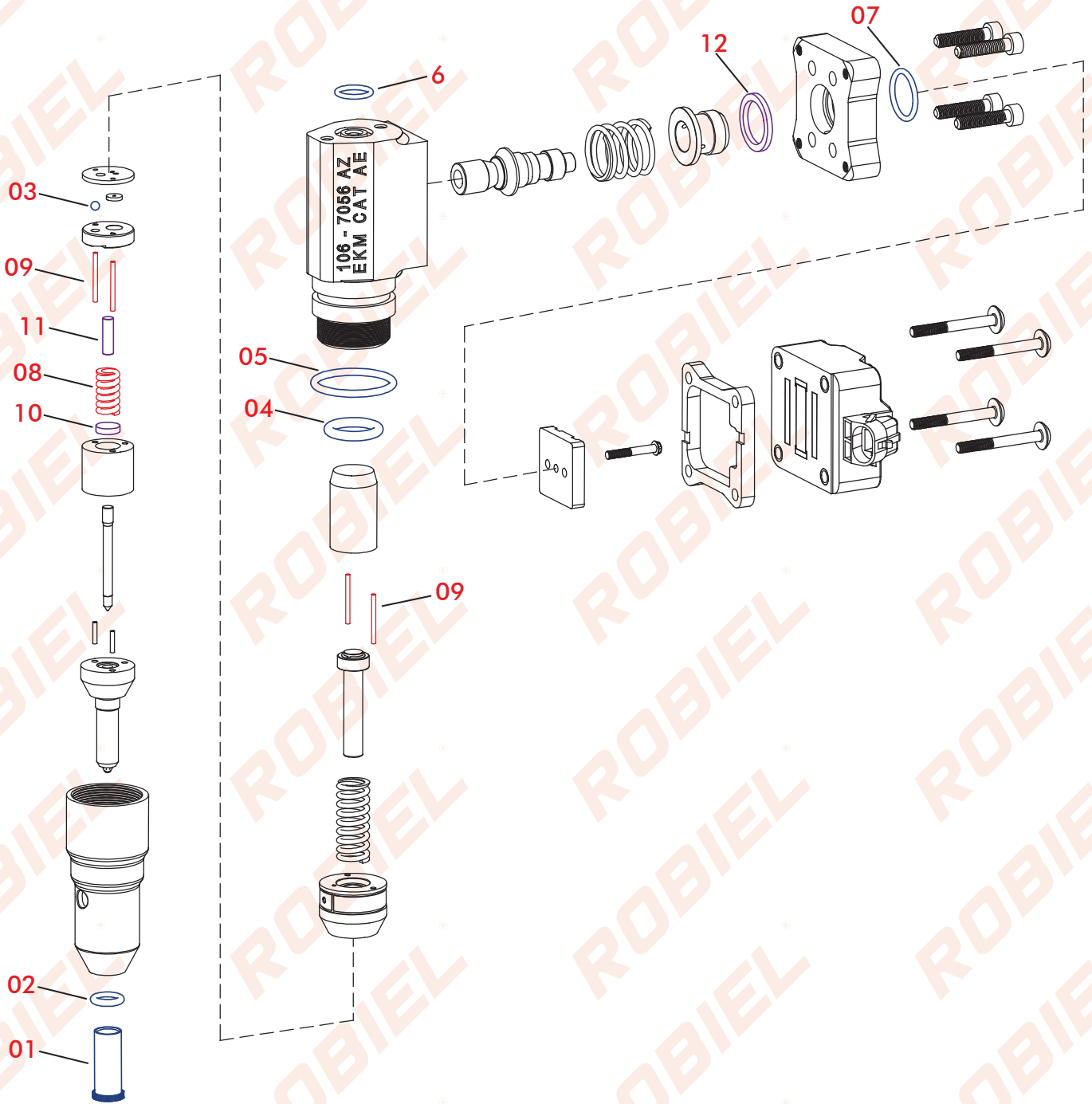
**DOWNLOAD OUR NEW APP**  
DESCARGUE NUESTRA NUEVA APLICACIÓN



**CATERPILLAR HEUI 3126A UNIT**  
UNIDAD CATERPILLAR HEUI 3126

GMC

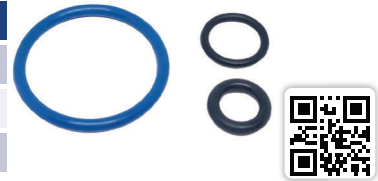
UNIT CODE  
091E8B



410.60.116		REPAIR SET - HEUI CATERPILLAR 3126A UNIT		
REFERENCE		REPARACION UNID CATERPILLAR 3126A		
Nº	ROBIEL CODE	REFERENCE	DESCRIPTION	PACK
1	220.03.08	-	Protective Cap - Injector Nozzle Tapa Protectora p/ Tobera Iny	01pç.
2	421.00.725	125 8274	Ring - Anillo	01pç.
3	190.50.19	-	Ball - Bolilla de Valvula	01pç.
4	421.01.735	-	Ring - Anillo	01pç.
5	421.02.726	114 8718	Ring - Anillo	01pç.
6	421.01.118	113 6303	Ring - Anillo	01pç.
7	421.01.618	-	Ring - Anillo	01pç.



420.22.001		REPAIR PARTS - HEUI CATERPILLAR 3116A UNIT		
REFERENCE		REPARACION UNIDAD CATERPILLAR 3116		
Nº	ROBIEL CODE	REFERENCE	DESCRIPTION	PACK
6	421.01.118	113 6303	Ring - Anillo	01un
2	421.00.725	125 8274	Ring - Anillo	01un
5	421.02.726	114 8718	Ring - Anillo	01un



SPARE PARTS				
REPUESTOS				
Nº	ROBIEL CODE	REFERENCE	DESCRIPTION	PACK
3	190.50.19	-	CAT C7/C9/3126A UNIT BALL - BOLILLA DE VALVULA UNIDAD CAT C7 / C9 / 3126A	12pç.
8	225.01.64	-	CAT 3126A NOZZLE SPRING - RESORTE DE LA TOBERA UNID CAT 3126A	06pç.
9	800.16.190	-	CAT C7/C9/3126A GUIDE PIN 1.6X19MM - PIN GUIA 1.6X19MM CAT C7/C9/3126A	06pç.
19	340.17.00	-	POPPET VALVE - CAT 3126 / 3116 / NAVISTAR DT466E HEUI UNIT VALVULA POPPET HEUI CAT 3126 / 3116 / NAVISTAR DT466E	01un
20	315.06.72	-	Caterpillar Nozzle Nut 3126A Porta Tobera Caterpillar 3126	01un



**10**

**SHIM - CATERPILLAR ELECTRONIC UNIT NOZZLE**  
**CALZO TOBERA UNIDAD CATERPILLAR ELECTRONICA**



Ø 8.90

ROBIEL CODE	REFERENCE	THICKNESS(mm)
800.09.23	-	2.30
800.09.24	-	2.40
800.09.245	-	2.45
800.09.25	-	2.50
800.09.255	-	2.55
800.09.26	-	2.60
800.09.265	-	2.65
800.09.27	-	2.70
800.09.275	-	2.75
800.09.28	-	2.80
800.09.285	-	2.85
800.09.29	-	2.90

06 UNITS

**11**

**NOZZLE PIN 3126 HEUI UNIT**  
**PIN DE RESTRICIÓN DE LA TOBERA UNIDADE HEUI 3126**



ROBIEL CODE	REFERENCE	THICKNESS(mm)
800.04.1360	-	13.60
800.04.1362	-	13.62
800.04.1364	-	13.64
800.04.1366	-	13.66
800.04.1368	-	13.68
800.04.1370	-	13.70
800.04.1372	-	13.72
800.04.1374	-	13.74
800.04.1376	-	13.76
800.04.1378	-	13.78
800.04.1380	-	13.80

06 UNITS

**12**

**CAT 3126A POPPET VALVE SHIM**  
**CALZO DE LA VALVULA POPPET CAT 3126A**



ROBIEL CODE	REFERENCE	THICKNESS(mm)
816.52.2190	-	1.90
816.52.2192	-	1.92
816.52.2194	-	1.94
816.52.2196	-	1.96
816.52.2198	-	1.98
816.52.2200	-	2.00
816.52.2202	-	2.02
816.52.2204	-	2.04
816.52.2206	-	2.06
816.52.2208	-	2.08
816.52.2210	-	2.10

06 UNITS



**324.19.016**

POLISHING TOOL TO  
 CAT 3126 VALVE SEAT  
 HERRAMIENTA PARA EL ACABADO  
 DEL ASIENTO - VALVULA CAT 3126



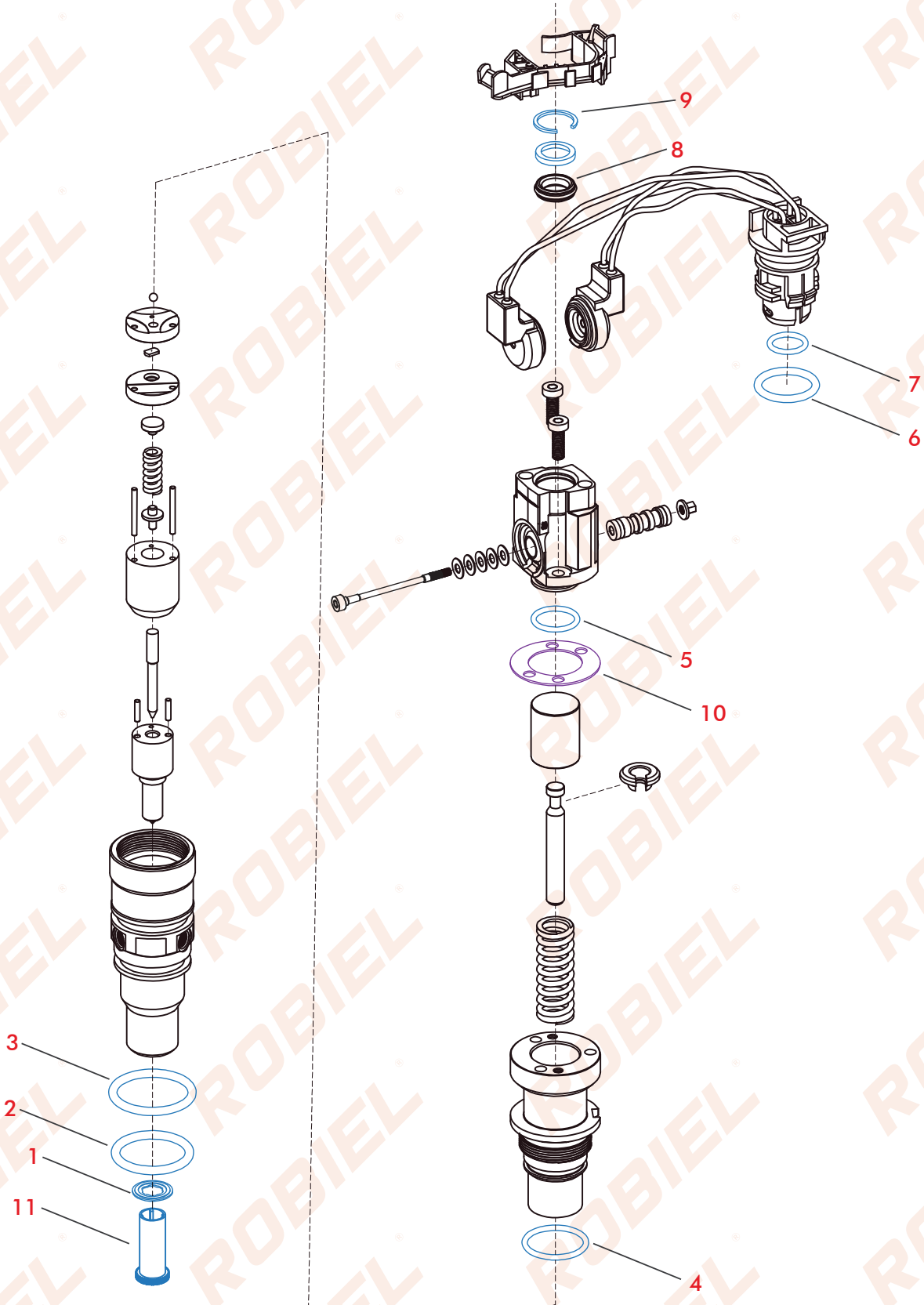
USE YOUR SMARTPHONE CAMERA TO SCAN THE QR CODE AND ACCESS MORE **TECHNICAL INFORMATION** FROM OUR PRODUCTS IN **ROBIEL** APP.

USE LA CÁMARA DE SU TELÉFONO PARA ESCANEAR EL **CÓDIGO QR** Y OBTENER MÁS **INFORMACIONES TÉCNICAS** SOBRE LOS PRODUCTOS EN NUESTRA APLICACIÓN **ROBIEL**.

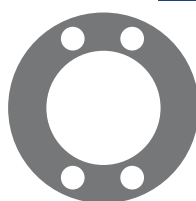
**DOWNLOAD OUR NEW APP**  
DESCARGUE NUESTRA NUEVA APLICACIÓN



**NAVISTAR G2.8 UNIT INJECTOR**



410.31.002		REPAIR PARTS - G2.8 HEUI UNIT KIT DE REPARACIÓN HEUI G2.8		
APLICAÇÕES		Ford Powerstroke 6.0 / 4.5 - G2.8		
Nº	ROBIEL CODE	REFERENCE	DESCRIPTION	PACK
1	600.02.11	-	Washer - Arandela	01 pç.
2	421.22.230	-	Ring - Anillo	01 pç.
3	421.02.526	-	Ring - Anillo	01 pç.
4	421.01.717	-	Ring - Anillo	01 pç.
5	421.14.178	-	Ring - Anillo	01 pç.
6	421.18.262	-	Ring - Anillo	01 pç.
7	421.01.116	-	Ring - Anillo	01 pç.
8	421.09.154	-	Anel Perfil	01 pç.
9	115.01.15	-	Anel para eixo	01 pç.
11	220.03.08	-	Protective Cap - Injector Nozzle Tapa Protectora p/ Tobera Iny	01 pç.


**10**
**SHIM - NAVISTAR G2.8 COIL UNIT**  
 CALZO BOBINA UNIDAD NAVISTAR G8


ROBIEL CODE	REFERENCE	THICKNESS(mm)
819.31.6050	-	0.50
819.31.6060	-	0.60
819.31.6070	-	0.70
819.31.6080	-	0.80
819.31.6090	-	0.90
819.31.6100	-	1.00

**06 UNITS**



USE YOUR SMARTPHONE CAMERA TO SCAN THE QR CODE AND ACCESS MORE TECHNICAL INFORMATION FROM OUR PRODUCTS IN **ROBIEL®** APP.

USE LA CÁMARA DE SU TELÉFONO PARA ESCANEAR EL CÓDIGO QR Y OBTENER MÁS INFORMACIONES TÉCNICAS SOBRE LOS PRODUCTOS EN NUESTRA APLICACIÓN **ROBIEL®**.

**DOWNLOAD OUR NEW APP**  
DESCARGUE NUESTRA NUEVA APLICACIÓN



**NAVISTAR G2.9 UNIT INJECTOR**

**UNIT CODES**

4062568

4062569

4068665

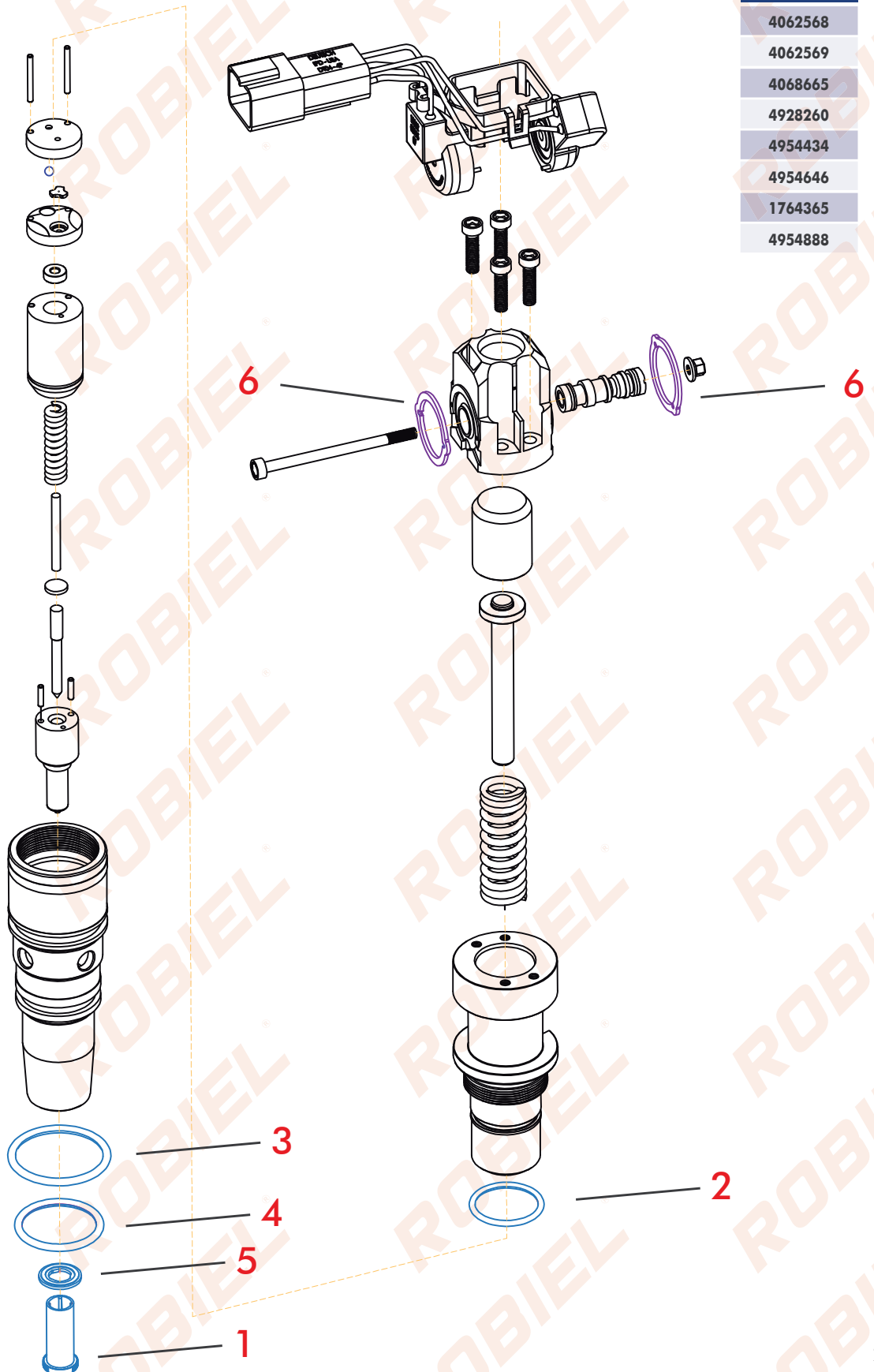
4928260

4954434



4954646

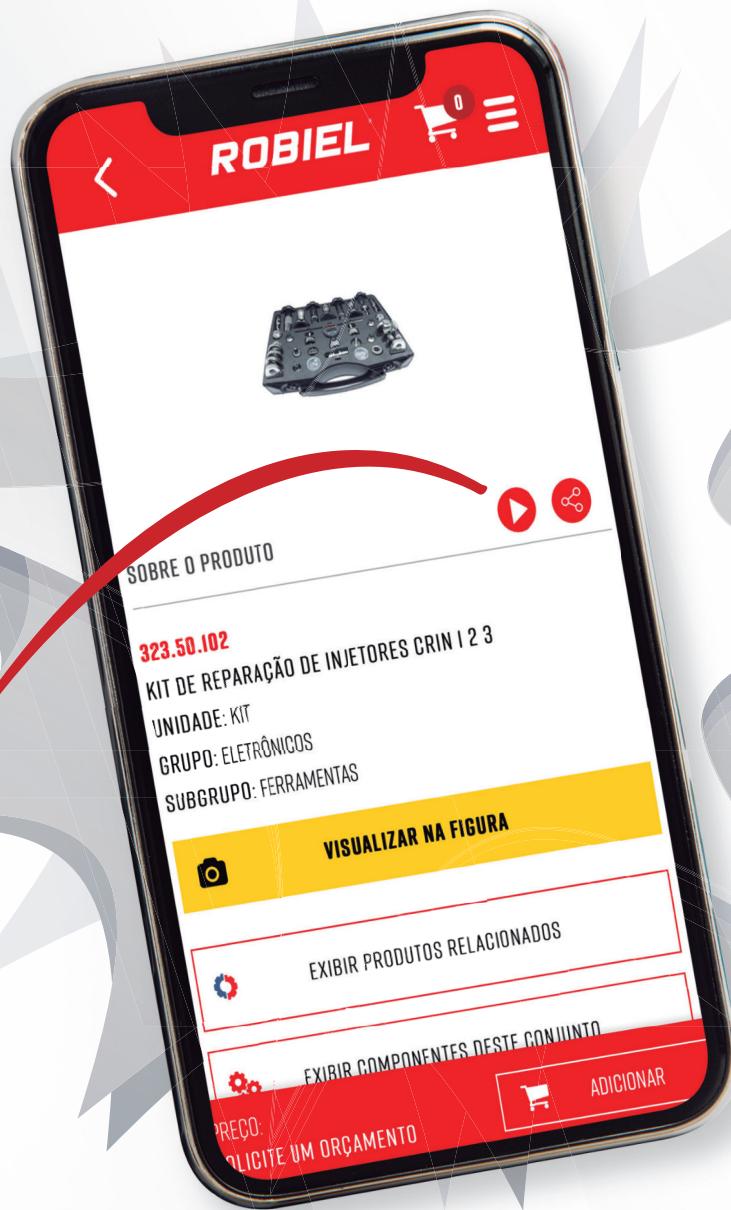
1764365

4954888



<b>410.13.370</b>		<b>EXTERNAL REPAIR KIT G2.9</b> KIT DE REPARACION G2.9		
APLICAÇÕES		VW 19/25/31-370 Constellation G2.9		
Nº	ROBIEL CODE	DESCRIPTION	PACK	
1	220.03.08	PROTECTIVE CAP - INJECTOR NOZZLE TAPA PROTECTORA P/ TOBERA INY	01 pç.	
2	421.02.020	O-RING BLACK 20.00X2.00 ANILLO ORING NEGRO 20.00X2.00	01 pç.	
3	421.02.825	O-RING BLACK 28.50X2.50MM ANILLO ORING NEGRO 28.50X2.50MM	01 pç.	
4	421.24.25	O-RING BROWN 75 HSA 24.00 X 2.50MM ANILLO ORING MARRÓN 75 HSA 24.00 X 2.50MM	01 pç.	
5	600.02.12	WASHER STAINLESS STEEL 7.00X14.00X1.25 MM ARANDELA INOX 7.00X14.00X1.25 MM	01 pç.	

<b>6</b>	<b>SHIM - NAVISTAR G2.9 COIL UNIT</b> CALZO BOBINA UNIDAD NAVISTAR G2.9			
	<b>ROBIEL CODE</b>	<b>REFERENCE</b>	<b>THICKNESS(mm)</b>	
	820.25.2110	-	1.10	
	820.25.2112	-	1.12	
	820.25.2114	-	1.14	
	820.25.2116	-	1.16	
	820.25.2118	-	1.18	
	820.25.2120	-	1.20	
	820.25.2122	-	1.22	
	820.25.2124	-	1.24	
	820.25.2126	-	1.26	
	820.25.2128	-	1.28	
	820.25.2130	-	1.30	
<b>06 UNITS</b>				



GET ACCESS TO  
PRODUCTS AND  
TOOLS **VIDEOS!!**



**DOWNLOAD NOW!**



WWW.ROBIEL.COM

# **ROBIEL®**

## **GEAR PUMPS** **BOMBAS DE ALIMENTACIÓN**

MBB 712  
MBB 1933  
MBB 1938  
MBB Series 900  
Scania  
Volvo D12C  
Volvo D13

USE YOUR SMARTPHONE CAMERA TO SCAN THE QR CODE AND ACCESS MORE TECHNICAL INFORMATION FROM OUR PRODUCTS IN **ROBIEL** APP.

USE LA CÁMARA DE SU TELÉFONO PARA ESCANEAR EL CÓDIGO QR Y OBTENER MÁS INFORMACIONES TÉCNICAS SOBRE LOS PRODUCTOS EN NUESTRA APLICACIÓN **ROBIEL**.

**DOWNLOAD OUR NEW APP**  
DESCARGUE NUESTRA NUEVA APLICACIÓN



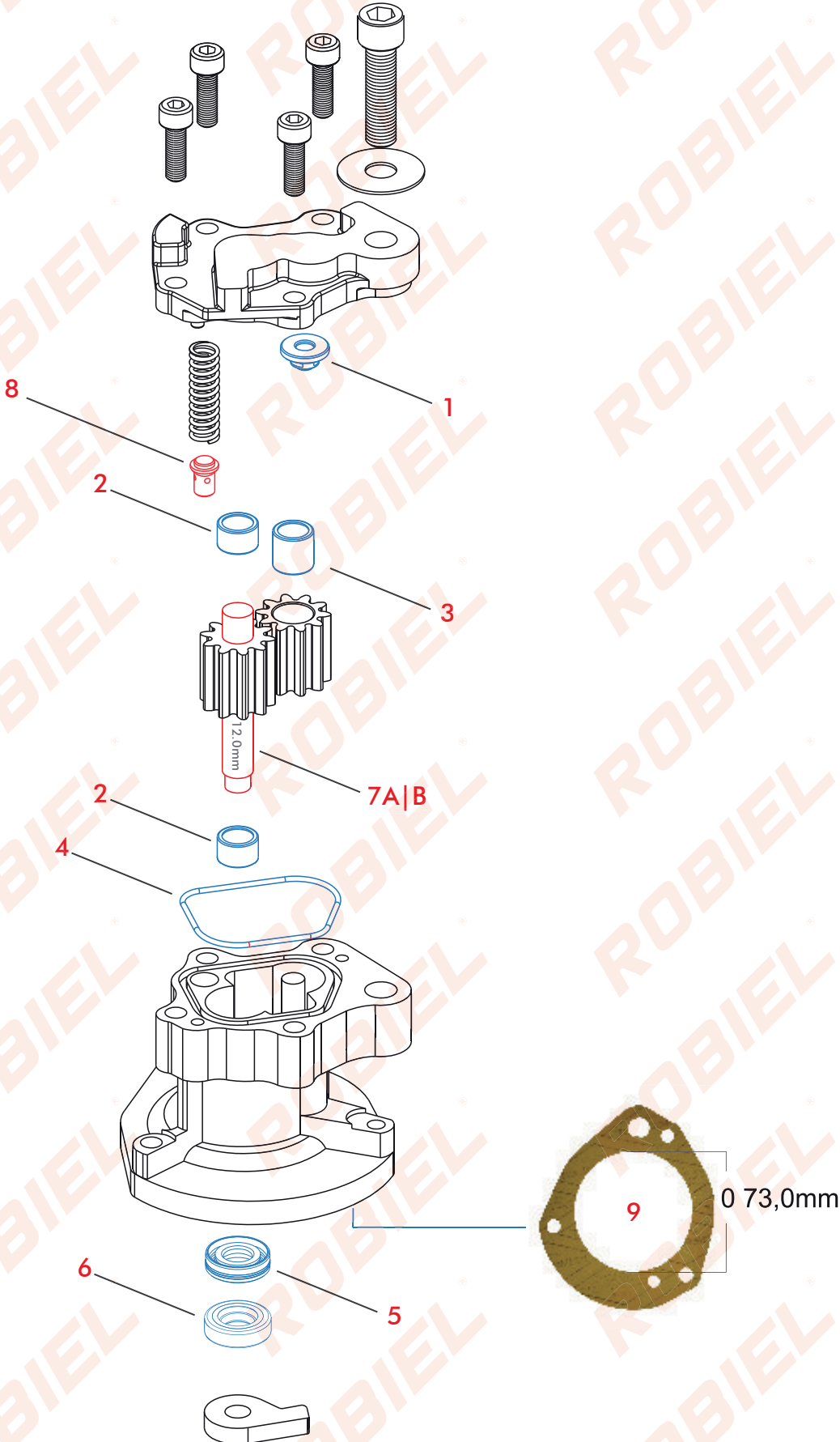
## MBB 712 GEAR PUMP BOMBA DE ALIMENTACIÓN MBB 712

### PUMPS CODES

MBB 003 091 74 01

Shaft Ø12.00mm A 004 091 05 01

Shaft Ø12.00mm with duct A 004 091 14 01



**410.00.24 REPAIR PARTS - MBB 712C GEAR PUMP**  
 REPARACION BBA ALIMENTACION MBB 712C

REFERENCE MBB 2324K | MBB2326C | OM904LA | PM906LA

Nº	ROBIEL CODE	REFERENCE	DESCRIPTION	PACK
1	165.06.01J	-	Non-Return Valve- <i>Valvula de Retencion</i>	01un.
2	321.00.00	-	Bearing - <i>Rodamiento</i>	02un.
3	321.00.01	-	Bearing - <i>Rodamiento</i>	01un.
4	421.05.820	-	O-ring - <i>Anillo Oring</i>	01un.
5	430.01.225	-	Retainer - <i>Reten</i>	01un.
6	430.01.226	-	Retainer - <i>Reten</i>	01un.



**SPARE PARTS**  
*Repuestos*

Nº	ROBIEL CODE	REFERENCE	DESCRIPTION	PACK
1	165.06.01J	-	Non-Return Valve - 19.00mm <i>Valvula de Retencion - 19.00mm</i>	05un
5	430.01.225	-	Retainer - MBB 712C Gear Pump <i>Reten BBA Alimentación MBB 712C</i>	01un
6	430.01.226	-	Retainer - MBB 712C Gear Pump <i>Reten BBA Alimentación MBB 712C</i>	01un
7A	190.03.13	-	Shaft - MBB 712C Gear Pump <i>Eje de la BBA Alimentación MBB 712C</i>	01un
7B	190.03.17	-	Shaft - MBB 712C Gear Pump <i>Eje de la BBA Alimentación MBB 712C</i>	01un
8	340.03.35	-	Relief Valve - MBB 712C / CP2 Gear Pump <i>Valvula Seguridad BBA Alimentación MBB 712C / CP2</i>	01un
9	450.13.45	A 906 091 07 80	Gasket - MBB 712C / 1933 Pump Base <i>Empaquetadura Base BBA Comb MBB 712C / 1933</i>	01un



**323.01.531**  
 Bearing Pulling Attachment - 1933/1938/712C Gear Pump  
*Herramienta de Sacar Rodamiento BBA Alimentación - 1933/1938/712C*

**323.01.69**  
 Pulling Attachment - SCA 712C Berring  
*Herramienta de Sacar Rodamiento SCA 712C*

**323.01.70**  
 Pulling Attachment - SCA 1938 Berring  
*Herramienta de Sacar Rodamiento SCA 1938*

**323.01.95**  
 Pulling Attachment MBB 1938/Serie 900 - Berring  
*Herramienta de Sacar Rodamiento MBB 1933/Serie 900*  
 Pump: A 457 091 05 01

**324.19.009**  
 Grinding Tool to 712C Pump Valve seat  
*Herramienta Rectificar Asiento Valva BBA 712C*

**324.20.009**  
 Polishing Tool to 712C Pump Valve seat  
*Herramienta Acabamiento Asiento Valva BBA 712C*

**323.02.13**  
 Cutting Oil  
*Aceite Corte*

USE YOUR SMARTPHONE CAMERA TO SCAN THE QR CODE AND ACCESS MORE TECHNICAL INFORMATION FROM OUR PRODUCTS IN **ROBIEL** APP.

USE LA CÁMARA DE SU TELÉFONO PARA ESCANEAR EL CÓDIGO QR Y OBTENER MÁS INFORMACIONES TÉCNICAS SOBRE LOS PRODUCTOS EN NUESTRA APLICACIÓN **ROBIEL**.

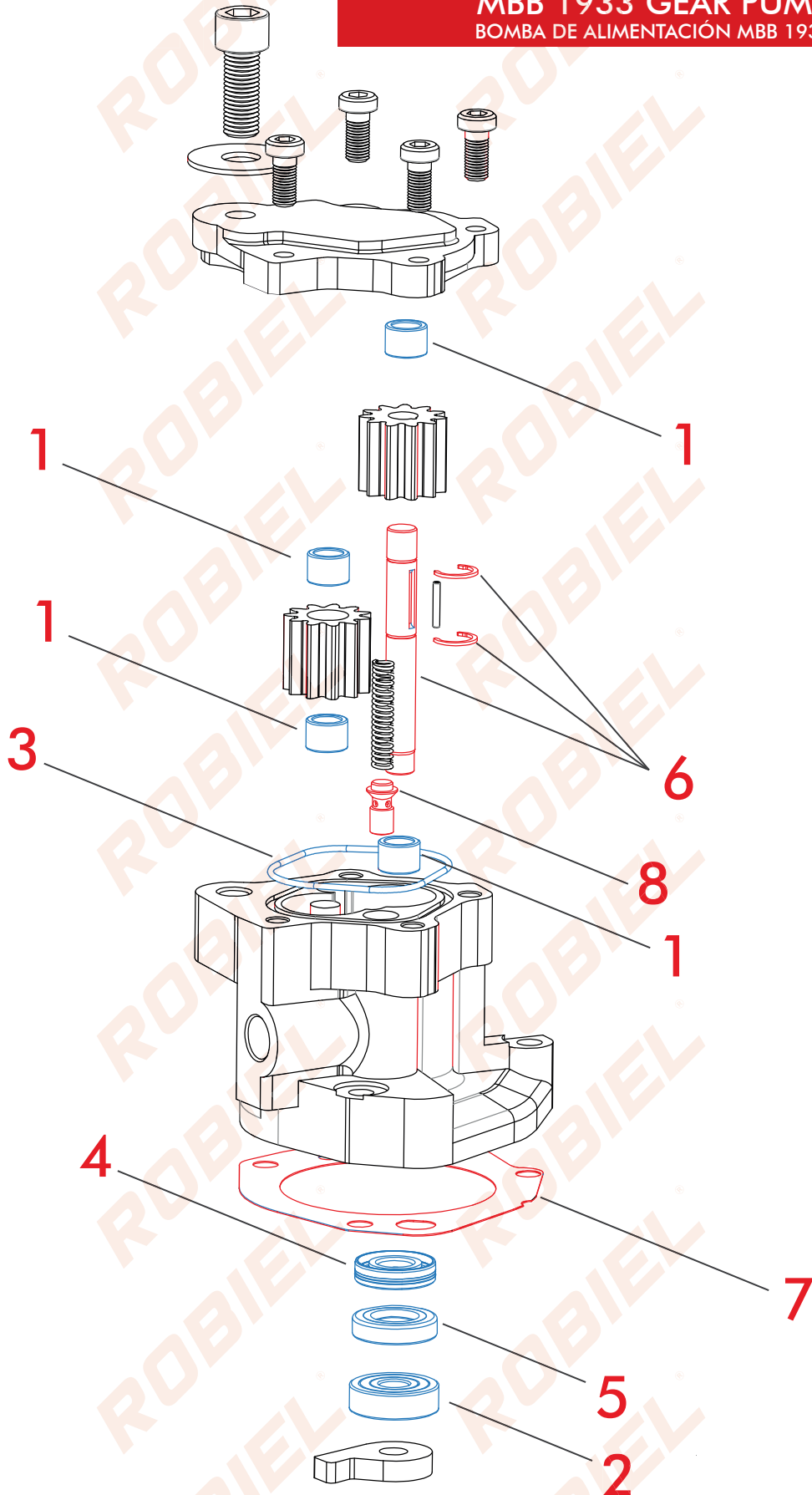
**DOWNLOAD OUR NEW APP**  
DESCARGUE NUESTRA NUEVA APLICACIÓN



## MBB 1933 GEAR PUMP BOMBA DE ALIMENTACIÓN MBB 1933

PUMP CODE

A 457 091 05 01



**410.05.01 REPAIR PARTS - MBB 1933 GEAR PUMP**  
 REPARACION BBA ALIMENTACION MBB 1933

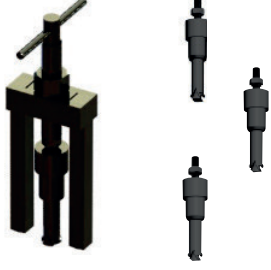
REFERENCE				
Nº	ROBIEL CODE	REFERENCE	DESCRIPTION	PACK
1	321.00.04	-	Bearing - Rodamiento	04un.
2	321.00.06	-	Bearing - Rodamiento	01un.
3	421.05.520	-	O-ring - Anillo Oring	01un.
4	430.02.510	-	Retainer - Reten	01un.
5	430.02.710	-	Retainer - Reten	01un.




**SPARE PARTS**  
 Repuestos

Nº	ROBIEL CODE	REFERENCE	DESCRIPTION	PACK
6	190.03.121	-	Shaft - MBB 1933 Gear Pump Eje de la BBA Alimentación MBB 1933 10.0mm	01un
7	450.13.45	A 906 091 07 80	Gasket - MBB 712C / 1933 Pump Base Empaquetadura Base BBA Comb MBB 712C / 1933	01un
8	340.03.39	-	Safety Valve - MBB 1933 / Caterpillar - Gear Pump Valvula Seguridad BBA Alimentación MBB 1933 / Caterpillar	01un







**323.01.531**  
 Bearing Pulling Attachment - 1933/1938/712C Gear Pump  
 Herramienta de Sacar Rodamiento BBA Alimentación - 1933/1938/712C



**323.01.69**  
 Pulling Attachment - SCA 712C Berring  
 Herramienta de Sacar Rodamiento SCA 712C



**323.01.70**  
 Pulling Attachment - SCA 1938 Berring  
 Herramienta de Sacar Rodamiento SCA 1938



**323.01.95**  
 Pulling Attachment MBB 1938/Serie 900 - Berring  
 Herramienta de Sacar Rodamiento MBB 1933/Serie 900  
 Pump: A 457 091 05 01



**323.02.13**  
 Cutting Oil  
 Aceite Corte



**324.19.006**  
 Grinding Tool to MBB 1933 Pump Seat  
 Herramienta Rectificar Asiento BBA MBB 1933



**324.20.006**  
 Polishing Tool to MBB 1933 Pump Seat  
 Herramienta Acabamiento Asiento BBA MBB 1933



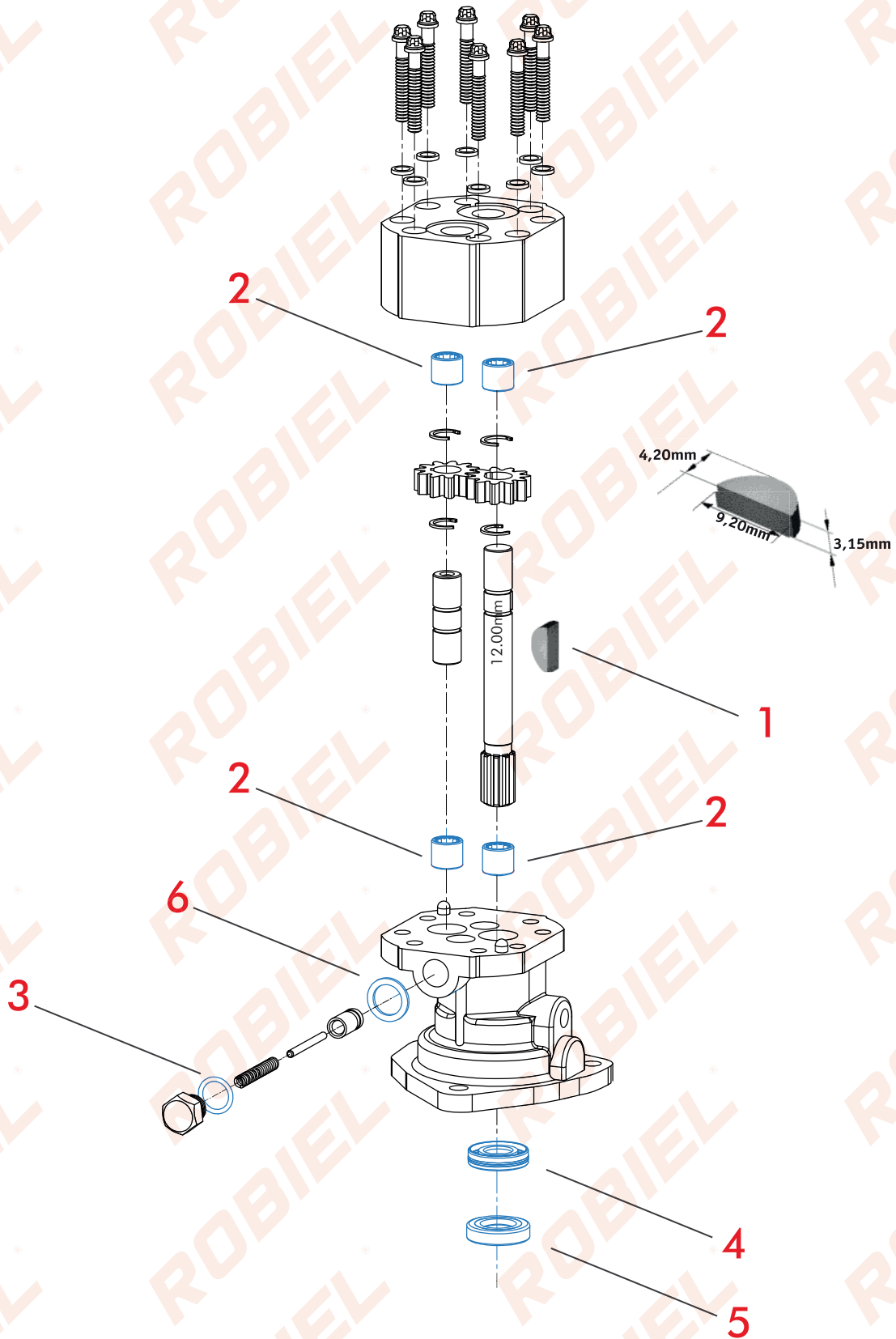
USE YOUR SMARTPHONE CAMERA TO SCAN THE QR CODE AND ACCESS MORE TECHNICAL INFORMATION FROM OUR PRODUCTS IN **ROBIEL®** APP.

USE LA CÁMARA DE SU TELÉFONO PARA ESCANEAR EL CÓDIGO QR Y OBTENER MÁS INFORMACIONES TÉCNICAS SOBRE LOS PRODUCTOS EN NUESTRA APLICACIÓN **ROBIEL®**.



**DOWNLOAD OUR NEW APP**  
DESCARGUE NUESTRA NUEVA APLICACIÓN



## MBB 1938 GEAR PUMP BOMBA DE ALIMENTACIÓN MBB 1938

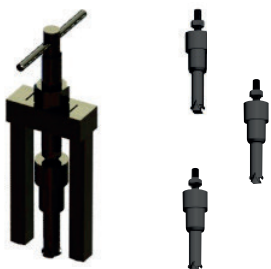


410.00.25		REPAIR PARTS - MBB 1938 GEAR PUMP		
		REPARACION BBA ALIMENTACION MBB 1938		
REFERENCE				
Nº	ROBIEL CODE	REFERENCE	DESCRIPTION	PACK
1	156.01.10	-	Fitted Key - Llaveta	01un.
2	321.00.02	-	Bearing - Rodamiento	04un.
3	420.01.020	-	O-ring - Anillo Oring	01un.
4	430.01.227	-	Retainer - Reten	01un.
5	430.01.228	-	Retainer - Reten	01un.
6	514.20.15	237976	Washer - Arandela	01un.






SPARE PARTS				
Repuestos				
Nº	ROBIEL CODE	REFERENCE	DESCRIPTION	PACK
1	156.01.10	-	Fitted Key - MBB 1938 Gear Pump Shaft <i>Llaveta del Eje de la BBA Alimentación MBB 1938</i>	10un.
3	420.01.020	-	O-Ring MBB 1938 - 10.00 x 2.00mm <i>Anillo oring MBB 1938 - 10.00 x 2.00mm</i>	10un.
4	430.01.227	-	Retainer - MBB 1938 Gear Pump <i>Reten BBA Alimentación MBB 1938</i>	01un.
5	430.01.228	-	Retainer - MBB 1938 Gear Pump <i>Reten BBA Alimentación MBB 1938</i>	01un.
6	514.20.15	-	Washer - Aluminum 14.00 x 20.00 x 1.50mm <i>Arandela de Aluminio 14.00 x 20.00 x 1.50mm</i>	01un.







**323.01.531**  
Bearing Pulling Attachment - 1933/1938/712C Gear Pump  
*Herramienta de Sacar Rodamiento BBA Alimentación - 1933/1938/712C*







**323.01.69**  
Pulling Attachment - SCA 712C Berring  
*Herramienta de Sacar Rodamiento SCA 712C*






**323.01.70**  
Pulling Attachment - SCA 1938 Berring  
*Herramienta de Sacar Rodamiento SCA 1938*





**323.01.95**  
Pulling Attachment MBB 1938/Serie 900 - Berring  
*Herramienta de Sacar Rodamiento MBB 1933/Serie 900*  
Pump: A 457 091 05 01



USE YOUR SMARTPHONE CAMERA TO SCAN THE QR CODE AND ACCESS MORE TECHNICAL INFORMATION FROM OUR PRODUCTS IN **ROBIEL**' APP.

USE LA CÁMARA DE SU TELÉFONO PARA ESCANEAR EL CÓDIGO QR Y OBTENER MÁS INFORMACIONES TÉCNICAS SOBRE LOS PRODUCTOS EN NUESTRA APLICACIÓN **ROBIEL**.

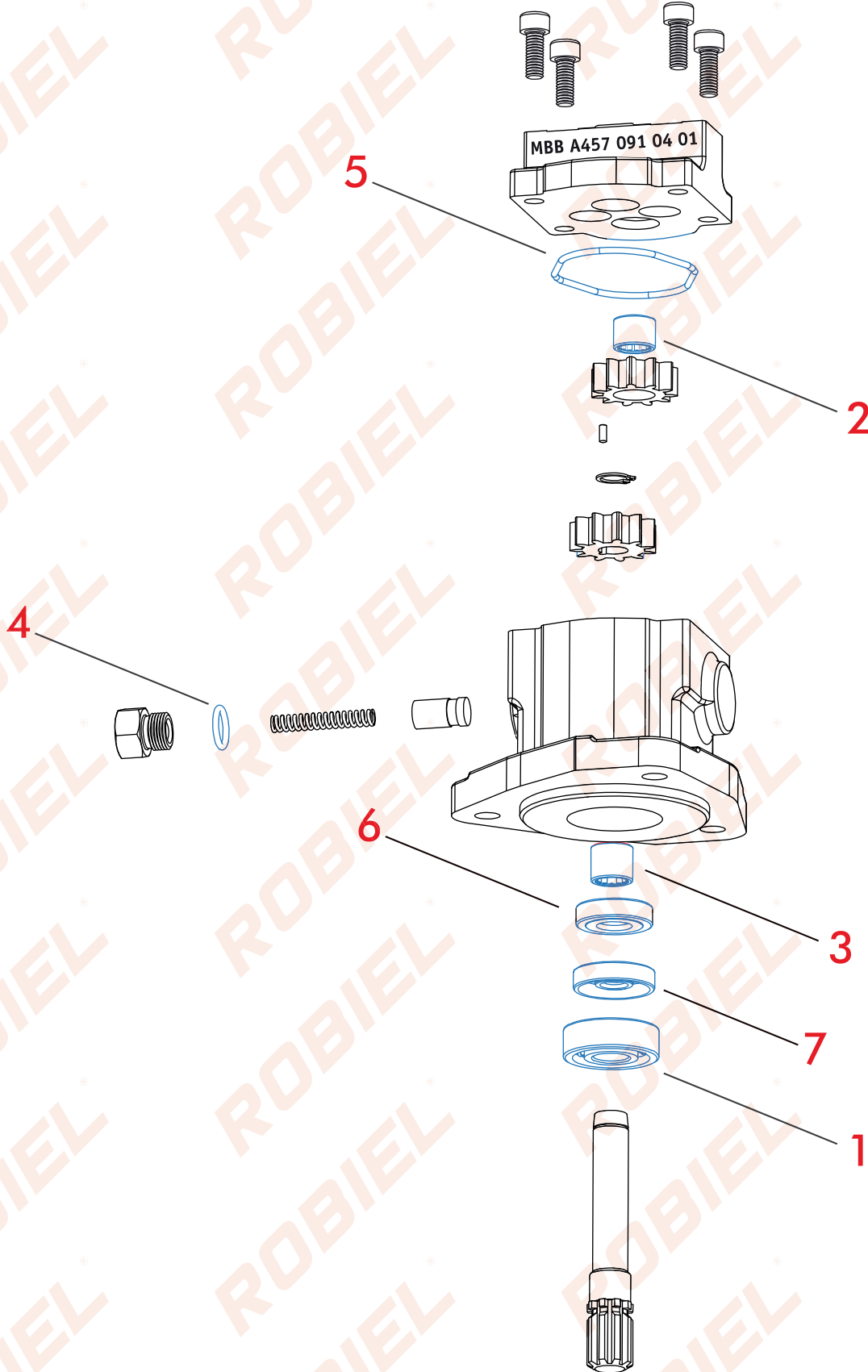
**DOWNLOAD OUR NEW APP**  
DESCARGUE NUESTRA NUEVA APLICACIÓN



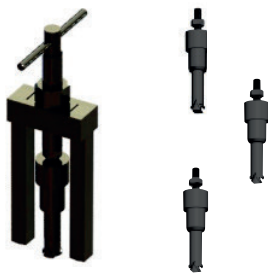
## MBB SERIE 900 GEAR PUMP BOMBA DE ALIMENTACIÓN SERIE 900

**PUMP CODE**

A 457 091 04 01



410.04.01		REPAIR PARTS - MBB SERIE 900 ELECTRONIC GEAR PUMP		
		REPARACION BBA ALIMENTACION MBB SERIE 900 ELECT		
REFERENCE				
Nº	ROBIEL CODE	REFERENCE	DESCRIPTION	PACK
1	321.00.03	-	Bearing - Rodamiento	01un.
2	321.00.04	-	Bearing - Rodamiento	01un.
3	321.00.05	-	Bearing - Rodamiento	01un.
4	421.01.120	1 928 300 719	O-ring - Anillo Oring	01un.
5	421.05.020	-	O-ring - Anillo Oring	01un.
6	430.02.510	-	Retainer - Reten	01un.
7	430.02.710	-	Retainer - Reten	01un.



**323.01.531**  
 Bearing Pulling Attachment -  
 1933/1938/712C Gear Pump  
 Herramienta de Sacar Rodamiento BBA  
 Alimentación - 1933/1938/712C



**323.01.69**  
 Pulling Attachment - SCA  
 712C Berring  
 Herramienta de Sacar  
 Rodamiento SCA 712C



**323.01.70**  
 Pulling Attachment - SCA  
 1938 Berring  
 Herramienta de Sacar  
 Rodamiento SCA 1938



**323.01.95**  
 Pulling Attachment MBB  
 1938/Serie 900 - Berring  
 Herramienta de Sacar  
 Rodamiento MBB  
 1933/Serie 900  
 Pump: A 457 091 05 01



USE YOUR SMARTPHONE CAMERA TO SCAN THE QR CODE AND ACCESS MORE TECHNICAL INFORMATION FROM OUR PRODUCTS IN **ROBIEL®** APP.

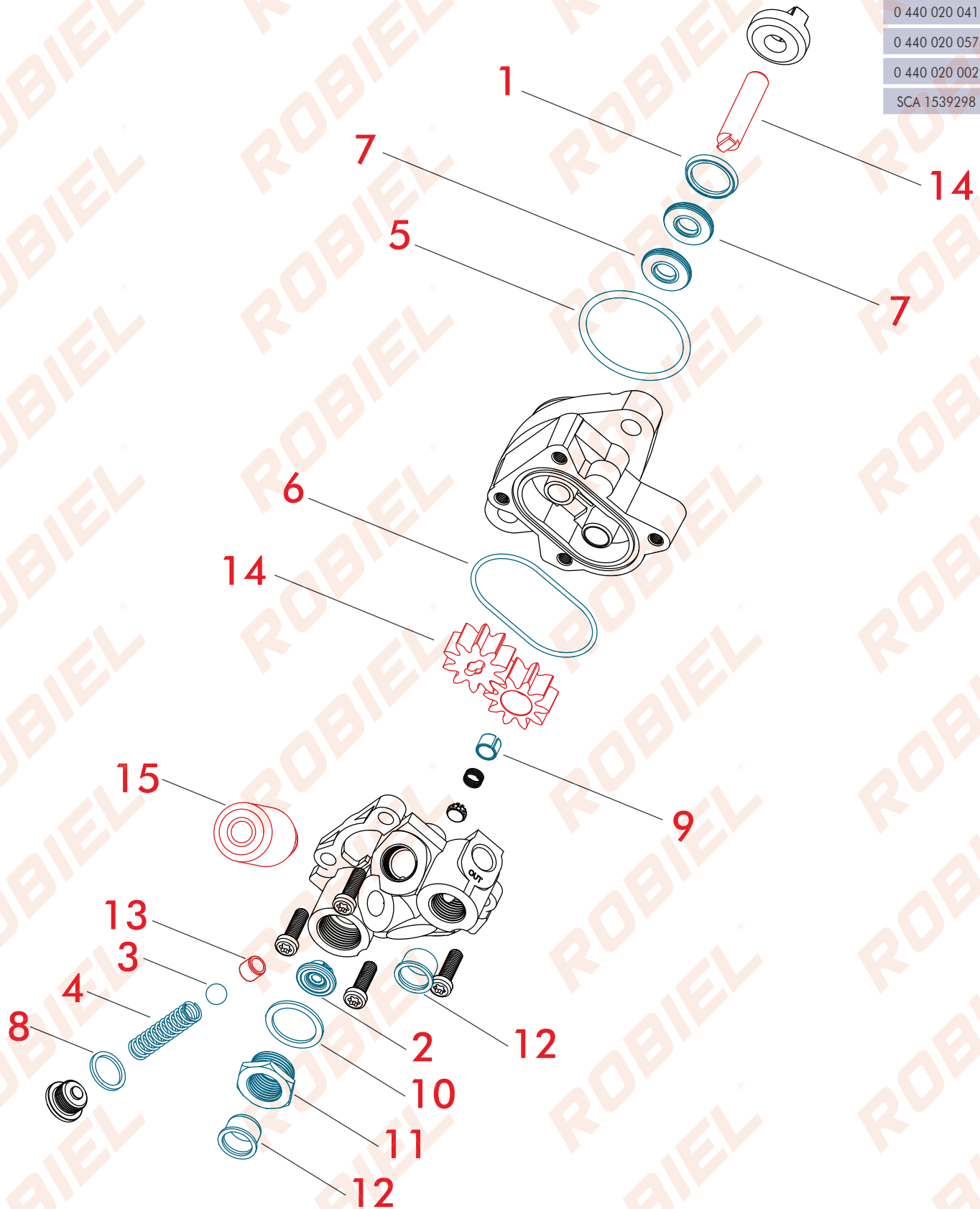
USE LA CÁMARA DE SU TELÉFONO PARA ESCANEAR EL CÓDIGO QR Y OBTENER MÁS INFORMACIONES TÉCNICAS SOBRE LOS PRODUCTOS EN NUESTRA APLICACIÓN **ROBIEL®**.

**DOWNLOAD OUR NEW APP**  
DESCARGUE NUESTRA NUEVA APLICACIÓN



**SCANIA GEAR PUMP**  
BOMBA DE ALIMENTACIÓN SCANIA

PUMP CODE
0 440 020 041
0 440 020 057
0 440 020 002
SCA 1539298



**410.20.042**

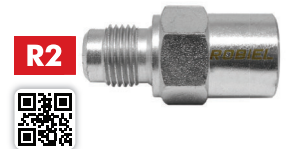
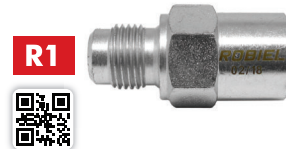
**REPAIR PARTS - SCANIA GEAR PUMP**  
REPARACION BBA ALIMENTACION SCANIA

REFERENCE				
Nº	ROBIEL CODE	REFERENCE	DESCRIPTION	PACK
1	110.05.01	-	Retainer Cover - <i>Tapa del retenedor</i>	01un.
2	165.06.01F	2 447 419 002	Valve - <i>Valvula</i>	01un.
3	190.50.09	-	Ball - <i>Bolilla</i>	01un.
4	225.02.05	-	Spring - <i>Resorte</i>	01un.
5	420.04.530	-	O-Ring - <i>Anillo</i>	01un.
6	421.05.020	-	O-Ring - <i>Anillo</i>	01un.
7	430.01.022	-	Retainer - <i>Reten</i>	02un.
8	614.18.15	2 916 710 609	Washer - <i>Arandela</i>	01un.
9	305.04.06	-	Pin	01un.
10	520.26.15	-	Washer - <i>Arandela</i>	01un.
11	165.05.14	-	Bolt - <i>Tapon</i>	01un.
12	220.03.02	1 900 508 011	Protective Cap - <i>Tapa de Proteccion</i>	02un.
13	140.06.04	-	Bushing - <i>Casquillo</i>	01un.



**SPARE PARTS**  
*Repuestos*

Nº	ROBIEL CODE	REFERENCE	DESCRIPTION	PACK
14	191.01.03	-	Gear Set - <i>Scania Fuel Pump</i> <i>Juego de Engranaje BBA Alimentacion Scania</i>	01kit.
15	135.01.10	2 447 222 099   2 447 010 020	Hand Primer Pump <i>Bomba de Alimentación Manual</i>	01un.
R1	340.03.163	1917514 - 2 417 413 110	Return Valve - <i>Scania 124 6.0 bar - 380   420</i> <i>Valvula de Retorno Scania 124 6.0 bar</i>	01un.
R2	340.03.165	1368497 - 2 417 413 085	Return Valve - <i>Scania 124 3.5 bar - 380   420</i> <i>Valvula de Retorno Scania 124 3.5 bar</i>	01un.



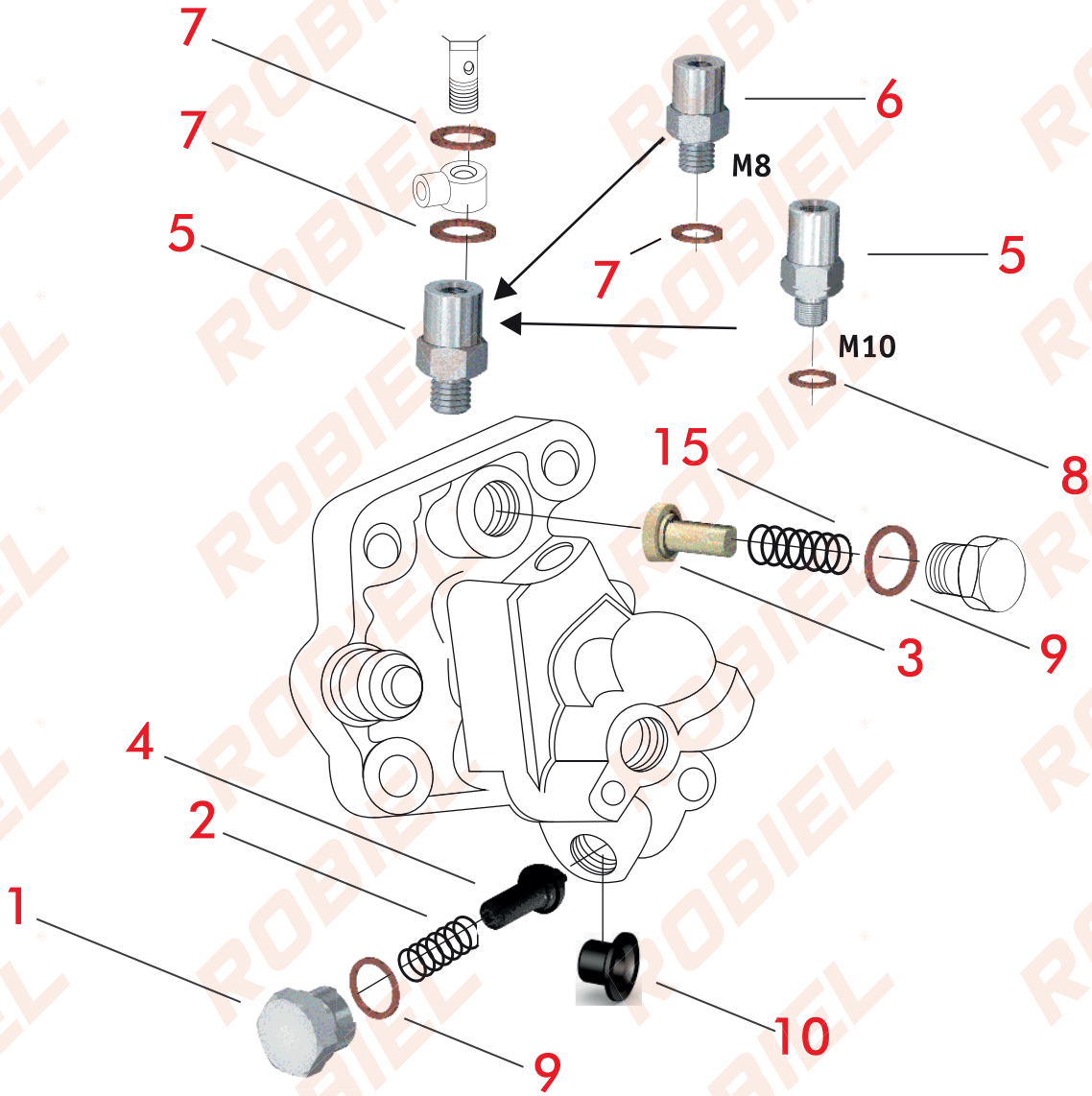
USE YOUR SMARTPHONE CAMERA TO SCAN THE QR CODE AND ACCESS MORE TECHNICAL INFORMATION FROM OUR PRODUCTS IN **ROBIEL** APP.

USE LA CÁMARA DE SU TELÉFONO PARA ESCANEAR EL CÓDIGO QR Y OBTENER MÁS INFORMACIONES TÉCNICAS SOBRE LOS PRODUCTOS EN NUESTRA APLICACIÓN **ROBIEL**.



**DOWNLOAD OUR NEW APP**  
DESCARGUE NUESTRA NUEVA APLICACIÓN



**VOLVO D12C GEAR PUMP**  
BOMBA DE ALIMENTACIÓN VOLVO D12C



410.41.875 REPAIR PARTS - VOLVO D12C GEAR PUMP (M10 VALVE)				
REPARACION BBA ALIMENTACION VOLVO D12C (VALV M10)				
REFERENCE				
Nº	ROBIEL CODE	REFERENCE	DESCRIPTION	PACK
1	165.05.02	2 443 462 009	Bolt - Tapon	01un.
2	225.01.29	-	Spring - Resorte	01un.
3	340.01.01	9 441 080 132	Valve - Valvula	01un.
4	340.01.02	-	Valve - Valvula	01un.
5	340.03.17	167 7855	Valve - Valvula	01un.
6	340.03.22	20430101	Valve - Valvula	01un.
7	608.14.10	1 460 105 307	Washer - Arandela	03un.
8	610.16.10	-	Washer - Arandela	01un.
9	616.20.15	2 916 710 611	Washer - Arandela	02un.
15	225.01.01	-	Spring - Resorte	01un.

SPARE PARTS				
Repuestos				
Nº	ROBIEL CODE	REFERENCE	DESCRIPTION	PACK
10	140.06.03	-	Bushing - FH12 Gear Pump Valve Seat Casquillo del Asiento - Valvula de la BBA Alimentación FH12	05un.
11	250.08.05	3 184 837	Bolt - 8.00 mm - FH12 Gear Pump - 1/2 Wrench Tornillo 8.00 mm BBA Alimentación FH12 LLAVE 1/2	04un.
12	420.05.23	976013	Gasket - FH12 Volvo Gear Pump Empaquetadura BBA Alimentación Volvo FH12	01un.
13	421.00.915	960137	O-Ring Green - Volvo D12C / Delphi Anillo Oring verde - BBA Volvo D12C / Delphi	05un.
14	430.01.224	8148471	Retainer - Volvo FH12 Gear Pump Reten de la BBA Alimentación Volvo FH12	02un.
R1	340.03.17	1 677 850	Valve - FH12 Line 2000 Gear Pump Valvula de la BBA Alimentación FH12 Línea 2000	01un.
R2	340.03.22	2 043 0101	Valve - FH12 Gear Pump (Until 1999) Valvula de la BBA Alimentación FH12 Hasta 1999	01un.

**10**




**11**




**12**




**13**




**14**




**R1**



M10 X 1.00  
M8 x X 1.5



**R2**



M8 X 1.00  
M8 x X 1.0





**323.01.65**

Assembly Tool Set - Volvo  
FH12 Bushing Pump  
Juego de Herramienta p/ montar  
casquillo BBA Volvo FH12





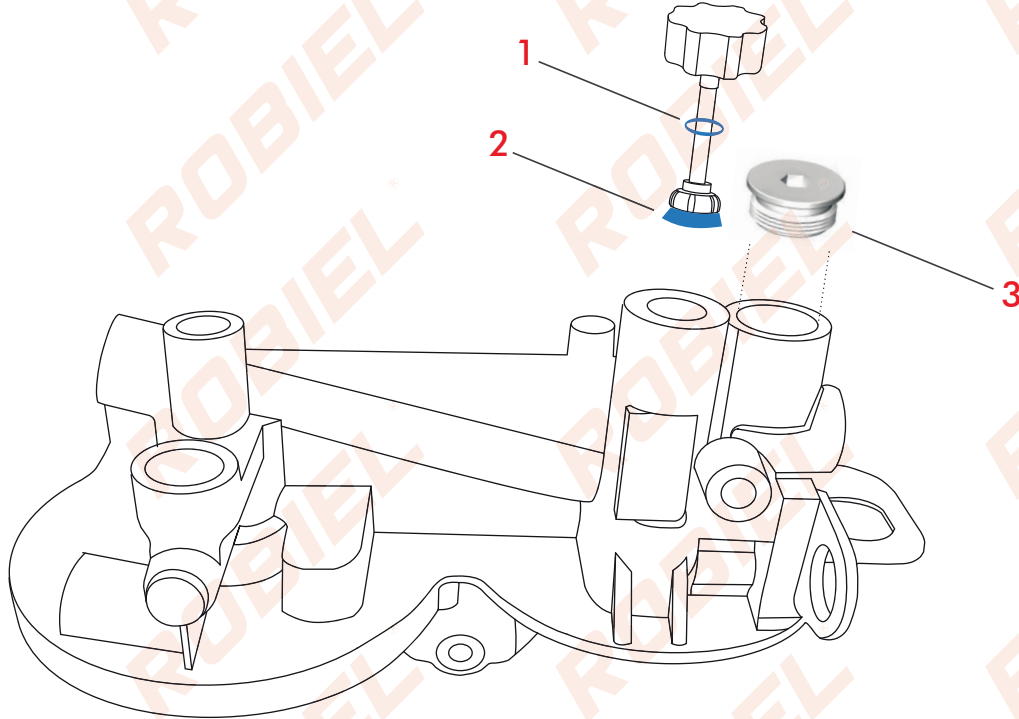
USE YOUR SMARTPHONE CAMERA TO SCAN THE QR CODE AND ACCESS MORE TECHNICAL INFORMATION FROM OUR PRODUCTS IN **ROBIEL** APP.

USE LA CÁMARA DE SU TELÉFONO PARA ESCANEAR EL CÓDIGO QR Y OBTENER MÁS INFORMACIONES TÉCNICAS SOBRE LOS PRODUCTOS EN NUESTRA APLICACIÓN **ROBIEL**.

**DOWNLOAD OUR NEW APP**  
DESCARGUE NUESTRA NUEVA APLICACIÓN



**VOLVO D13 GEAR PUMP**  
BOMBA DE ALIMENTACIÓN VOLVO D13



**410.00.30 REPAIR PARTS - VOLVO FH12 MANUAL PUMP**  
REPARACION BBA MANUAL VOLVO FH12

REFERENCE				
Nº	ROBIEL CODE	REFERENCE	DESCRIPTION	PACK
1	420.00.625	-	O-ring - Anillo oring	01un.
2	420.15.01	-	Gasket - Gaxeta	01un.



**SPARE PARTS**  
Repuestos

Nº	ROBIEL CODE	REFERENCE	DESCRIPTION	PACK
3	142.05.10	-	Bolt - Threaded - FH12 Fuel Filter Body Tapon Roscado Carter Filtro Comb FH12	01un.



# **ROBIEL**<sup>®</sup>

## **HEUI PUMPS** *(BOMBAS HEUI)*

CATERPILLAR C7 / C9  
STANADYNE

USE YOUR SMARTPHONE CAMERA TO SCAN THE QR CODE AND ACCESS MORE TECHNICAL INFORMATION FROM OUR PRODUCTS IN **ROBIEL** APP.

USE LA CÁMARA DE SU TELÉFONO PARA ESCANEAR EL CÓDIGO QR Y OBTENER MÁS INFORMACIONES TÉCNICAS SOBRE LOS PRODUCTOS EN NUESTRA APLICACIÓN **ROBIEL**.

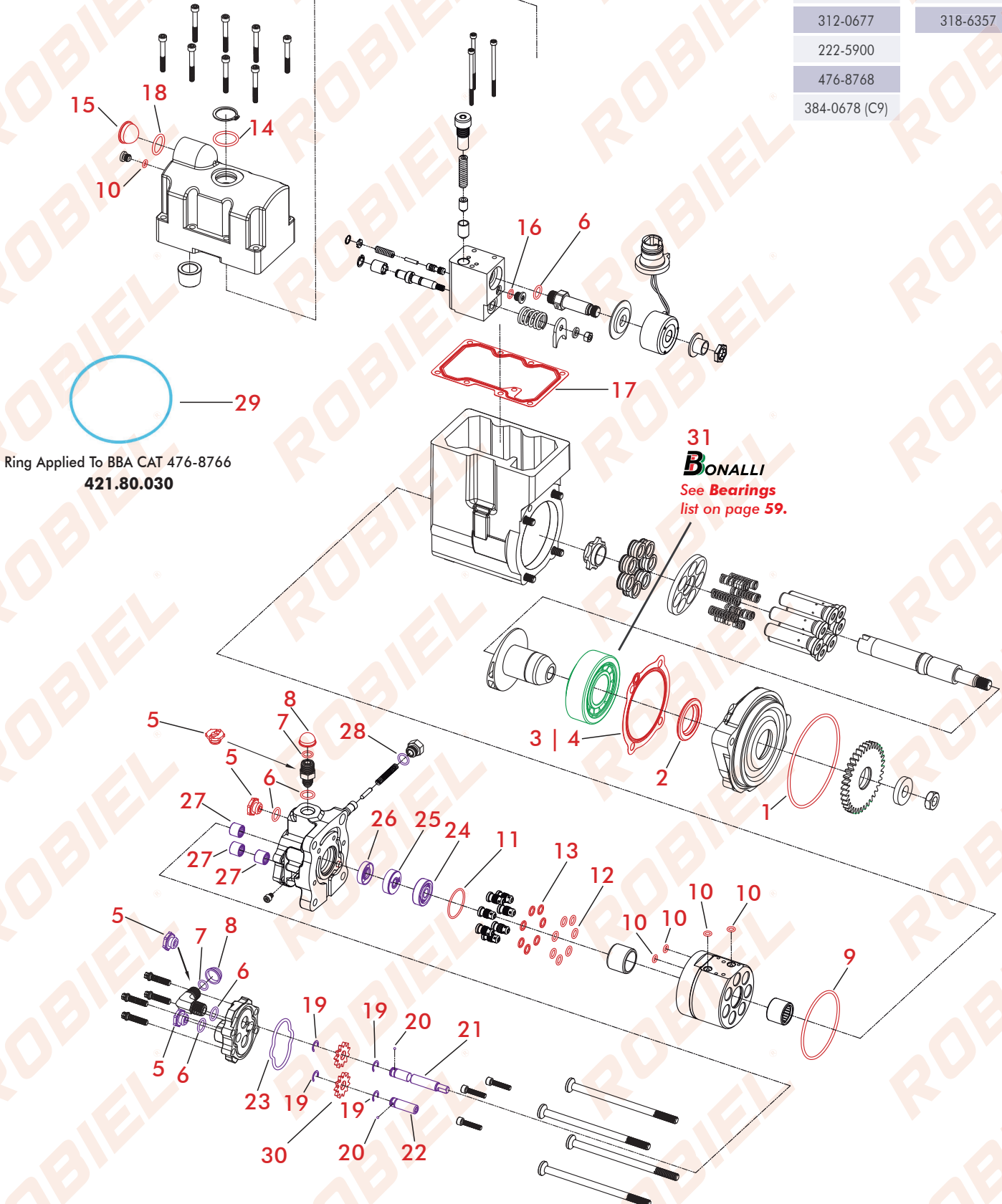
**DOWNLOAD OUR NEW APP**  
DESCARGUE NUESTRA NUEVA APLICACIÓN



## CATERPILLAR C7 | C9 HIGH PRESSURE PUMP

BOMBA DE ALTA PRESIÓN CATERPILLAR C7 | C9

PUMP CODE	FEEDING PUMP
319-0677	326-1006
319-0680	178-2357
312-0677	318-6357
222-5900	
476-8768	
384-0678 (C9)	



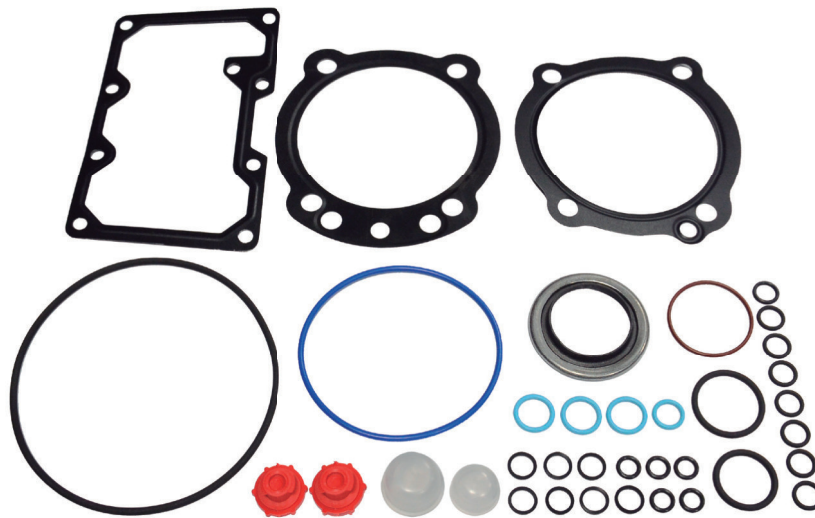
Ring Applied To BBA CAT 476-8766  
**421.80.030**

**31**  
**BONALLI**  
See Bearings  
list on page 59.

**410.60.678**

**REPAIR KIT CATERPILLAR C7/C9 HIGH PRESSURE PUMP**  
KIT DE REPARACIÓN BOMBA DE ALTA PRESIÓN C7/C9

REFERENCE							
Nº	ROBIEL CODE	REFERENCE	PACK	Nº	ROBIEL CODE	REFERENCE	PACK
1	421.10.330	185-3141   227-5904	01un	10	421.06.180	239-2402	05un
2	430.35.49	163-7900	01un	11	421.03.218	179-8128   3070136	01un
3	450.06.09	-	01un	12	421.08.180	-	07un
4	450.06.10	-	01un	13	421.08.120	-	07un
5	220.02.06	-	02un	14	421.23.262	-	01un
6	421.12.20	-	03un	15	220.03.10	-	01un
7	421.09.180	-	01un	16	421.00.718	-	01un
8	220.03.03	-	01un	17	450.06.11	-	01un
9	421.75.262	-	01un	18	421.19.265	-	01un



**410.60.357**

**REPAIR KIT CATERPILLAR C7/C9 FEEDING PUMP**  
KIT DE REPARACIÓN BOMBA DE BAJA PRESIÓN C7/C9

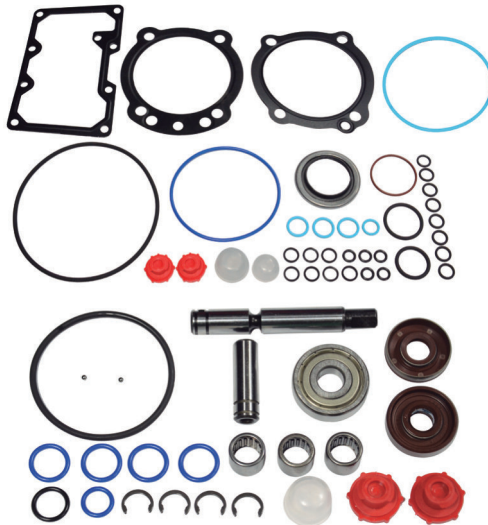
REFERENCE			
Nº	ROBIEL CODE	REFERENCE	PACK
5	220.02.06	-	02un
6	421.12.20	-	02un
7	421.09.180	-	01un
8	220.03.03	-	01un
19	115.02.10	-	04un
20	190.50.21	-	02un
21	191.01.05C	-	01un
22	191.01.05D	-	01un
23	421.05.026	-	01un
24	321.00.09	-	01un
25	430.10.27	03931063-315	01un
26	430.10.254	212-0316	01un
27	321.00.05	-	03un
28	421.01.118	-	01un



**410.60.766**

**REPAIR PARTS - CAT C7 / C9 HIGH PRESSURE PUMP**  
*Kit de Reparación Bomba de Alta Presión C7 / C9*

REFERENCE							
Nº	ROBIEL CODE	REFERENCE	PACK	Nº	ROBIEL CODE	REFERENCE	PACK
1	421.10.330	185-3141   227-5904	01pç.	15	220.03.10	-	01pç.
2	430.35.49	163-7900	01pç.	16	421.00.718	-	01pç.
3	450.06.09	-	01pç.	17	450.06.11	-	01pç.
4	450.06.10	-	01pç.	18	421.19.265	-	01pç.
5	220.02.06	-	04pç.	19	115.02.10	-	04pç.
6	421.12.20	-	07pç.	20	190.50.21	-	02pç.
7	421.09.180	-	02pç.	21	191.01.05C	-	01pç.
8	220.03.03	-	02pç.	22	191.01.05D	-	01pç.
9	421.75.262	-	01pç.	23	421.05.026	-	01pç.
10	421.06.180	239-2402	05pç.	24	321.00.09	-	01pç.
11	421.03.218	179-8128   3070136	01pç.	25	430.10.27	03931063-315	01pç.
12	421.08.180	-	07pç.	26	430.10.254	212-0316	01pç.
13	421.08.120	-	07pç.	27	321.00.05	-	03pç.
14	421.23.262	-	01pç.	28	421.01.118	-	01pç.
				29	421.80.030	-	01pç.



**SPARE PARTS**  
*Repuestos*

Nº	ROBIEL CODE	REFERENCE	DESCRIPTION	PACK
30	191.01.05	-	Gear Set - Cat C7/C9 - Fuel Pump <i>Juego de Engranajes de la BBA Comb CAT C7 / C9</i>	01kit

**30**



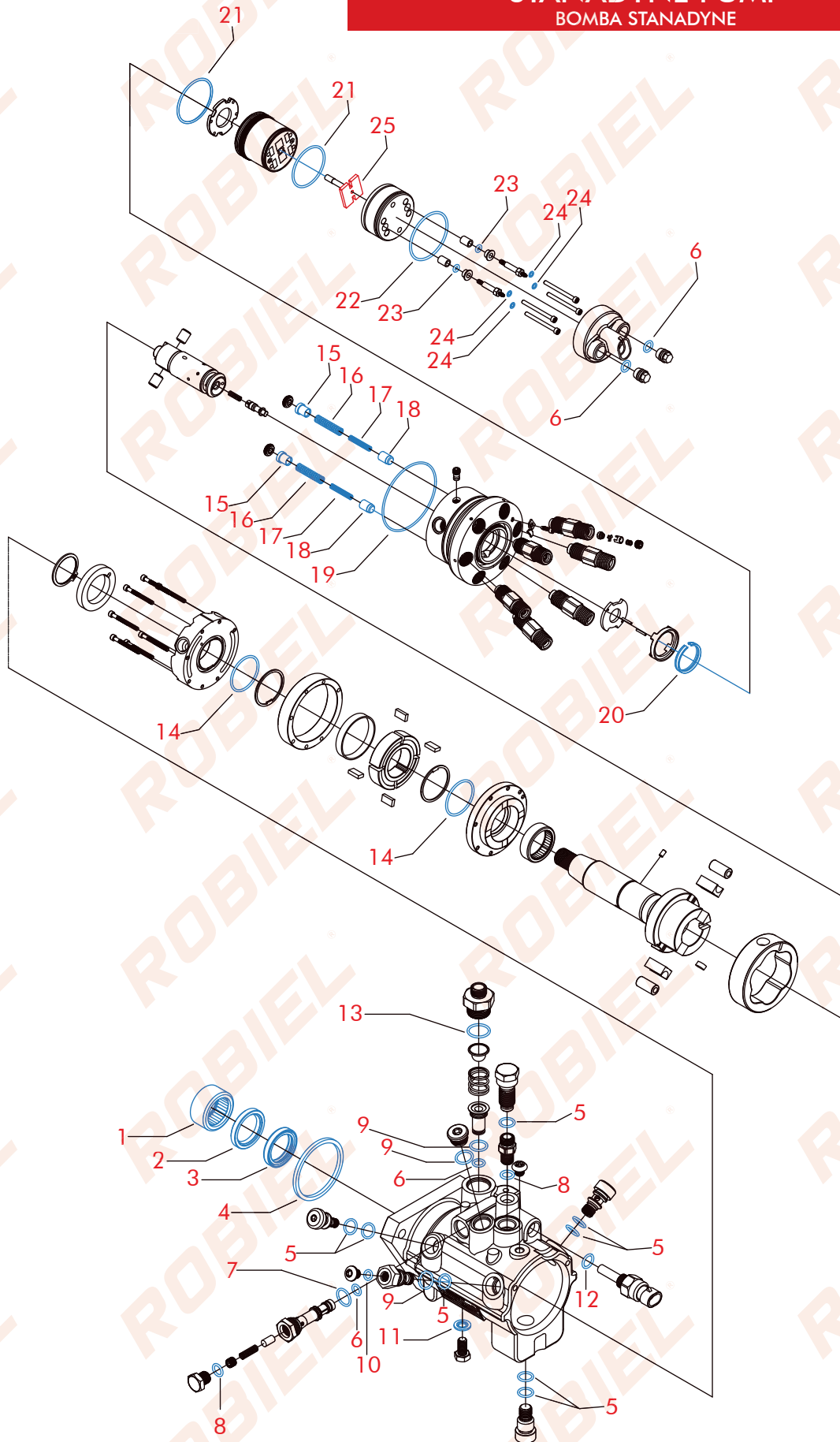
USE YOUR SMARTPHONE CAMERA TO SCAN THE QR CODE AND ACCESS MORE TECHNICAL INFORMATION FROM OUR PRODUCTS IN **ROBIEL®** APP.

USE LA CÁMARA DE SU TELÉFONO PARA ESCANEAR EL CÓDIGO QR Y OBTENER MÁS INFORMACIONES TÉCNICAS SOBRE LOS PRODUCTOS EN NUESTRA APLICACIÓN **ROBIEL®**.

**DOWNLOAD OUR NEW APP**  
DESCARGUE NUESTRA NUEVA APLICACIÓN



**STANADYNE PUMP**  
BOMBA STANADYNE



**410.36.476** REPAIR PARTS - STANADYNE PUMP  
REPARACION BBA STANADYNE

REFERENCE 36476 - STANADYNE

Nº	ROBIEL CODE	DESCRIPTION	PACK
1	321.00.07	Bearing - Rodamiento	01un.
2	430.02.938	Retainer - Retén	01un.
3	430.02.937	Retainer - Retén	01un.
4	421.60.5334	O-ring - Anillo	01un.
5	421.01.116	O-ring - Anillo	08un.
6	421.00.818	O-ring - Anillo	04un.
7	421.01.417*	O-ring - Anillo	01un.
8	421.00.919	O-ring - Anillo	02un.
9	421.01.217	O-ring - Anillo	03un.
10	421.00.618	O-ring - Anillo	01un.
11	608.13.15	Washer - Arandela	01un.
12	421.01.018	O-ring - Anillo	01un.

Nº	ROBIEL CODE	DESCRIPTION	PACK
13	421.01.717	O-ring - Anillo	01un.
14	421.03.118	O-ring - Anillo	02un.
15	310.01.11	Piston - Pistón	02un.
16	225.01.58	Spring- Resorte	02un.
17	225.01.59	Spring- Resorte	02un.
18	310.01.10	Piston - Pistón	02un.
19	421.06.516	O-ring - Anillo	01un.
20	135.05.02*	Ring (Profile - Steel) Anillo Perfil de acero	01un.
21	421.03.817*	O-ring - Anillo	02un.
22	421.04.418	O-ring - Anillo	01un.
23	421.00.417	O-ring - Anillo	02un.
24	603.05.10	Washer - Arandela	04un.

\* Item sold separate. \* Artículo vendido avulso.



25	ARMATURE PLATE - STANADYNE PUMP ARMADURA BBA STANADYNE	
ROBIEL CODE	REFERENCE	THICKNESS(mm)
801.20.285	36145	2.85
01 UNIT		



# ROBIEL®

## REPAIR TOOLS *Herramientas para Reparar*

Tool Kits - *Kits de Herramientas*

Interchangeable Tips - *Puntas Intercambiables*

**General Applications – Aplicaciones Generales**

High Pressure Pumps - *Bombas de alta presión*

Common Rail Injectors - *Inyectores Common Rail*

EUP | EUI | HEUI Units - *Unidades EUP | EUI | HEUI*

Gear Pumps - *Bombas de Alimentación*



USE YOUR SMARTPHONE CAMERA TO SCAN THE QR CODE AND ACCESS MORE TECHNICAL INFORMATION FROM OUR PRODUCTS IN **ROBIEL** APP.

USE LA CÁMARA DE SU TELÉFONO PARA ESCANEAR EL CÓDIGO QR Y OBTENER MÁS INFORMACIONES TÉCNICAS SOBRE LOS PRODUCTOS EN NUESTRA APLICACIÓN **ROBIEL**.

**DOWNLOAD OUR NEW APP**  
DESCARGUE NUESTRA NUEVA APLICACIÓN



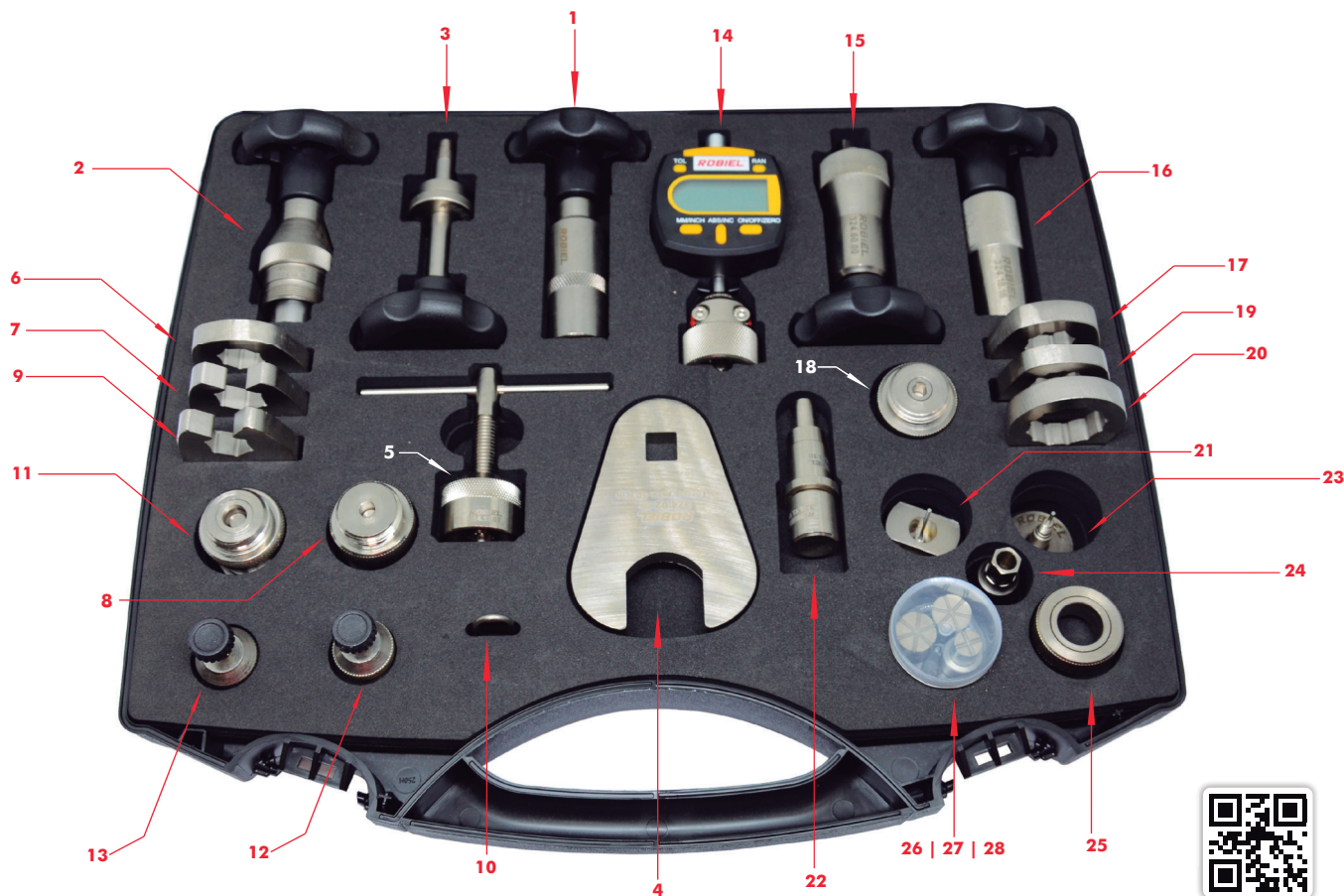
# ROBIEL®

## TOOL KITS - Kits de Herramientas

<b>323.50.072</b> - _____	<b>240</b>
<b>323.50.083</b> - _____	<b>241</b>
<b>323.50.063</b> - _____	<b>242</b>
<b>323.50.091</b> - _____	<b>243</b>
<b>323.50.102</b> - _____	<b>244</b>
<b>323.50.212</b> - _____	<b>245</b>
<b>323.50.38</b> - _____	<b>246</b>
<b>323.50.40</b> - _____	<b>247</b>
<b>323.50.33</b> - _____	<b>248</b>
<b>323.50.34</b> - _____	<b>249</b>
<b>323.50.35</b> - _____	<b>250</b>
<b>323.50.36</b> - _____	<b>251</b>
<b>323.50.041</b> - _____	<b>252</b>
<b>323.50.043</b> - _____	<b>253</b>
<b>323.50.111</b> - _____	<b>254</b>
<b>323.50.121</b> - _____	<b>255</b>
<b>323.50.13</b> - _____	<b>256</b>
<b>323.50.14</b> - _____	<b>257</b>
<b>323.50.37</b> _____	<b>285</b>
<b>323.50.221</b> - _____	<b>259</b>
<b>323.50.29</b> - _____	<b>260</b>
<b>323.50.261</b> - _____	<b>261</b>
<b>323.50.42</b> - _____	<b>262</b>
<b>323.50.231</b> - _____	<b>263</b>
<b>323.50.41</b> - _____	<b>264</b>
<b>323.50.17</b> - _____	<b>265</b>
<b>323.50.191</b> - _____	<b>266</b>

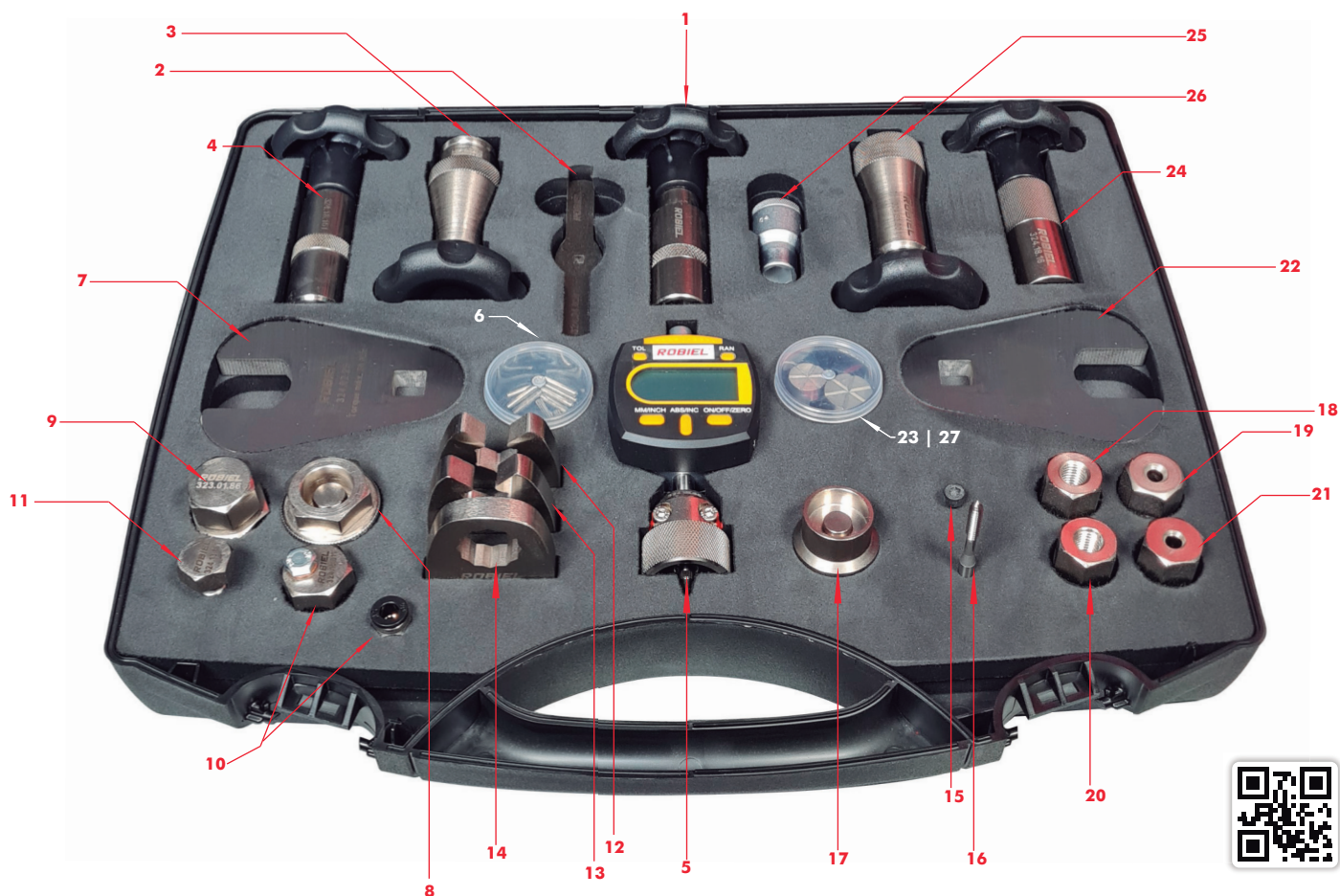
**323.50.072**

**COMMON RAIL BOSCH CRI 1.0 / 2.0 / 2.1 / 2.2 / CRIN 1 / 1.6 INJECTORS TOOL KIT**  
 KIT DE HERRAMIENTAS INYECTORES COMMON RAIL BOSCH CRI 1.0 / 2.0 / 2.1 / 2.2 / CRIN 1 / 1.6



- 1** - 324.18.170 – POLISHING TOOL TO INTERMEDIATE DISC SEAT - HERRAMIENTA ACABAMIENTO ASIENTO DISCO INTERMEDIARIO
- 2** - 324.18.19 – POLISHING TOOL TO CRI/CRIN INJ SOLENOID INTERNAL SEAT - HERRAMIENTA ACABAMIENTO ASIENTO INTERNO SOLENOIDE INY CRI/CRIN
- 3** - 324.13.01 – TOOL TO PULL THE ROD RING - HERRAMIENTA DE SACAR ANILLO BASTON
- 4** - 324.02.29 – BOX WRENCH 29.00 MM - LLAVE ESTRIADA DE BOCA 29.00 MM
- 5** - 324.13.07 – DEVICE FOR HOUSING CRI/CRIN VALVE - DISPOSITIVO P/ ALOJAR VÁLVULA CRIN/CRIN
- 6** - 324.08.16 – OCTAGONAL WRENCH 16.00 MM - LLAVE OCTOGONAL 16.00 MM
- 7** - 324.07.17 – HEX WRENCH 17.00 MM - LLAVE HEX 17.00 MM
- 8** - 324.12.09 – MEASURING TOOL - INJECTOR MICRO-BALL STROKE - HERRAMIENTA CARRERA DE APERTURA MICRO BOLILLA INY
- 9** - 324.07.15 – HEX WRENCH 15.00 MM - LLAVE HEX 15.00 MM
- 10** - 323.01.93 – ASSEMBLY/ DISASSEMBLY TOOL FOR PARTS SET ARMATURE BASE PLATE - 120 INJ - HERRAMIENTA DESMONTAR/MONTAR VALV COGUMELO 120
- 11** - 324.12.08 – ADJUSTING TOOL - CRI/CRIN INJ FIELD SHIM - HERRAMIENTA AJUSTE CALZO INDUCTANCIA INY CRIN/CRIN
- 12** - 324.13.08 – PULLER TOOL - CRI/CRIN CR VALVE - HERRAMIENTA SACAR VÁLVULA CRIL CRIN/CRIN
- 13** - 324.13.04 – PULLER TOOL - CRI/CRIN INJECTOR SET VALVE - HERRAMIENTA SACAR JUEGO VÁLVULA INY CRI/CRIN
- 14** - 324.12.06 – DIGITAL INDICATOR GAUGE - STROKE MEASURE - INDICADOR DIGITAL - MEDICIÓN CARRERA DE APERTURA
- 15** - 324.60.00 – INTERCHANGEABLE POLISHING TOOL BODY - M27X1.00MM - CUERPO HERRAMIENTA DE POLIR INTERCAMBIABLE - M27X1.00MM
- 16** - 324.18.16 – POLISHING TOOL TO SIEMENS NOZZLE INJECTOR SEAT - HERRAMIENTA ACABAMIENTO ASIENTO TOBERA INYECTOR SIEMENS
- 17** - 324.08.174 – OCTAGONAL WRENCH 17.50 MM - LLAVE OCTOGONAL 17.50 MM
- 18** - 324.12.031 – MEASURING TOOL - DNH NOZZLE NEEDLE STROKE - HERRAMIENTA P/ MEDIR DNH CARRERA DE APERTURA AGUJA DE LA TOBERA
- 19** - 324.03.19 – BOX WRENCH 19.00 MM - LLAVE ESTRIADA 19.00 MM
- 20** - 324.09.28 – WRENCH - 12 SIDES - 28.00MM - LLAVE 12 LADOS 28.00MM
- 21** - 324.12.171 – MEASURING TOOL - CRI INJ ELECTRICAL BALL STROKE - HERRAMIENTA CARRERA DE APERTURA BOLILLA ELECT INY CRI
- 22** - 324.13.18 – TOOL TO APPLY THE CRI/CRIN ROD RING - HERRAMIENTA APLICAR ANILLO BASTON CRIN / CRI
- 23** - 324.12.18 – MEASURING TOOL - INJ BALL CLEARANCE W/ ELECTRONIC ACTIVATION - HERRAMIENTA MEDIR HOLSURA BOLILLA C/ ACTIVACIÓN ELECT INY
- 24** - 324.10.10 – RETAINING BUSHING WRENCH - 248/273 CR VALVE - LLAVE DEL CASQUILLO DE FIJACION VALV CRIL 248/273
- 25** - 324.13.09 – REMOVING TOOL - CRIN INJ PARTS SET ARMATURE BASE PLATE - HERRAMIENTA REMOVER BLOQUEO COGUMELO INYECTOR CRIN
- 26** - 324.60.099 – INTERCHANGEABLE TOOL "B" - 9.90MM - PUNTERA INTERCAMBIABLE "B" - 9.90MM
- 27** - 324.60.147 – INTERCHANGEABLE TOOL "C" - 14.70MM - PUNTERA INTERCAMBIABLE "C" - 14.70MM
- 28** - 324.60.155 – INTERCHANGEABLE TOOL "D" - 15.50MM - PUNTERA INTERCAMBIABLE "D" - 15.50MM

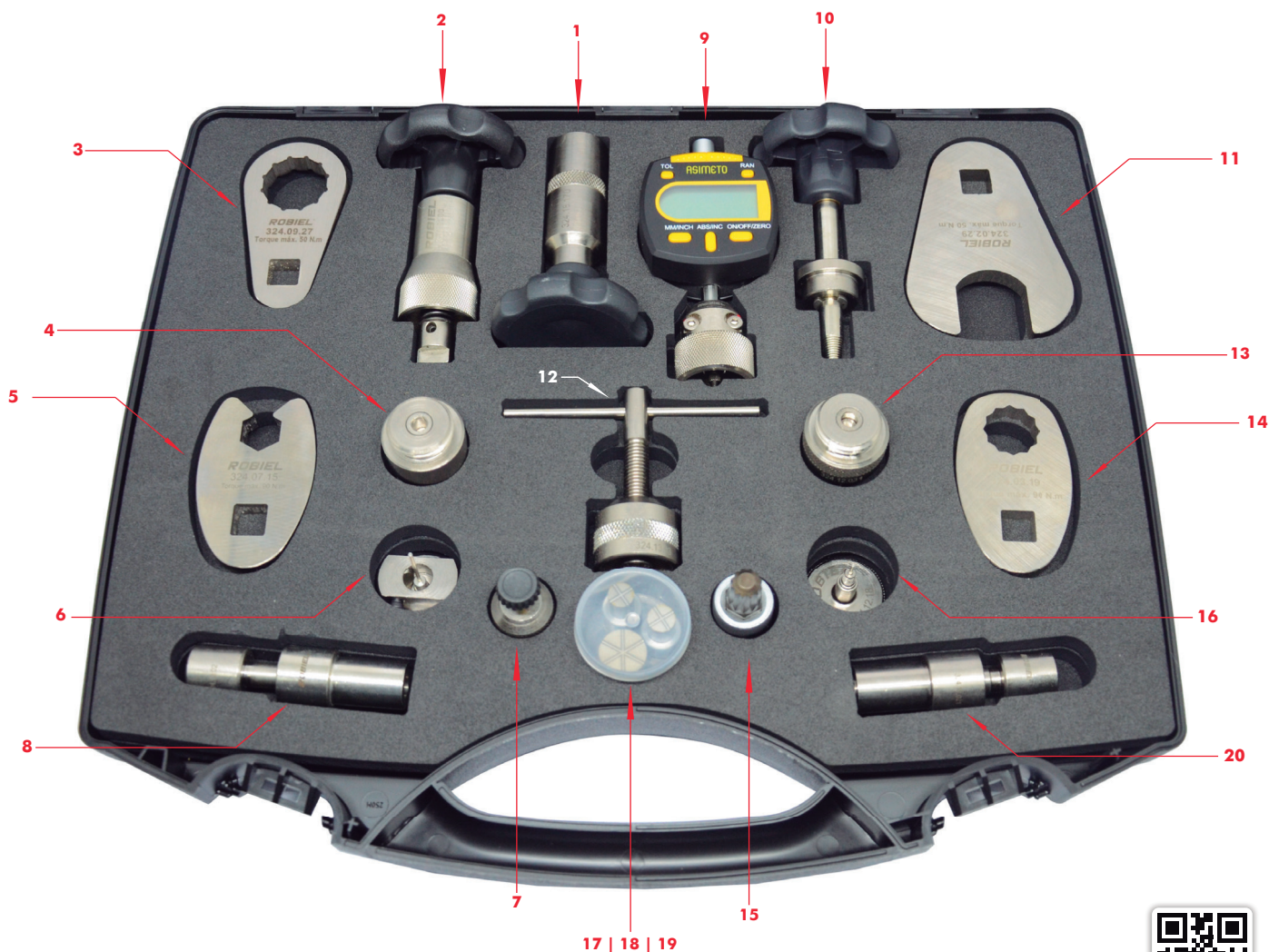
**323.50.083 COMMON RAIL DENSO G1 / G2 / G3 - SIEMENS / CONTINENTAL INJECTORS TOOL KIT**  
**KIT DE HERRAMIENTAS INYECTORES COMMON RAIL DENSO G1 / G2 / G3 - SIEMENS / CONTINENTAL**



- 1** - 324.18.170 – POLISHING TOOL TO INTERMEDIATE DISC SEAT - HERRAMIENTA ACABAMIENTO ASIENTO DISCO INTERMEDIARIO
- 2** - 324.34.050B – TAP WRENCH FOR 324.26.316 TOOL - GIRAMACHO PARA HERRAMIENTA 324.26.316
- 3** - 324.18.21 – POLISHING TOOL TO SIEMENS/DENSO SOLENOID SEAT - HERRAMIENTA ACABAMIENTO ASIENTO SOLEN SIEMENS/DENSO
- 4** - 324.18.161 – POLISHING TOOL TO DENSO INJECTOR NOZZLE SEAT - HERRAMIENTA ACABAMIENTO ASIENTO TOBERA INYECTOR DENSO
- 5** - 324.12.06 – DIGITAL INDICATOR GAUGE - STROKE MEASURE - INDICADOR DIGITAL - MEDICIÓN CARRERA DE APERTURA
- 6** - 323.01.83N – VALVE TOOL WRENCH PIN - 6x - PIN - LLAVE DE LA HERRAMIENTA DE LA VÁLVULA - 6x
- 7** - 324.02.25 – BOX WRENCH 25.00 MM - LLAVE ESTRIADA DE BOCA 25.00 MM
- 8** - 324.13.32 – TOOL TO RELEASE DENSO INJECTOR VALVE - HERRAMIENTA SOLTAR VÁLVULA DEL INYECTOR DENSO
- 9** - 323.01.86 – ASSEMBLY/ DISASSEMBLY TOOL - SIEMENS INJ VALVE - HERRAMIENTA MONTAR/DESM VÁLVULA INY SIEMENS
- 10** - 324.18.011 – TOOL LOCKING FOR SEALING TEST BETWEEN INJECTOR BODY AND ROD - HERRAMIENTA BLOQUEO PARA PRUEBA DE ESTANQUEIDAD ENTRE CUERPO DEL INYECTOR Y BASTON
- 11** - 324.13.161 – TOOL TO APPLY THE DENSO NOZZLE HOLDER FILTER - HERRAMIENTA APLICAR FILTRO DEL PORTA INY DENSO
- 12** - 324.07.14 – HEX WRENCH 14.00MM - LLAVE HEX 14.00MM
- 13** - 324.07.15 – HEX WRENCH 15.00 MM - LLAVE HEX 15.00 MM
- 14** - 324.03.19 – BOX WRENCH 19.00 MM - LLAVE ESTRIADA 19.00 MM
- 15** - 324.13.16 – PULLER TOOL - DENSO NOZZLE HOLDER FILTER - HERRAMIENTA DE SACAR FILTRO PORTA INYECTOR DENSO
- 16** - 324.26.316 – MALE TO REMOVE DENSO INJECTOR FILTER - PERNO MACHO P/ EXTRACCION FILTRO INYECTOR DENSO
- 17** - 324.12.10 – ADJUSTING TOOL - DENSO INJ FIELD SHIM - HERRAMIENTA AJUSTE CALZO INDUCTANCIA INY DENSO
- 18** - 324.13.15 – NUT TOOL - FILTER APPLICATOR M14.00MM - HERRAMIENTA TUERCA APLICADOR DEL FILTRO M14.00MM
- 19** - 324.13.151 – GUIDE TOOL TO REMOVE M14 NOZZLE HOLDER FILTER - HERRAMIENTA GUIA EXTRACCION FILTRO PORTA INY M14
- 20** - 324.13.11 – GUIDE TOOL TO APPLY FILTER - M12X1.50MM - HERRAMIENTA GUIA DE APLICAR FILTRO - M12X1.50MM
- 21** - 324.13.111 – GUIDE TOOL TO REMOVE M12 NOZZLE HOLDER FILTER - HERRAMIENTA GUIA EXTRACCION FILTRO PORTA INY M12
- 22** - 324.02.27 – BOX WRENCH 27.00 MM - LLAVE ESTRIADA DE BOCA 27.00 MM
- 23** - 324.60.188 – INTERCHANGEABLE TOOL "F" - 18.80MM - PUNTERA INTERCAMBIABLE "F" - 18.80MM
- 24** - 324.18.16 – POLISHING TOOL TO SIEMENS NOZZLE INJECTOR SEAT - HERRAMIENTA ACABAMIENTO ASIENTO TOBERA INYECTOR SIEMENS
- 25** - 324.62.00 – INTERCHANGEABLE TOOL TO POLISH - M25X0.50MM - HERRAMIENTA INTERCAMBIABLE ACABAMIENTO - M25X0.50MM
- 26** - 324.35.110 – SHORT HEXAGONAL SOCKET 1/2" X 11MM - ENCHUFE HEXAGONAL CORTO 1/2" X 11MM
- 27** - 324.60.139 – INTERCHANGEABLE TOOL G - 13.93MM - PUNTERA INTERCAMBIABLE G - 13.93MM

**323.50.063**

**COMMON RAIL BOSCH CRIN 2 | CRIN 3 INJECTORS TOOL KIT**  
 KIT DE HERRAMIENTAS INYECTORES COMMON RAIL BOSCH CRIN 2 | CRIN 3



- 1** - 324.18.170 – POLISHING TOOL TO INTERMEDIATE DISC SEAT - HERRAMIENTA ACABAMIENTO ASIENTO DISCO INTERMEDIARIO
- 2** - 324.61.00 – INTERCHANGEABLE POLISHING TOOL BODY - M26X0.75MM - CUERPO HERRAMIENTA DE POLIR INTERCAMBIABLE - M26X0.75MM
- 3** - 324.09.27 – WRENCH - 12 SIDES - 27.00MM - LLAVE 12 LADOS 27.00MM
- 4** - 324.12.02 – BALL STROKE MEASURING TOOL - CRIN 2/3 INJECTOR - HERRAMIENTA CARRERA DE APERTURA BOLILLA DE VÁLVULA INY CRIN 2/3
- 5** - 324.07.15 – HEX WRENCH 15.00 MM - LLAVE HEX 15.00 MM
- 6** - 324.12.171 – MEASURING TOOL - CRI INJ ELECTRICAL BALL STROKE - HERRAMIENTA CARRERA DE APERTURA BOLILLA ELECT INY CRI
- 7** - 324.13.04 – PULLER TOOL - CRI/CRIN INJECTOR SET VALVE - HERRAMIENTA SACAR JUEGO VÁLVULA INY CRI/CRIN
- 8** - 324.13.02 – TOOL TO APPLY THE ROD RING - CRIN 3 - HERRAMIENTA DE APLICAR O ANILLO BASTON CRIN 3
- 9** - 324.12.06 – DIGITAL INDICATOR GAUGE - STROKE MEASURE - INDICADOR DIGITAL - MEDICIÓN CARRERA DE APERTURA
- 10** - 324.13.01 – TOOL TO PULL THE ROD RING - HERRAMIENTA DE SACAR ANILLO BASTON
- 11** - 324.02.29 – BOX WRENCH 29.00 MM - LLAVE ESTRIADA DE BOCA 29.00 MM
- 12** - 324.13.03 – DEVICE FOR HOUSING VALVE - DISPOSITIVO P/ ALOJAR VÁLVULA
- 13** - 324.12.031 – MEASURING TOOL - DNH NOZZLE NEEDLE STROKE - HERRAMIENTA P/ MEDIR DNH CARRERA DE APERTURA AGUJA DE LA TOBERA
- 14** - 324.03.19 – BOX WRENCH 19.00 MM - LLAVE ESTRIADA 19.00 MM
- 15** - 324.11.12 – MULTI-TOOTHED SOCKET WRENCH - LLAVE DE ENCHUFE MULTIDENTADA
- 16** - 324.12.18 – MEASURING TOOL - INJ BALL CLEARANCE W/ ELECTRONIC ACTIVATION - HERRAMIENTA MEDIR HOLGURA BOLILLA C/ ACTIVACIÓN ELECT INY
- 17** - 324.60.172 – INTERCHANGEABLE TOOL "E" - 17.20MM - PUNTERA INTERCAMBIABLE "E" - 17.20MM
- 18** - 324.60.099 – INTERCHANGEABLE TOOL "B" - 9.90MM - PUNTERA INTERCAMBIABLE "B" - 9.90MM
- 19** - 324.60.093 – INTERCHANGEABLE TOOL "A" - 9.30MM - PUNTERA INTERCAMBIABLE "A" - 9.30MM
- 20** - 324.12.021 – TOOL TO APPLY THE ROD RING - CRIN 2/3 - HERRAMIENTA APLICAR ANILLO BASTON CRIN 2/3

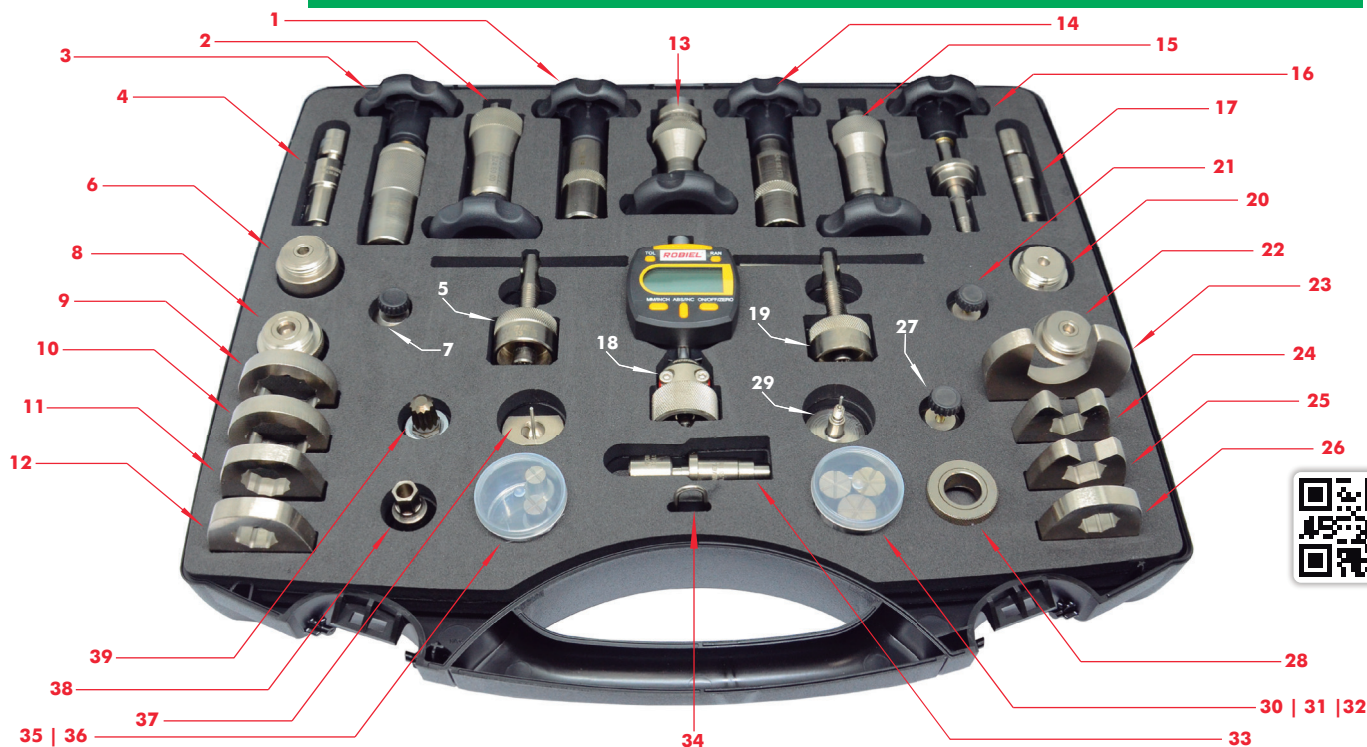
**323.50.091**

**COMMON RAIL PIEZO BOSCH CRI 3.0 - PIEZO DENSO G3.3 INJECTORS TOOL KIT**  
**KIT DE HERRAMIENTAS INYECTORES COMMON RAIL PIEZO BOSCH CRI 3.0 - PIEZO DENSO G3.3**



- 1** - 324.16.011 – TOOL TO PIEZOELECTRICO HYDRAULIC COUPLER CALIBRATION - HERRAMIENTA P/ CALIBRACIÓN ACOPLAMIENTO HIDRÁULICO PIEZOELECTRICO
- 1** - 324.16.012 – PLUNGER - TOOL TO BOSCH PIEZOELECTRICO HYDRAULIC COUPLER CALIBRATION - VARILLA HERR MONTAJE ACOPL HIDRÁULICO PIEZOELECTRICO BOSCH
- 1** - 324.16.013 – PLUNGER - TOOL TO DENSO PIEZOELECTRICO HYDRAULIC COUPLER CALIBRATION - VARILLA HERR MONTAJE ACOPL HIDRÁULICO PIEZOELECTRICO DENSO
- 2** - 324.31.01 – HOLD VALVE - DENSO - VÁLVULA RESTRICTORA SISTEMA DENSO
- 3** - 608.12.10 – WASHER - COPPER - 8.00X12.00X1.00MM - ARANDELA DE COBRE 8.00X12.00X1.00MM
- 4** - 335.05.06 – LOCK - SPRINTER 313 CDI RETURN - BLOQUEO DEL RETORNO SPRINTER 313 CDI
- 5** - 324.07.15 – HEX WRENCH 15.00 MM - LLAVE HEX 15.00 MM
- 6** - 324.07.14 – HEX WRENCH 14.00MM - LLAVE HEX 14.00MM
- 7** - 324.31.02 – HOLD VALVE - BOSCH - VÁLVULA RESTRICTORA SISTEMA BOSCH
- 8** - 324.07.17 – HEX WRENCH 17.00 MM - LLAVE HEX 17.00 MM
- 9** - 324.08.16 – OCTAGONAL WRENCH 16.00 MM - LLAVE OCTOGONAL 16.00 MM

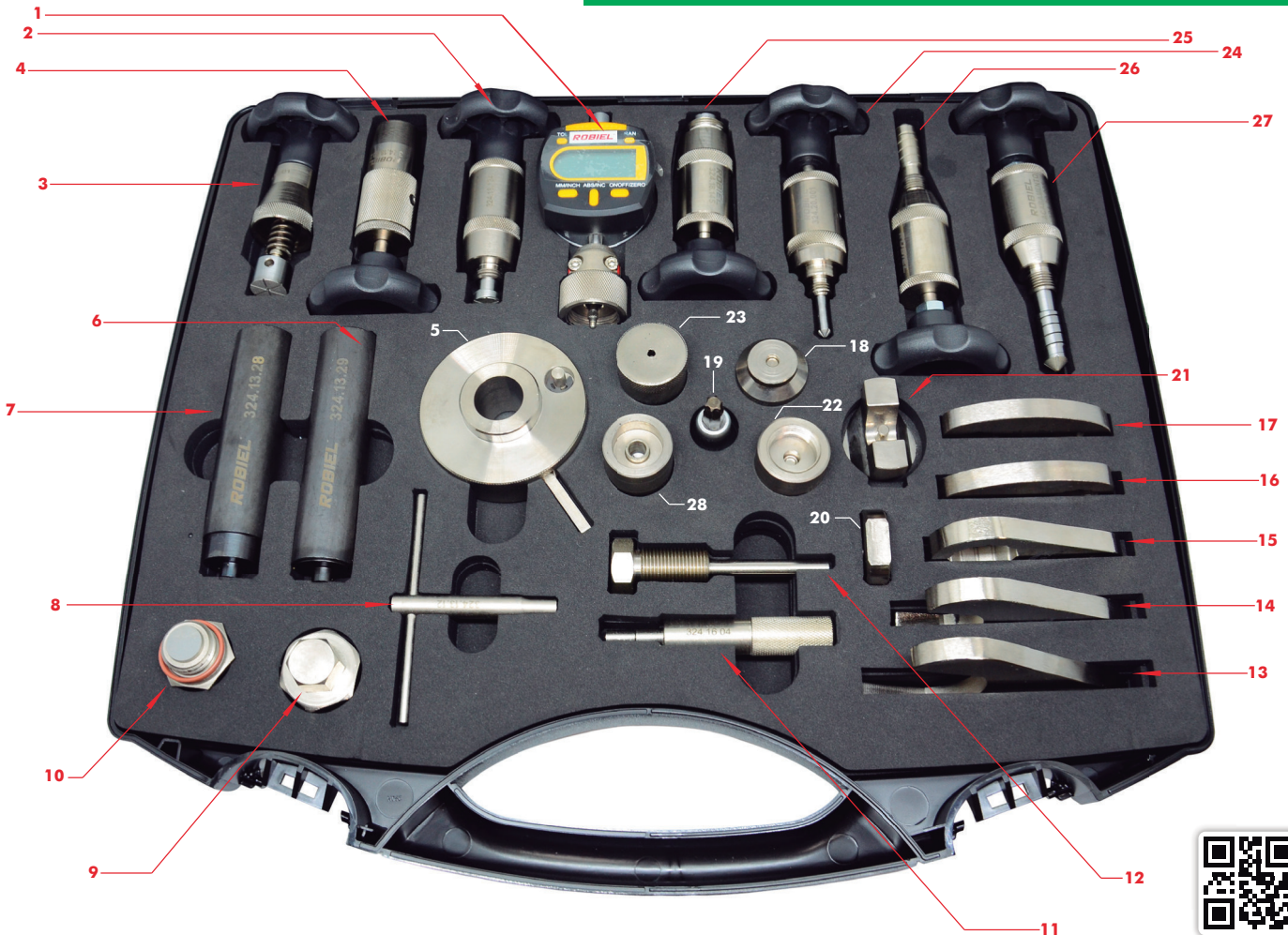
**323.50.102 COMMON RAIL BOSCH CRI 1.0 / 2.0 / 2.1 / 2.2 / CRIN 1 / 1.6 / 2 / 3 INJECTORS TOOL KIT**  
**KIT DE HERRAMIENTAS INYECTORES COMMON RAIL BOSCH CRI 1.0 / 2.0 / 2.1 / 2.2 / CRIN 1 / 1.6 / 2 / 3**



- 1** - 324.18.16 – POLISHING TOOL TO SIEMENS NOZZLE INJECTOR SEAT - HERRAMIENTA ACABAMIENTO ASIENTO TOBERA INYECTOR SIEMENS
- 2** - 324.60.00 – INTERCHANGEABLE POLISHING TOOL BODY - M27X1.00MM - CUERPO HERRAMIENTA DE POLIR INTERCAMBIABLE - M27X1.00MM
- 3** - 324.18.008 – POLISHING TOOL TO BOSCH INJ SEAT M15X0.5 - HERRAMIENTA POLIR ASIENTO PUERTA INYECTOR BOSCH - M15X0.5
- 4** - 324.13.02 – TOOL TO APPLY THE ROD RING - CRIN 3 - HERRAMIENTA DE APLICAR O ANILLO BASTON CRIN 3
- 5** - 324.13.03 – DEVICE FOR HOUSING VALVE - DISPOSITIVO P/ ALOJAR VÁLVULA
- 6** - 324.12.02 – HERRAMIENTA CARRERA DE APERTURA BOLILLA DE VÁLVULA INY CRIN 2/3 - HERRAMIENTA CARRERA DE APERTURA BOLILLA DE VÁLVULA INY CRIN 2/3
- 7** - 324.13.04 – PULLER TOOL - CRI/CRIN INJECTOR SET VALVE - HERRAMIENTA SACAR JUEGO VÁLVULA INY CRI/CRIN
- 8** - 324.12.08 – ADJUSTING TOOL - CRI/CRIN INJ FIELD SHIM - HERRAMIENTA AJUSTE CALZO INDUCTANCIA INY CRIN/CR I
- 9** - 324.09.28 – WRENCH - 12 SIDES - 28.00MM - LLAVE 12 LADOS 28.00MM
- 10** - 324.09.27 – WRENCH - 12 SIDES - 27.00MM - LLAVE 12 LADOS 27.00MM
- 11** - 324.03.19 – BOX WRENCH 19.00 MM - LLAVE ESTRIADA 19.00 MM
- 12** - 324.08.174 – OCTAGONAL WRENCH 17.50 MM - LLAVE OCTOGONAL 17.50 MM
- 13** - 324.18.19 – POLISHING TOOL TO CRI/CRIN INJ SOLENOID INTERNAL SEAT - HERRAMIENTA ACABAMIENTO ASIENTO INTERNO SOLENOIDE INY CRI/CRIN
- 14** - 324.18.170 – POLISHING TOOL TO INTERMEDIATE DISC SEAT- HERRAMIENTA ACABAMIENTO ASIENTO DISCO INTERMEDIARIO
- 15** - 324.61.00 – INTERCHANGEABLE POLISHING TOOL BODY - M26X0.75MM - CUERPO HERRAMIENTA DE POLIR INTERCAMBIABLE - M26X0.75MM
- 16** - 324.13.01 – TOOL TO PULL THE ROD RING - HERRAMIENTA DE SACAR ANILLO BASTON
- 17** - 324.12.021 – TOOL TO APPLY THE ROD RING - CRIN 2/3 - HERRAMIENTA APLICAR ANILLO BASTON CRIN 2/3
- 18** - 324.12.06 – DIGITAL INDICATOR GAUGE - STROKE MEASURE - INDICADOR DIGITAL - MEDICIÓN CARRERA DE APERTURA
- 19** - 324.13.07 – DEVICE FOR HOUSING CRI/CRIN VALVE - DISPOSITIVO P/ ALOJAR VÁLVULA CRI/CR I
- 20** - 324.12.09 – MEASURING TOOL - INJECTOR MICRO-BALL STROKE - HERRAMIENTA CARRERA DE APERTURA MICRO BOLILLA INY
- 21** - 324.13.34 – PULLER TOOL - BOSCH CR VALVE M15X0.50 - HERRAMIENTA SACAR VÁLVULA C.RAIL BOSCH M15X0.50
- 22** - 324.12.031 – MEASURING TOOL - DNH NOZZLE NEEDLE STROKE - HERRAMIENTA P/ MEDIR DNH CARRERA DE APERTURA AGUJA DE LA TOBERA
- 23** - 324.02.29 – BOX WRENCH 29.00 MM - LLAVE ESTRIADA DE BOCA 29.00 MM
- 24** - 324.07.15 – HEX WRENCH 15.00 MM - LLAVE HEX 15.00 MM
- 25** - 324.07.17 – HEX WRENCH 17.00 MM - LLAVE HEX 17.00 MM
- 26** - 324.08.16 – OCTAGONAL WRENCH 16.00 MM - LLAVE OCTOGONAL 16.00 MM
- 27** - 324.13.08 – PULLER TOOL - CRI/CRIN CR VALVE - HERRAMIENTA SACAR VÁLVULA CRAIL CRIN/CR I
- 28** - 324.13.09 – REMOVING TOOL - CRIN INJ PARTS SET ARMATURE BASE PLATE - HERRAMIENTA REMOVER BLOQUEO COGUMELO INYECTOR CRIN
- 29** - 324.12.18 – MEASURING TOOL - INJ BALL CLEARANCE W/ ELECTRONIC ACTIVATION - HERRAMIENTA MEDIR HOLSURA BOLILLA C/ ACTIVACION ELECT INY
- 30** - 324.60.172 – INTERCHANGEABLE TOOL "E" - 17.20MM - PUNTERA INTERCAMBIABLE "E" - 17.20MM
- 31** - 324.60.155 – INTERCHANGEABLE TOOL "D" - 15.50MM - PUNTERA INTERCAMBIABLE "D" - 15.50MM
- 32** - 324.60.147 – INTERCHANGEABLE TOOL "C" - 14.70MM - PUNTERA INTERCAMBIABLE "C" - 14.70MM
- 33** - 324.13.18 – TOOL TO APPLY THE CRI/CRIN ROD RING - HERRAMIENTA APLICAR ANILLO BASTON CRIN / CR I
- 34** - 323.01.93 – ASSEMBLY/ DISASSEMBLY TOOL FOR PARTS SET ARMATURE BASE PLATE - 120 INJ- HERRAMIENTA DESMONTAR/MONTAR VALV COGUMELO 120
- 35** - 324.60.093 – INTERCHANGEABLE TOOL "A" - 9.30MM - PUNTERA INTERCAMBIABLE "A" - 9.30MM
- 36** - 324.60.099 – INTERCHANGEABLE TOOL "B" - 9.90MM - PUNTERA INTERCAMBIABLE "B" - 9.90MM
- 37** - 324.12.171 – MEASURING TOOL - CRI INJ ELECTRICAL BALL STROKE - HERRAMIENTA CARRERA DE APERTURA BOLILLA ELECT INY CRI
- 38** - 324.10.10 – RETAINING BUSHING WRENCH - 248/273 CR VALVE - LLAVE DEL CASQUILLO DE FIJACION VALV CRAIL 248/273
- 39** - 324.11.12 – MULTI-TOOTHED SOCKET WRENCH - LLAVE DE ENCHUFE MULTIDENTADA

**323.50.212**

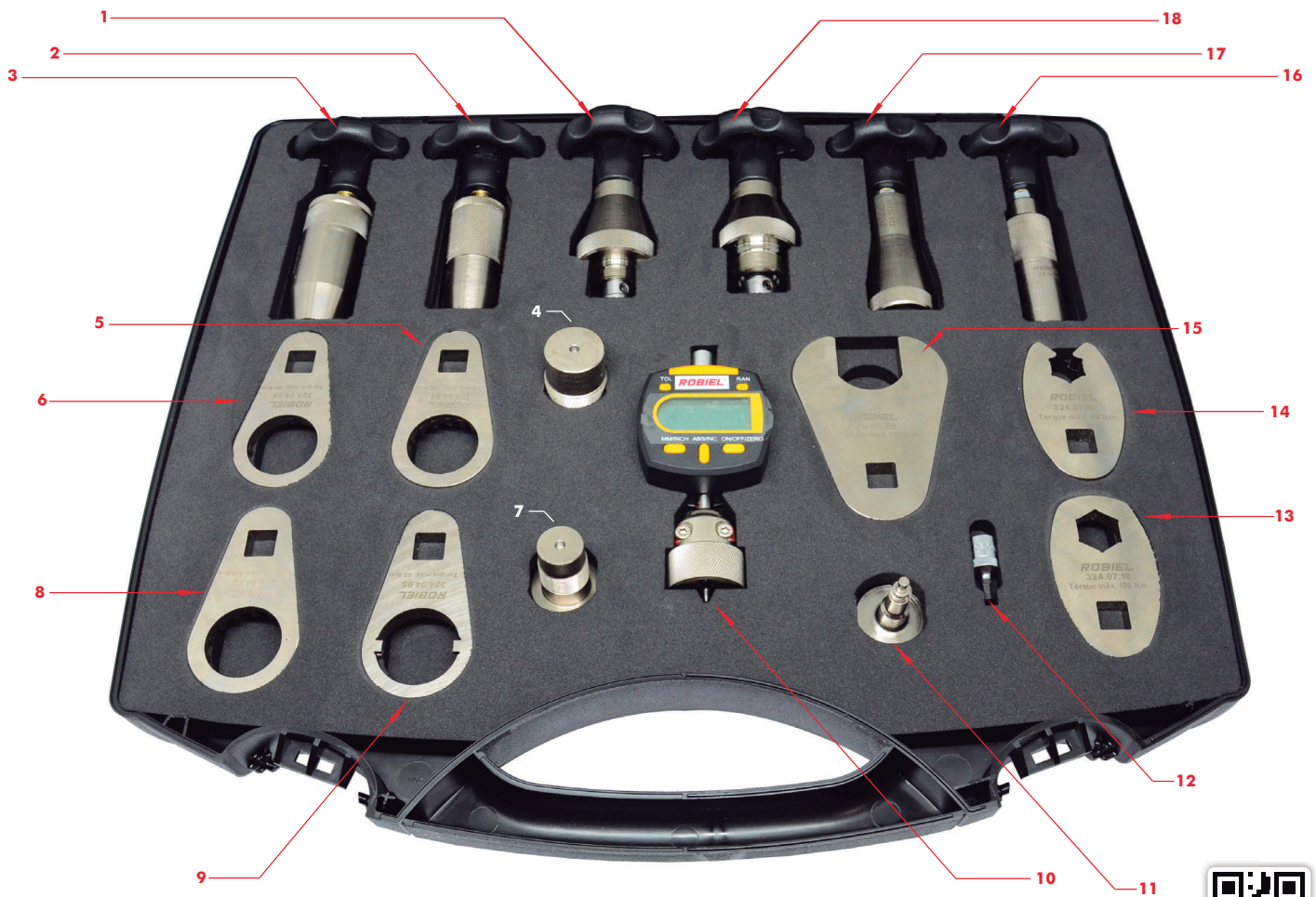
**CATERPILLAR C4 / C6 INJECTOR AND PUMP TOOL KIT  
KIT DE HERRAMIENTAS INYECTORES E BOMBAS CATERPILLAR C4 / C6**



- 1** - 324.12.06 - DIGITAL INDICATOR GAUGE - STROKE MEASURE - INDICADOR DIGITAL - MEDICIÓN CARRERA DE APERTURA
- 2** - 324.20.002 - POLISHING TOOL TO CAT PUMP WEST GATE VALVE SEAT - HERRAMIENTA ACABAMIENTO ASIENTO VALV ALIVIO BBA CAT
- 3** - 324.18.001 - POLISHING TOOL TO CAT CR INJ VALVE SEAT - HERRAMIENTA ACABAMIENTO ASIENTO VALV INY C.RAIL CAT
- 4** - 324.18.002 - POLISHING TOOL TO CAT CR INJ NOZZLE SEAT - HERRAMIENTA ACABAMIENTO ASIENTO TOBERA INY C.RAIL CAT
- 5** - 324.16.02 - TOOL TO POSITION CAT PUMP INJECTION POINT - HERRAMIENTA P/ POSICIONAR PUNTO DE LA BBA CAT
- 6** - 324.13.29 - TOOL TO APPLY RETAINER 10.00X27.00X6.40MM - HERRAMIENTA APLICAR RETEN 10.00X27.00X6.40MM
- 7** - 324.13.28 - TOOL TO APPLY RETAINER 10.00X25.40X6.40MM - HERRAMIENTA APLICAR RETEN 10.00X25.40X6.40MM
- 8** - 324.13.12 - NUT WRENCH - CAT RAIL SOLENOID ARMATURE - LLAVE TUERCA PLACA ATRAQUE SOLENOIDE RAIL CAT
- 9** - 324.04.01 - DEVICE FOR RELEASING VALVE - CAT CR INJ - DISPOSITIVO SOLTAR VÁLVULA INY C.RAIL CAT
- 10** - 324.36.01 - TOOL TO SECLUDE SOLENOID FOR CATERPILLAR PUMP FLOW TEST - HERRAMIENTA DE AISLAR SOLENOIDE PARA PRUEBA DE VACIACIÓN DE LA BOMBA CATERPILLAR
- 11** - 324.16.04 - PIN TO LOCK CAT PUMP COMMAND GEAR - PIN P/ BLOQUEO ENGR DEL MANDO BBA CAT
- 12** - 324.16.03 - PIN TO LOCK CAT PUMP CRANKSHAFT - PIN P/ BLOQUEO DEL CIGUENAL BBA CAT
- 13** - 324.02.46 - BOX WRENCH 46.00 MM - LLAVE ESTRIADA DE BOCA 46.00 MM
- 14** - 324.02.29 - BOX WRENCH 29.00 MM - LLAVE ESTRIADA DE BOCA 29.00 MM
- 15** - 324.09.276 - 12 SIDES WRENCH 27.60MM - LLAVE 12 LADOS 27.60MM
- 16** - 324.07.15 - HEX WRENCH 15.00 MM - LLAVE HEX 15.00 MM
- 17** - 324.03.19 - BOX WRENCH 19.00 MM - LLAVE ESTRIADA 19.00 MM
- 18** - 324.12.031 - MEASURING TOOL - DNH NOZZLE NEEDLE STROKE - HERRAMIENTA P/ MEDIR DNH CARRERA DE APERTURA AGUJA DE LA TOBERA
- 19** - 324.06.45 - PROFILE SOCKET WRENCH - 1/2" TORQUE - LLAVE DE ENCHUFE PERFIL TORX 1/2"
- 20** - 324.13.12 - NUT WRENCH - CAT RAIL SOLENOID ARMATURE - LLAVE TUERCA PLACA ATRAQUE SOLENOIDE RAIL CAT
- 21** - 323.02.021 - MEASURING DEVICE - ARMATURE PLATE LENGTH - DISPOSITIVO MEDIR DISTANCIA PLACAS DE ATRAQUE
- 22** - 324.12.15 - ADJUSTING TOOL - CAT PUMP PRESSURE REGULATOR - HERRAMIENTA AJUSTAR REGULADOR PRESION BBA CAT
- 23** - 324.12.16 - MEASURING DEVICE - CAT RAIL INJ VALVE STROKE - DISPOSITIVO DE CARRERA DE APERTURA VALV INY RAIL CAT
- 24** - 324.20.001 - POLISHING TOOL TO CAT PUMP OUTLET VALVE BUSHING - HERRAMIENTA ACABAMIENTO SEDE VALV SALIDA BBA CAT
- 25** - 324.18.145 - POLISHING TOOL TO CAT PRESSURE REGULATOR VALVE BUSHING - HERRAMIENTA ACABAMIENTO SEDE VALV REGULACION PRESION CAT
- 26** - 324.19.005 - GRINDING TOOL TO CAT PUMP VALVE SEAT - HERRAMIENTA RECTIFICAR ASIENTO VALV BBA CAT
- 27** - 324.20.005 - POLISHING TOOL TO CAT PUMP VALVE SEAT - HERRAMIENTA ACABAMIENTO ASIENTO VALV BBA CAT
- 28** - 324.12.20 - MEASURING TOOL - UNIT AND CAT INJ PLATES DISTANCE - HERRAMIENTA MEDIR DISTANCIA PLACAS UNID E INY CAT

**323.50.38**

**TOOL SET SCANIA AND CUMMINS - XPI/ ISX 15 / ISL / FOTON  
KIT DE REPARACIÓN INYECTORES SCANIA/CUMMINS XPI / ISX 15/ ISL/ FOTON**



- 1** - 324.18.016 - POLISHING TOOL - CUMMINS ISL / FOTON VALVE SEAT - HERRAMIENTA ACABAMIENTO ASIENTO VALVULA CUMMINS ISL/ FOTON
- 2** - 324.18.017 - POLISHING TOOL - CUMMINS ISL / FOTON NOZZLE SEAT - HERRAMIENTA ACABAMIENTO ASIENTO TOBERA CUMMINS ISL / FOTON
- 3** - 324.18.018 - POLISHING TOOL - CUMMINS ISL / FOTON VALVE NUT SEAT - HERRAMIENTA ACABAMIENTO ASIENTO TUERCA VALVULA CUMMINS ISL / FOTON
- 4** - 324.12.28 - STROKE MEASURING TOOL - CUMMINS ISL / FOTON - HERRAMIENTA MEDIR CARRERA DE APERTURA CUMMINS ISL / FOTON
- 5** - 324.04.03 - CUMMINS TOOTHED WRENCH - 16 TEETH - LLAVE DENTADA CUMMINS 16 DIENTES
- 6** - 324.04.02 - CUMMINS TOOTHED WRENCH - 14 TEETH - LLAVE DENTADA CUMMINS 14 DIENTES
- 7** - 324.12.27 - STROKE MEASURING TOOL - CUMMINS ISX - HERRAMIENTA MEDIR CARRERA DE APERTURA CUMMINS ISX
- 8** - 324.04.04 - CUMMINS TOOTHED WRENCH - 4 TEETH - LLAVE DENTADA CUMMINS 4 DIENTES
- 9** - 324.04.05 - CUMMINS TOOTHED WRENCH - 2 TEETH - LLAVE DENTADA CUMMINS 2 DIENTES
- 10** - 324.12.06 - DIGITAL INDICATOR GAUGE - STROKE MEASURE - INDICADOR DIGITAL - MEDICIÓN CARRERA DE APERTURA
- 11** - 324.12.26 - STROKE MEASURING TOOL - CUMMINS ISX / ISL / FOTON - HERRAMIENTA MEDIR CARRERA DE APERTURA CUMMINS ISX / ISL / FOTON
- 12** - 324.38.40 - HEX SOCKET 4.00MM X 1/4 - LLAVE HEXAGONAL 4.00MM X 1/4
- 13** - 324.07.18 - HEX WRENCH 18.00MM - LLAVE HEX 18.00MM
- 14** - 324.07.15 - HEX WRENCH 15.00 MM - LLAVE HEX 15.00 MM
- 15** - 324.02.29 - BOX WRENCH 29.00 MM - LLAVE ESTRIADA DE BOCA 29.00 MM
- 16** - 324.18.015 - POLISHING TOOL - CUMMINS ISX NOZZLE SEAT - HERRAMIENTA ACABAMIENTO ASIENTO TOBERA CUMMINS ISX
- 17** - 324.18.013 - POLISHING TOOL - CUMMINS ISX VALVE NUT SEAT - HERRAMIENTA ACABAMIENTO ASIENTO TUERCA VALVULA CUMMINS ISX
- 18** - 324.18.014 - POLISHING TOOL - CUMMINS ISX VALVE SEAT - HERRAMIENTA ACABAMIENTO ASIENTO VALVULA CUMMINS ISX



**323.50.40**
**TOOL SET - BOSCH CRIN 4.2 INJECTOR**  
**JUEGO DE HERRAMIENTAS INYECTOR BOSCH CRIN 4.2**


- 1** - 324.08.365 - Octogonal wrench 36.50 MM - HERRAMIENTA OCTOGONAL 36.5 MM
- 2** - 324.07.30 - Six sides wrench 30.00 MM - HERRAMIENTA SEIS LADOS 30.00 MM
- 3** - 324.29.310 - Bipartite wrench 31.00 MM - HERRAMIENTA BIPARTIDA 31.00 MM
- 4** - 324.29.260 - Bipartite wrench 26.00 MM - HERRAMIENTA BIPARTIDA 26.00 MM
- 5** - 324.18.021 - Tool to polish internal seat Crin 4.2 - HERRAMIENTA PARA PULIR ASIENTO INTERNO CRIN 4.2
- 6** - 324.18.022 - Tool to polish upper seat Crin 4.2 - HERRAMIENTA PARA PULIR ASIENTO SUPERIOR CRIN 4.2
- 7** - 324.12.06 - Milesimal dial gauge - RELOJ MILESIMAL
- 8** - 324.18.019 - Tool to polish down body seat - HERRAMIENTA PARA PULIR ASIENTO INFERIOR DEL CUERPO CRIN 4.2
- 9** - 324.18.020 - Tool to polish inside down body seat - HERRAMIENTA PARA PULIR PARTE INTERNA INFERIOR DEL CUERPO CRIN 4.2
- 10** - 324.13.161 - Tool to install Crin 4.2 filter - HERRAMIENTA PARA INSTALAR EL FILTRO CRIN 4.2
- 11** - 324.13.43 - Allen bolt to remove Crin 4.2 filter - PERNO PARA REMOVER EL FILTRO CRIN 4.2
- 12** - 324.26.316 - Tool to thread the Crin 4.2 filter - HERRAMIENTA PARA HACER HILOS EN EL FILTRO CRIN 4.2
- 13** - 324.34.050 - Tool to turn the thread Crin 4.2 - HERRAMIENTA PARA GIRAR EL 324.26.316 CRIN 4.2
- 14** - 324.33.006 - Tool to guide the coil pins Crin 4.2 - HERRAMIENTA PARA GUIAR LOS PINES DE LA BOBINA CRIN 4.2
- 15** - 324.13.42 - Tool to guide thread making - M16 x 1.50mm - HERRAMIENTA PARA GUIAR LOS HILOS CRIN 4.2
- 16** - 324.13.421 - Tool to guide allen bolt- M16 x 1.50mm - HERRAMIENTA PARA GUIAR EL PERNO ALLEN CRIN 4.2
- 17** - 324.27.14 - Tool to measure valve stroke and sealing Crin 4.2 SEAT - HERRAMIENTA PARA MEDIR CARRERA Y VACÍO CRIN 4.2

**323.50.33**

**DELPHI EUI SÉRIE A1 / A3 / E1 / E3 - NCV / SCV VALVE TEST KIT**  
 KIT PARA PRUEBA DE LAS VÁLVULAS NCV / SCV UNIDADES DELPHI EUI SERIE A1 / A3 / E1 / E3

\*VOLVO D12A / D12C / D12D / D13A / D13B  
 JOHN DEERE - RENAULT - DETROIT SERIE 60 N3DDE VI  
 CATERPILLAR EUI SERIES



- 1** - 324.27.10 - TOOL TO TEST SEAL/ MEASURE SCV CAT VALVE STROKE - HERRAMIENTA TESTE SELLADO/ MEDIR CARRERA DE APERTURA VALV SCV CAT
- 2** - 324.27.09 - TOOL TO TEST SEAL/ MEASURE SCV A1 VALVE STROKE - HERRAMIENTA TESTE SELLADO/ MEDIR CARRERA DE APERTURA VALV SCV A1
- 3** - 323.02.021 - MEASURING DEVICE - ARMATURE PLATE LENGTH - DISPOSITIVO MEDIR DISTANCIA PLACAS DE ATRAQUE
- 4** - 324.27.07 - TOOL TO TEST SEAL/ MEASURE NCV E3 VALVE STROKE - HERRAMIENTA TESTE SELLADO/ MEDIR CARRERA DE APERTURA VALV NCV E3
- 5** - 324.01.07 - DEVICE FOR SEALING TEST E1 E3 DELPHI UNIT - DISPOSITIVO PARA PRUEBA SELLADO UNID DELPHI E1 E3
- 6** - 324.27.06 - TOOL TO TEST SEAL/ MEASURE SCV E1 VALVE STROKE - HERRAMIENTA TESTE SELLADO/ MEDIR CARRERA DE APERTURA VALV SCV E1
- 7** - 324.27.08 - TOOL TO TEST SEAL/ MEASURE SCV E3 VALVE STROKE - HERRAMIENTA TESTE SELLADO/ MEDIR CARRERA DE APERTURA VALV SCV E3
- 8** - 324.12.06 - DIGITAL INDICATOR GAUGE - STROKE MEASURE - INDICADOR DIGITAL - MEDICIÓN CARRERA DE APERTURA

**323.50.34**

**TOOL SET - CP3 BOSCH PUMP**  
**JUEGO HERRAMIENTA BOMBA BOSCH CP3**



- 1 - 323.02.12 - CLEANING BRUSH - CEPILLO DE LIMPIEZA
- 2 - 323.02.25 - GRINDING TOOL - CP3 PUMP Plunger HOUSING - 7.500MM - HERRAMIENTA RECTIFICAR ALOJAMIENTO BOLILLA BBA CP3 7.500MM
- 3 - 324.21.065 - GRINDING TOOL TO CP3 PUMP Plunger HOUSING - 6.5MM - HERRAMIENTA RECTIFICAR ALOJAMIENTO ELEMENTO BBA CP3 6.5MM
- 4 - 324.17.130 - GRINDING TOOL TO CP3 VALVE SEAT - M18 - HERRAMIENTA RECTIFICAR ASIENTO VALV CP3 - M18
- 5 - 324.17.115 - GRINDING TOOL TO SUCTION VALVE SEAT M16X1.00MM - HERRAMIENTA RECTIFICAR ASIENTO VALV ASPIRACION M16X1.00MM
- 6 - 324.19.015 - GRINDING TOOL TO CP3 PUMP BALL SEAT - M16 - HERRAMIENTA RECTIFICAR ASIENTO BOLILLA DE VALVULA BBA CP3 M16
- 7 - 324.13.39 - DISASSEMBLY TOOL - CP3 PUMP MPROP VALVE - HERRAMIENTA DESMONTAJE VALVULA MPROP BBA CP3
- 8 - 323.01.57 - ASSEMBLY/ DISASSEMBLY TOOL - CP3 PUMP - HERRAMIENTA DESMONTAJE/MONTAJE BBA CP3
- 9 - 323.01.57 - ASSEMBLY/ DISASSEMBLY TOOL - CP3 PUMP - HERRAMIENTA DESMONTAJE/MONTAJE BBA CP3
- 10 - 324.19.0154 - ADAPTER FOR TOOLS 324.19.015 | 324.20.015 - ADAPTADOR PARA HERRAMIENTAS 324.19.015 | 324.20.015
- 11 - 323.01.57 - ASSEMBLY/ DISASSEMBLY TOOL - CP3 PUMP - HERRAMIENTA DESMONTAJE/MONTAJE BBA CP3
- 12 - 323.02.06 - TIGHTEN/ LOOSEN TOOL - CP3 PUMP BOLT - HERRAMIENTA SOLTAR/APERTAR TAPON DE LA BBA CP3
- 13 - 324.19.0153 - ADAPTER FOR TOOLS 324.19.015 | 324.20.015 - ADAPTADOR PARA HERRAMIENTAS 324.19.015 | 324.20.015
- 14 - 323.02.23AB - TOOL TO APPLY BUSHING - SCANIA GEAR PUMP - HERRAMIENTA APLICACION CASQUILLO BBA ENGR SCANIA
- 15 - 323.01.98 - ADJUSTMENT TIP - PUNTA DE AJUSTE
- 16 - 323.02.23GB - TOOL GUIDE - CP3 GEAR PUMP BUSHING REPLACEMENT - HERRAMIENTA GUIA SUSTITUCIÓN CASQUILLO BBA ENGR CP3
- 17 - 323.01.571 - ASSEMBLY/ DISASSEMBLY TOOL - CP3 PUMP EURO 5 - HERRAMIENTA DESMONTAJE/MONTAJE BBA CP3 EURO 5
- 18 - 324.06.50 - WRENCH FOR CP3 OUTLET VALVE BALL - LLAVE P/ TAPON DE LA BOLILLA VALVULA DE SALIDA CP3
- 19 - 324.19.0151 - ADAPTER FOR TOOLS 324.19.015 | 324.20.015 - ADAPTADOR PARA HERRAMIENTAS 324.19.015 | 324.20.015
- 20 - 323.01.571 - ASSEMBLY/ DISASSEMBLY TOOL - CP3 PUMP EURO 5 - HERRAMIENTA DESMONTAJE/MONTAJE BBA CP3 EURO 5
- 21 - 324.19.0152 - ADAPTER FOR TOOLS 324.19.015 | 324.20.015 - ADAPTADOR PARA HERRAMIENTAS 324.19.015 | 324.20.015
- 22 - 323.02.23CB - TOOL TO APPLY BUSHING - CP3 GEAR PUMP - HERRAMIENTA APLICACION CASQUILLO BBA ENGR CP3
- 23 - 323.01.571 - ASSEMBLY/ DISASSEMBLY TOOL - CP3 PUMP EURO 5 - HERRAMIENTA DESMONTAJE/MONTAJE BBA CP3 EURO 5
- 24 - 323.02.23S - BUSHING REPLACEMENT TOOL - CP3 GEAR PUMP - HERRAMIENTA SUSTITUCIÓN CASQUILLO BBA ENGR CP3
- 25 - 323.02.17 - TOOL TO APPLY CP3 HIGH PRESSURE PUMP CAPSULE - 26.00MM - HERRAMIENTA DE APLICAR BBA ALTA PRESION CP3 - 26.00MM
- 26 - 324.20.015 - POLISHING TOOL TO CP3 PUMP BALL SEAT - M16 - HERRAMIENTA ACABAMIENTO ASIENTO BOLILLA DE VALVULA BBA CP3 M16
- 27 - 324.18.115 - POLISHING TOOL TO SUCTION VALVE SEAT M16X1.00MM - HERRAMIENTA ACABAMIENTO ASIENTO VALV ASPIRACION M16X1.00MM
- 28 - 324.18.130 - POLISHING TOOL TO CP3 SUCTION VALVE SEAT - M18 - HERRAMIENTA ACABAMIENTO ASIENTO VALV ASPIRACION CP3 - M18
- 29 - 324.22.065 - POLISHING TOOL TO CP3 PUMP Plunger HOUSING - 6.5MM - HERRAMIENTA ACABAMIENTO ALOJAMIENTO ELEMENTO BBA CP3 6.5MM
- 30 - 323.02.26 - POLISHING TOOL - CP3 PUMP Plunger HOUSING - 7.500MM - HERRAMIENTA ACABAMIENTO ALOJAMIENTO BOLILLA BBA CP3 7.500MM

**323.50.35**

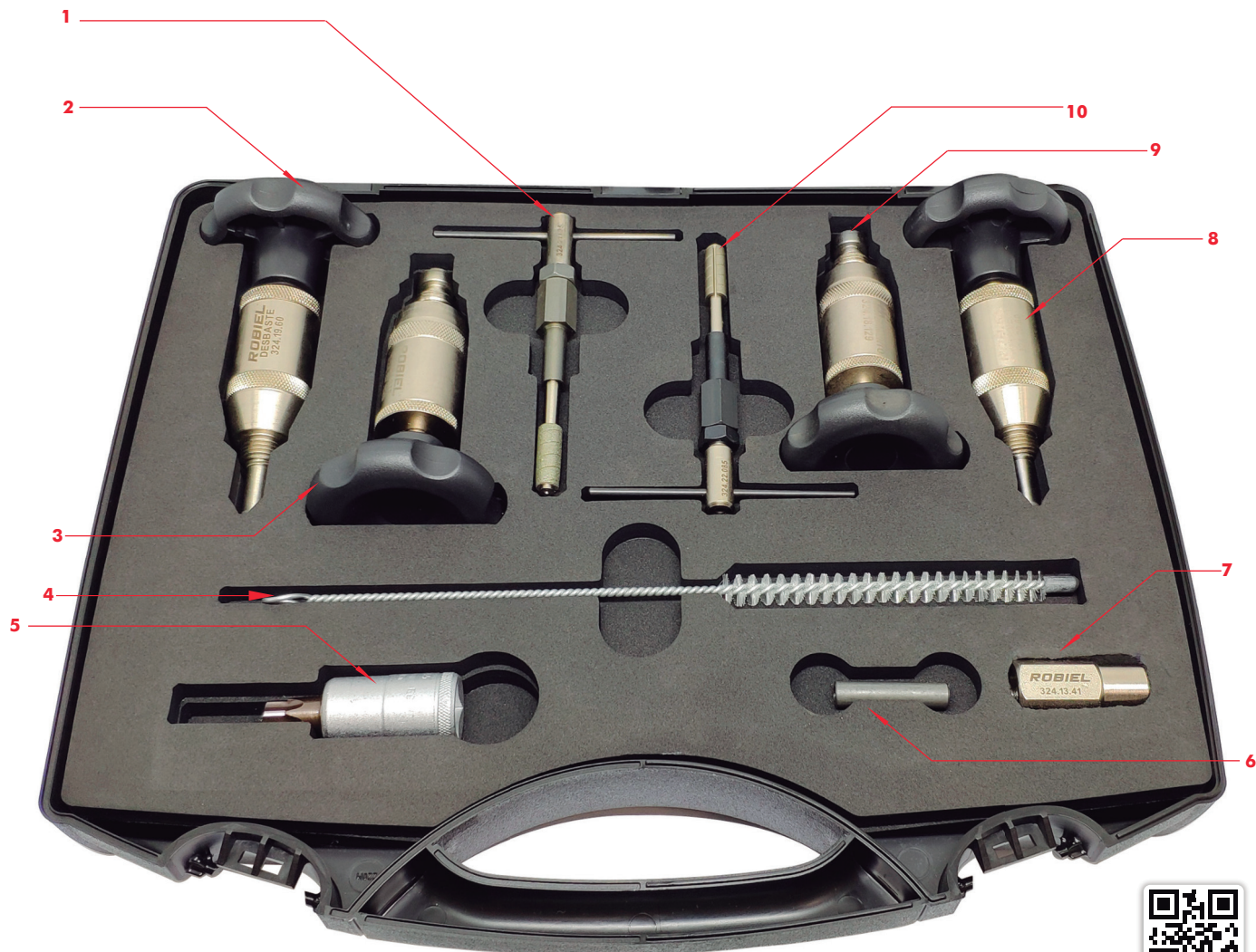
**TOOL SET - CP1H/CP1H3 BOSCH PUMP  
JUEGO HERRAMIENTA BOMBA BOSCH CP1H/CP1H3**



- 1** - 324.13.39 - DISASSEMBLY TOOL - CP3 PUMP MPROP VALVE - HERRAMIENTA DESMONTAJE VALVULA MPROP BBA CP3
- 2** - 324.19.013 - GRINDING TOOL TO CP1H PUMP BALL SEAT - 3.50 MM - HERRAMIENTA RECTIFICAR ASIENTO BOLILLA BBA CP1H - 3.50 MM
- 3** - 324.19.012 - GRINDING TOOL TO CP1H PUMP BALL SEAT - 5.50 MM - HERRAMIENTA RECTIFICAR ASIENTO BOLILLA BBA CP1H - 5.50 MM
- 4** - 323.50.05FB - PULLER - CP1H PUMP CAPSULE - HERRAMIENTA DE SACAR FILTRO BBA CP1H
- 5** - 324.19.011 - GUIDE TOOL TO GRINDING CP1H PUMP BALL SEAT - HERRAMIENTA GUIA RECTIFICAR ASIENTO DE LA BOLILLA BBA CP1H
- 6** - 323.50.05S - PULLER - CP1H PUMP FILTER - HERRAMIENTA DE SACAR CAPSULA BBA CP1H
- 7** - 323.50.05D - TAP WRENCH 5.60MM - GIRAMACHO CUAD. 5.60MM
- 8** - 323.50.05KA - APPLICATOR - CP1H PUMP CAPSULE - APLICADOR CAPSULA BBA CP1H
- 9** - 323.50.05AA - APPLICATOR - CP1H PUMP FILTER - APLICADOR FILTRO BBA CP1H
- 10** - 323.20.063 - TOOL SET - CRIN 2 / 3 INJECTOR - JUEGO HERRAMIENTA INY CRIN 2 / 3
- 11** - 324.20.012 - POLISHING TOOL TO CP1H PUMP BALL SEAT - 5.50MM - HERRAMIENTA ACABAMIENTO ASIENTO BOLILLA BBA CP1H - 5.5MM
- 12** - 324.20.013 - POLISHING TOOL TO CP1H PUMP BALL SEAT - 3.50MM - HERRAMIENTA ACABAMIENTO ASIENTO BOLILLA BBA CP1H - 3.5MM

**323.50.36**

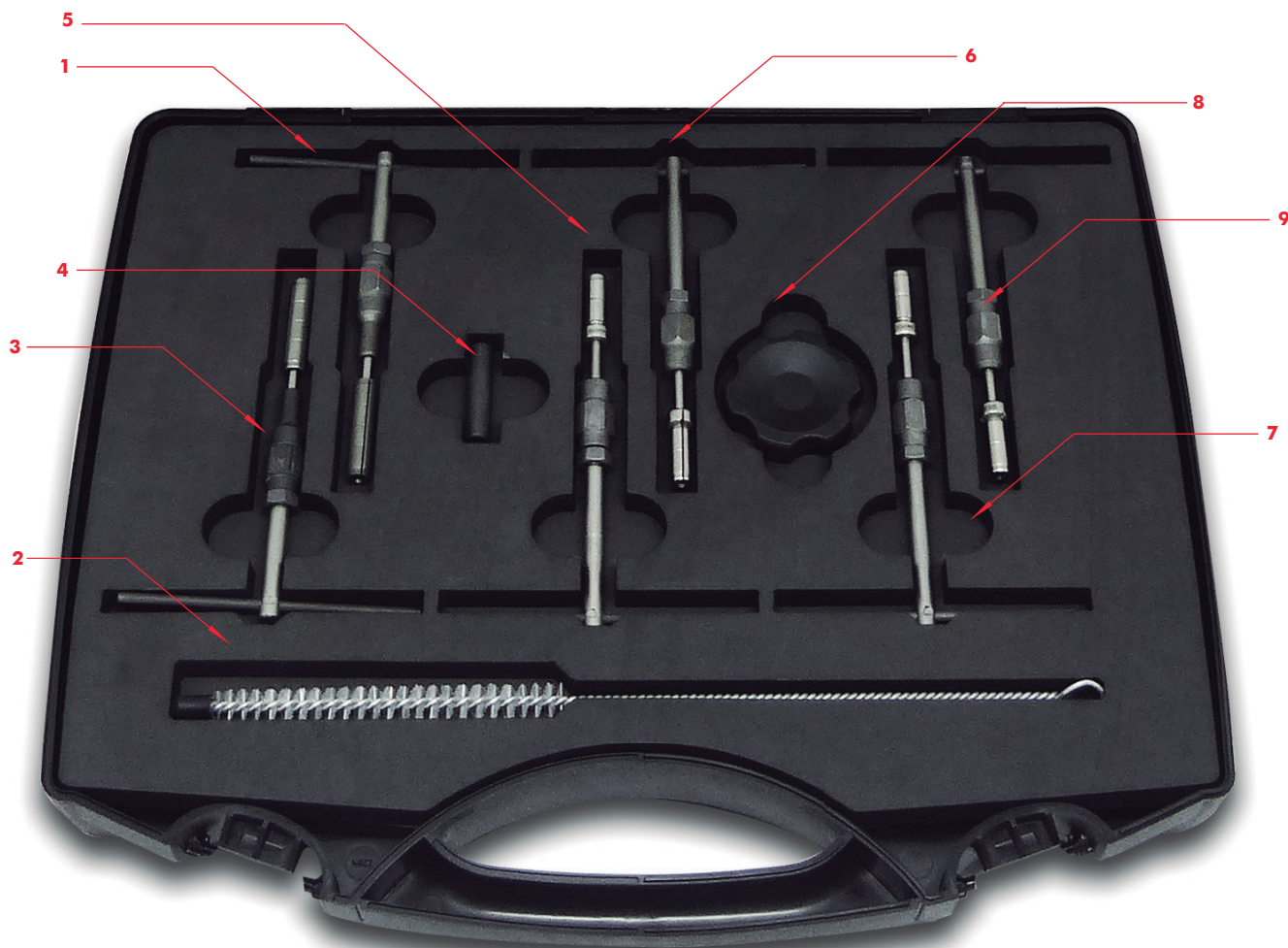
**TOOL SET - DENSO HP3/4 PUMP**  
**JUEGO HERRAMIENTAS BOMBA DENSO HP3/4**



- 1** - 324.21.085 - GRINDING TOOL TO DENSO PUMP Plunger - 8.500MM - HERRAMIENTA RECTIFICAR ELEMENTO BBA DENSO 8.500MM
- 2** - 324.19.60 - GRINDING TOOL TO DENSO HP3/HP4 PUMP BALL SEAT - HERRAMIENTA RECTIFICAR ASIENTO BOLILLA BBA DENSO HP3/HP4
- 3** - 324.17.129 - GRINDING TOOL TO DENSO HP3/HP4 PUMP VALVE SEAT - HERRAMIENTA RECTIFICAR ASIENTO VALV BBA DENSO HP3/HP4
- 4** - 323.02.12 - CLEANING BRUSH - CEPILLO DE LIMPIEZA
- 5** - 323.02.061 - TIGHTEN/ LOOSEN TOOL - DENSO PUMP BOLT - HERRAMIENTA SOLTAR/APERTAR TAPON DE LA BBA DENSO
- 6** - 324.21.080A - ADJUSTMENT TIP - PUNTA DE AJUSTE
- 7** - 324.13.41 - TOOL TO RELEASE LOW PRESSURE VALVE - DENSO PUMP - HERRAMIENTA SOLTAR VALVULA BAJA PRESION BOMBA DENSO
- 8** - 324.20.60 - POLISHING TOOL TO DENSO HP3/HP4 PUMP BALL SEAT - HERRAMIENTA ACABAMIENTO ASIENTO BOLILLA BBA DENSO HP3/HP4
- 9** - 324.18.129 - POLISHING TOOL TO DENSO HP3/HP4 PUMP VALVE SEAT - HERRAMIENTA ACABAMIENTO ASIENTO VALV BBA DENSO HP3/HP4
- 10** - 324.22.085 - POLISHING TOOL TO DENSO PUMP Plunger - 8.500MM - HERRAMIENTA ACABAMIENTO ELEMENTO BBA DENSO 8.500MM

**323.50.041**

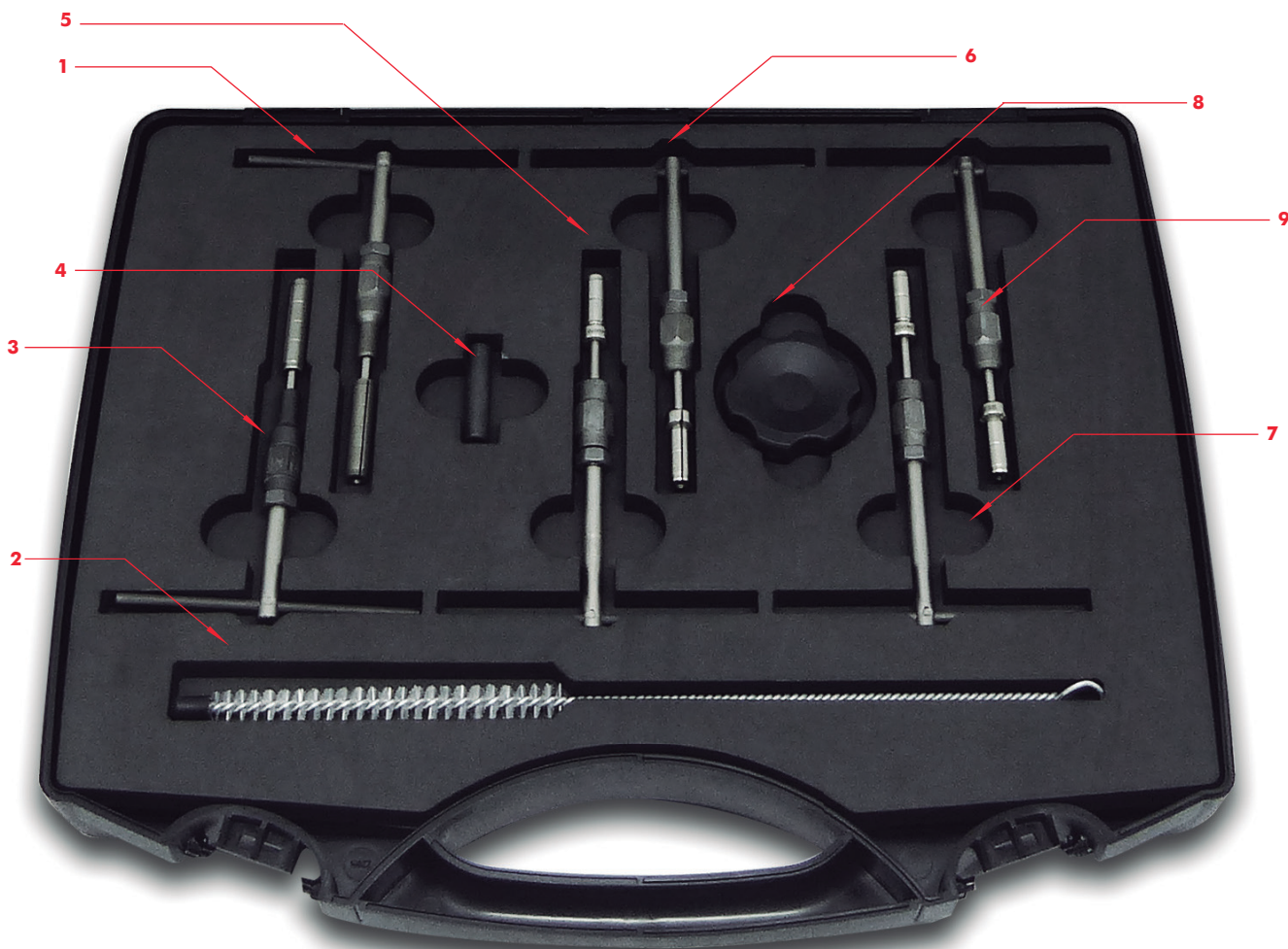
**BOSCH EUI / EUP VALVE CHANGEOVER KIT**  
 KIT DE HERRAMIENTAS UNIDADES BOSCH EUI / EUP - CAMBIO DE VÁLVULA



- 1** - 323.01.98 - HOUSING TOOL - UI/UP VALVE - 7.000 TO 7.030MM - HERRAMIENTA ALOJAMIENTO VALV UI/UP 7.000 A 7.030MM
- 2** - 323.02.12 - CLEANING BRUSH - CEPILLO DE LIMPIEZA
- 3** - 323.02.18 - HOUSING TOOL - UI/UP VALVE - 7.040 A 7.070MM - HERRAMIENTA ALOJAMIENTO VALV UI/UP 7.040 A 7.070MM
- 4** - 323.01.98A - ADJUSTMENT TIP - PUNTA DE AJUSTE
- 5** - 323.02.19 - POLISHING TOOL - UI/UP VALVE SEAT - 7.040 A 7.070MM - HERRAMIENTA ACABAMIENTO ASIENTO VALV UI/UP 7.040 A 7.070MM
- 6** - 323.01.99 - POLISHING TOOL - UI/UP SEAT - 7.000 TO 7.030MM - HERRAMIENTA ACABAMIENTO ASIENTO UI/UP 7.000 A 7.030MM
- 7** - 323.02.20 - GRINDING TOOL - UI/UP VALVE SEAT - 7.040 A 7.070MM - HERRAMIENTA RECTIFICAR ASIENTO VALV UI/UP 7.040 A 7.070MM
- 8** - 323.01.99M - TOOL HANDLE M8 - MANIPULO DE LA HERR M8
- 9** - 323.01.100 - POLISHING TOOL TO CP3 SUCTION VALVE SEAT - M18 - HERRAMIENTA ACABAMIENTO ASIENTO VALV ASPIRACIÓN CP3 - M18

**323.50.043**

**DETROIT EUI 60 SERIE N2DD2 IV - BOSCH EUI / EUP VALVE CHANGEOVER KIT  
KIT DE HERRAMIENTAS UNIDADES DETROIT EUI SERIE 60 N2DD2 IV - BOSCH EUI / EUP - CAMBIO DE VÁLVULA**



**1** - 323.01.98 - HOUSING TOOL - UI/UP VALVE - 7.000 TO 7.030MM - HERRAMIENTA ALOJAMIENTO VALV UI/UP 7.000 A 7.030MM

**2** - 323.02.12 - CLEANING BRUSH - CEPILLO DE LIMPIEZA

**3** - 324.22.001 - GRINDING TOOL TO DETROIT INJ UNIT VALVE HOUSING - HERRAMIENTA RECTIFICAR ALOJAMIENTO VALV UNID INY DETROIT

**4** - 323.01.98A - ADJUSTMENT TIP - PUNTA DE AJUSTE

**5** - 324.20.008 - POLISHING TOOL TO DETROIT INJECTOR UNIT VALVE SEAT - HERRAMIENTA ACABAMIENTO ASIENTO VALV UNID INY DETROIT

**6** - 323.01.99 - POLISHING TOOL - UI/UP SEAT - 7.000 TO 7.030MM - HERRAMIENTA ACABAMIENTO ASIENTO UI/UP 7.000 A 7.030MM

**7** - 324.19.008 - GRINDING TOOL TO DETROIT INJ UNIT VALVE SEAT - HERRAMIENTA RECTIFICAR ASIENTO VALV UNID INY DETROIT

**8** - 323.01.99M - TOOL HANDLE M8 - MANIPULO DE LA HERR M8

**9** - 323.01.100 - POLISHING TOOL TO CP3 SUCTION VALVE SEAT - M18 - HERRAMIENTA ACABAMIENTO ASIENTO VALV ASPIRACIÓN CP3 - M18

**323.50.111**

**BOSCH EUI / EUP UNITS TOOL KIT  
KIT DE HERRAMIENTAS UNIDADES BOSCH EUI / EUP**



- 1** - 323.01.101 - MEASURING DEVICE - SCANIA UNIT VALVE CLEARANCE - DISPOSITIVO MEDIR HOLGURA DE LA VÁLVULA UNID SCANIA
- 2** - 324.07.32 - HEX WRENCH 32.00 MM - LLAVE HEX 32.00 MM
- 3** - 323.01.792 - FIXING TOOL - UP UNIT STEP PLATE - HERRAMIENTA FIJACION DE LA PLACA DE APOYO UNID UP
- 4** - 323.01.151 - NOZZLE TESTER ADAPTER - SCANIA UI/ VOLVO PENTA UNIT - ADAPTADOR PRUEBA TOBERA UNID SCANIA UI/VOLVO PENT
- 5** - 324.07.28 - HEX WRENCH 28.00 MM - LLAVE HEX 28.00 MM
- 6** - 323.02.11 - SEATING TOOL - UI/UP UNIT VALVE - HERRAMIENTA ASIEN TO DE LA VÁLVULA UN UI/UP
- 7** - 324.10.101 - BOLT WRENCH - SCANIA UNIT - LLAVE DEL TAPON UNIDAD SCANIA
- 8** - 323.01.06 - TIP FOR TORQUE WRENCH - MBB ELECTRONICS UNIT SCREW - PUNTERA TORX DEL TORNILLO UNID ELECTR MBB
- 8** - 323.01.11 - TIP FOR TORQUE WRENCH - MBB UNIT SCREW - PUNTERA TORX DEL TORNILLO UNIDAD MBB
- 9** - 323.01.22 - NOZZLE TESTER ADAPTER - IVECO CAVALLINO UNIT - ADAPTADOR PRUEBA TOBERA UNID IVECO CAVALLINO
- 10** - 323.01.221 - NOZZLE TESTER ADAPTER - IVECO EURO 5 UNIT - ADAPTADOR PRUEBA TOBERA UNID IVECO EURO 5
- 11** - 323.01.20 - NOZZLE TESTER ADAPTER - MBB ELETRONICS INJECTOR - ADAPTADOR PRUEBA TOBERA INY MBB ELECTRONICA
- 12** - 324.12.061 - INDICADOR DIGITAL PARA UNIDADES INY - MEDICIÓN CARRERA DE APERTURA - INDICADOR DIGITAL PARA UNIDADES INY - MEDICIÓN CARRERA DE APERTURA
- 13** - 324.08.38 - OCTAGONAL WRENCH 38.00 MM - LLAVE OCTOGONAL 38.00 MM
- 14** - 323.02.021 - MEASURING DEVICE - ARMATURE PLATE LENGTH - DISPOSITIVO MEDIR DISTANCIA PLACAS DE ATRAQUE



**323.50.121**
**DELPHI EUI SÉRIE A1 / A3 / E1 / E3 TOOL KIT  
KIT DE HERRAMIENTAS UNIDADES DELPHI EUI SERIE A1 / A3 / E1 / E3**


- 1** - 323.01.25 - NOZZLE TESTER ADAPTER - VOLVO UI UNIT - ADAPTADOR PRUEBA TOBERA UNID VOLVO UI
- 2** - 324.02.36 - BOX WRENCH 36.00 MM - LLAVE ESTRIADA DE BOCA 36.00 MM
- 3** - 324.17.342 - GRINDING TOOL TO VOLVO DEFLECTOR SEAT - HERRAMIENTA RECTIFICAR ASIENTO DEFLECTOR VOLVO
- 4** - 323.01.66 - NOZZLE TESTER ADAPTER - D13 VOLVO UNIT - ADAPTADOR PRUEBA TOBERA UNID VOLVO D13
- 5** - 324.18.342 - POLISHING TOOL TO VOLVO DEFLECTOR SEAT - HERRAMIENTA ACABAMIENTO ASIENTO DEFLECTOR VOLVO
- 6** - 323.01.671 - NUT WRENCH - VOLVO D12D / D13 NOZZLE - LLAVE DE LA TUERCA DE TOBERA VOLVO D12D / D13
- 7** - 324.33.002 - NUT WRENCH - DELPHI UNIT - LLAVE DE LA TUERCA UNIDAD DELPHI
- 8** - 323.01.48 - NOZZLE TESTER ADAPTER - D12DC VOLVO UNIT - ADAPTADOR PRUEBA TOBERA UNID VOLVO D12DC

**323.50.13**

**BOSCH EUI / EUP - DELPHI EUI SÉRIE A1 / A3 / E1 / E3 TOOL KIT**  
**KIT DE HERRAMIENTAS UNIDADE BOSCH EUI / EUP - DELPHI EUI SERIE A1 / A3 / E1 / E3**



- 1** - 324.17.342 - GRINDING TOOL TO VOLVO DEFLECTOR SEAT - HERRAMIENTA RECTIFICAR ASIENTO DEFLECTOR VOLVO
- 2** - 323.01.671 - NUT WRENCH - VOLVO D12D / D13 NOZZLE - LLAVE DE LA TUERCA DE TOBERA VOLVO D12D / D13
- 3** - 324.18.342 - POLISHING TOOL TO VOLVO DEFLECTOR SEAT - HERRAMIENTA ACABAMIENTO ASIENTO DEFLECTOR VOLVO
- 4** - 324.07.28 - HEX WRENCH 28.00 MM - LLAVE HEX 28.00 MM
- 5** - 324.07.32 - HEX WRENCH 32.00 MM - LLAVE HEX 32.00 MM
- 6** - 324.08.38 - OCTAGONAL WRENCH 38.00 MM - LLAVE OCTOGONAL 38.00 MM
- 7** - 324.33.002 - NUT WRENCH - DELPHI UNIT - LLAVE DE LA TUERCA UNIDAD DELPHI
- 8** - 324.02.36 - BOX WRENCH 36.00 MM - LLAVE ESTRIADA DE BOCA 36.00 MM
- 9** - 323.02.11 - SEATING TOOL - UI/UP UNIT VALVE - HERRAMIENTA ASIENTO DE LA VÁLVULA UN UI/UP
- 10** - 323.01.792 - FIXING TOOL - UP UNIT STEP PLATE - HERRAMIENTA FIJACION DE LA PLACA DE APOYO UNID UP
- 11** - 323.01.22 - NOZZLE TESTER ADAPTER - IVECO CAVALLINO UNIT - ADAPTADOR PRUEBA TOBERA UNID IVECO CAVALLINO
- 12** - 323.01.151 - NOZZLE TESTER ADAPTER - SCANIA UI/ VOLVO PENTA UNIT - ADAPTADOR PRUEBA TOBERA UNID SCANIA UI/VOLVO PENT
- 13** - 323.01.221 - NOZZLE TESTER ADAPTER - IVECO EURO 5 UNIT - ADAPTADOR PRUEBA TOBERA UNID IVECO EURO 5
- 14** - 323.01.25 - NOZZLE TESTER ADAPTER - VOLVO UI UNIT - ADAPTADOR PRUEBA TOBERA UNID VOLVO UI
- 15** - 323.01.66 - NOZZLE TESTER ADAPTER - D13 VOLVO UNIT - ADAPTADOR PRUEBA TOBERA UNID VOLVO D13
- 16** - 323.01.48 - NOZZLE TESTER ADAPTER - D12DC VOLVO UNIT - ADAPTADOR PRUEBA TOBERA UNID VOLVO D12DC
- 17** - 324.10.101 - BOLT WRENCH - SCANIA UNIT - LLAVE DEL TAPON UNIDAD SCANIA
- 18** - 323.01.06 - TIP FOR TORQUE WRENCH - MBB ELECTRONICS UNIT SCREW - PUNTERA TORX DEL TORNILLO UNID ELECTR MBB
- 18** - 323.01.11 - TIP FOR TORQUE WRENCH - MBB UNIT SCREW - PUNTERA TORX DEL TORNILLO UNIDAD MBB
- 19** - 323.02.021 - MEASURING DEVICE - ARMATURE PLATE LENGTH - DISPOSITIVO MEDIR DISTANCIA PLACAS DE ATRAQUE
- 20** - 323.01.20 - NOZZLE TESTER ADAPTER - MBB ELETRONICS INJECTOR - ADAPTADOR PRUEBA TOBERA INY MBB ELECTRONICA
- 21** - 324.12.061 - INDICADOR DIGITAL PARA UNIDADES INY - MEDICIÓN CARRERA DE APERTURA - INDICADOR DIGITAL PARA UNIDADES INY - MEDICIÓN CARRERA DE APERTURA
- 22** - 323.01.101 - MEASURING DEVICE - SCANIA UNIT VALVE CLEARANCE - DISPOSITIVO MEDIR HOLGURA DE LA VÁLVULA UNID SCANIA

**323.50.14**

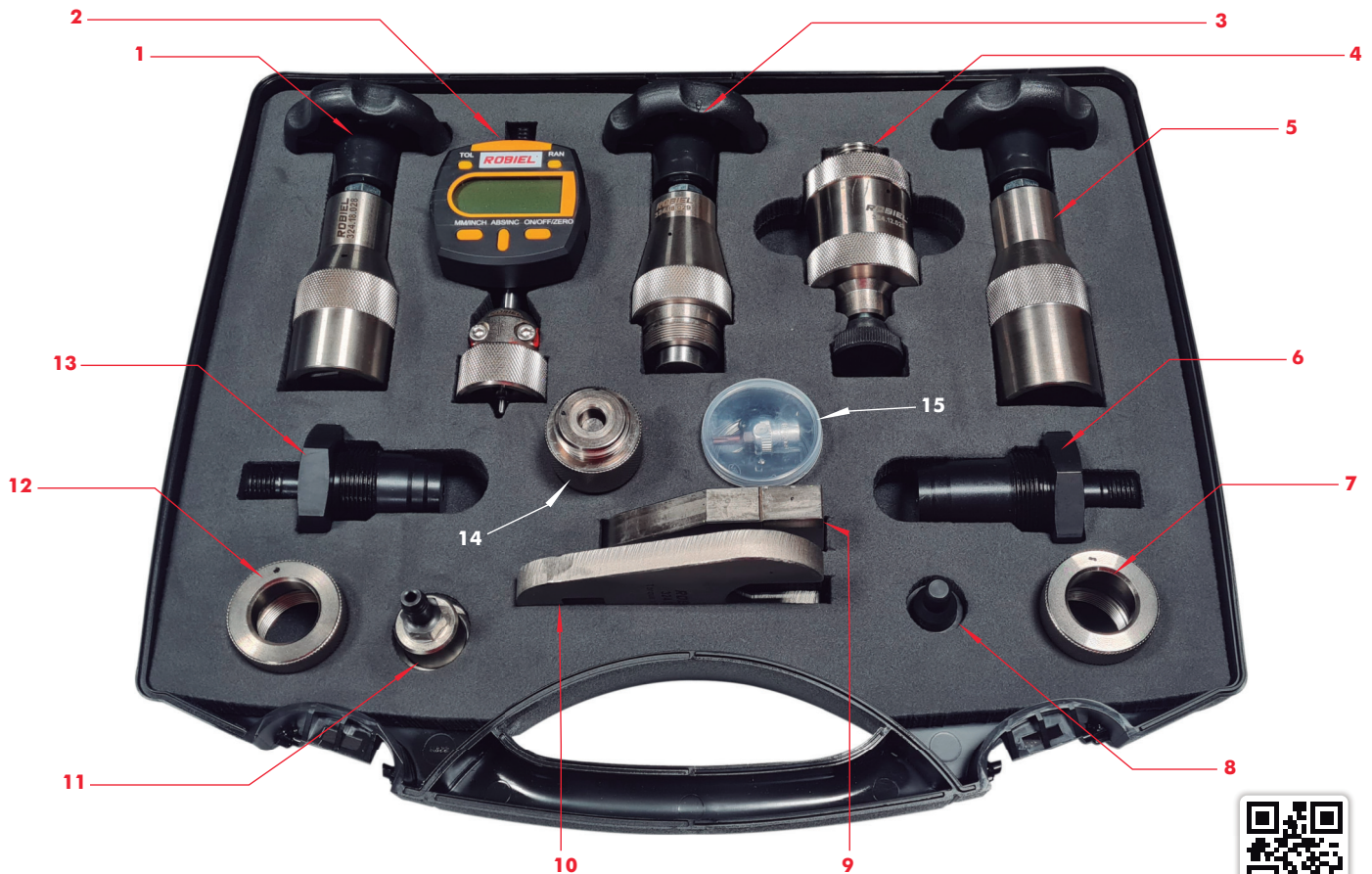
**HPI SCANIA / CUMMINS TOOL KIT**  
KIT DE HERRAMIENTAS UNIDADES HPI SCANIA / CUMMINS



- 1** - 324.13.05 - TOOL TO REMOVE SPRING LOCK - HERRAMIENTA SACAR BLOQUEO DEL RESORTE
- 2** - 324.15.03 - CLAMP SET FOR UNIT HPI - CLIP DEL UNIDAD HPI
- 3** - 324.13.13 - TOOL TO REMOVE UNIT FILTER 34.00 MM- HERRAMIENTA SACAR FILTRO UNIDAD - 34.00 MM
- 4** - 324.13.14 - TOOL TO REMOVE UNIT FILTER 32.00 MM- HERRAMIENTA SACAR FILTRO UNIDAD - 32.00 MM
- 5** - 324.29.315 - WRENCH TOOL TO LOOSE NOZZLE NUT - LLAVE SOLTAR LA TUERCA DE LA TOBERA
- 6** - 324.30.254 - NUT WRENCH - CAT C15 UNIT NOZZLE - LLAVE ESTRIADA DE BOCA 25.40MM PARA RETIRAR LA TUERCA DE FIJACIÓN UNIDAD

**323.50.37**

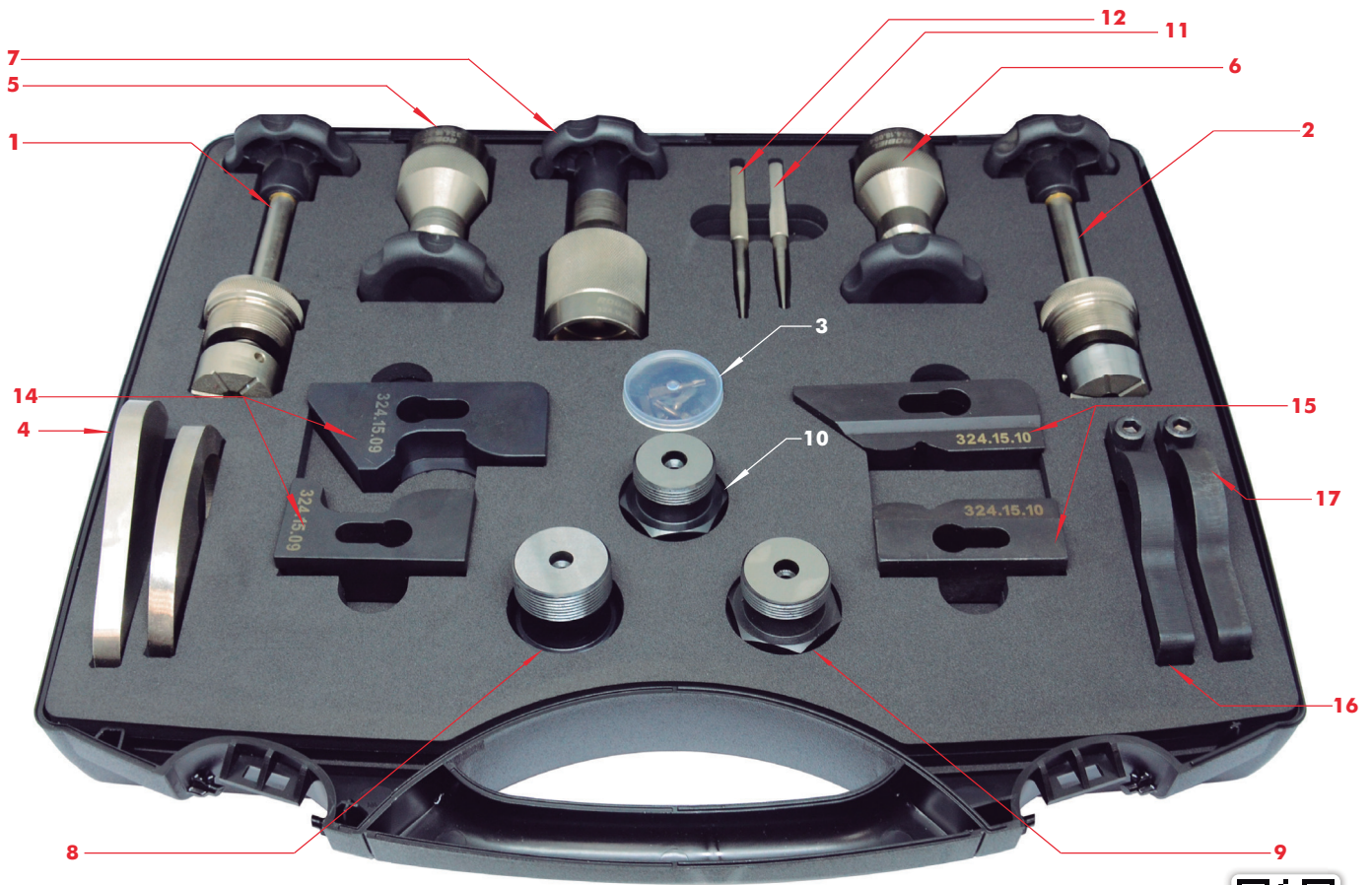
**TOOL SET - CUMMINS M11 / N14 UNIT**  
**JUEGO HERRAMIENTAS UNID CUMMINS M11 / N14**



- 1** - 324.18.028 - POLISHING TOOL FOR CUMMINS N14 VALVE SEAT - HERRAMIENTA LAPIDAR ASSENTO VALV CONTROLE N14
- 2** - 324.12.06 - DIGITAL INDICATOR GAUGE - STROKE MEASURE - INDICADOR DIGITAL - MEDICIÓN CARRERA DE APERTURA
- 3** - 324.18.029 - POLISHING TOOL FOR CUMMINS N14/M11 POPPET VALVE SEAT - HERRAMIENTA ACABAMIENTO ASIENTO DE LA VALVULA POPPET CUMMINS N14
- 4** - 324.12.029 - TOOL TO MEASURE CUMMINS N14/M11 UNIT INJECTOR VALVE - HERRAMIENTA DE MEDIR LA VALVULA UNID CUMMINS N14/M11
- 5** - 324.18.027 - HERRAMIENTA ACABAMIENTO ASIENTO DE LA VALVULA CUMMINS M11 - POLISHING TOOL FOR CUMMINS M11 VALVE SEAT
- 6** - 324.01.16 - NOZZLE TESTER - CUMMINS M11 UNIT INJECTOR - HERRAMIENTA PARA PRUEBA DE LA TOBERA UNID CUMMINS M11
- 7** - 324.28.10 - SEALING TOOL SUPPORT - CUMMINS M11 UNIT INJECTOR - SOPORTE DE LA HERRAMIENTA PARA PRUEBA DE SELLADO - UNIDAD CUMMINS M11
- 8** - 324.01.14 - TESTING TOOL - CUMMINS N14/M11 UNIT INJECTOR SEAL - HERRAMIENTA PARA PRUEBA SELLADO DE LA VALVULA CUMMINS N14/M11
- 9** - 324.29.280 - WRENCH 28.00 MM CUMMINS N14/M11 UNIT INJECTOR - LLAVE 28.00 MM UNIDAD CUMMINS N14/M11
- 10** - 324.02.29 - BOX WRENCH 29,00 MM - LLAVE ESTRIADA DE BOCA 29,00 MM
- 11** - 324.28.09A - TESTING TOOL - CUMMINS N14 UNIT INJECTOR SEAL - HERRAMIENTA PARA PRUEBA SELLADO DE LA VALVULA CUMMINS N14/M11
- 12** - 324.28.09B - SEALING TOOL BODY - CUMMINS M11 UNIT INJECTOR - CUERPO DE LA HERRAMIENTA PARA PRUEBA SELLADO N14/M11
- 13** - 324.01.15 - NOZZLE TESTER - CUMMINS N14 UNIT INJECTOR - HERRAMIENTA PARA PRUEBA DE LA TOBERA UNID CUMMINS N14
- 14** - 324.12.20 - TOOL TO MEASURE UNIT AND CAT INJ PLATES DISTANCE - HERRAMIENTA MEDIR DISTANCIA PLACAS UNID CUMMINS N14/M11
- 15** - 324.06.15 - SOCKET WRENCH GTX 1/4" - ITX20 - T15 - LLAVE DE TUBO GTX 1/4" - ITX20 - T15
- 15** - 420.00.215 - ORING BLACK 2,50X1,50MM - ANILLO ORING NEGRO 2,50X1,50MM

**323.50.221**

**DELPHI EUI / CATERPILLAR EUI C10 / C12 / C15 / C18 / C32 / 3500 SERIES TOOL KIT**  
**KIT DE HERRAMIENTAS UNIDADES DELPHI EUI / CATERPILLAR EUI C10 / C12 / C15 / C18 / C32 / 3500 SERIES**



- 1** - 324.17.342 - GRINDING TOOL TO VOLVO DEFLECTOR SEAT - HERRAMIENTA RECTIFICAR ASIENTO DEFLECTOR VOLVO
- 2** - 324.18.342 - POLISHING TOOL TO VOLVO DEFLECTOR SEAT - HERRAMIENTA ACABAMIENTO ASIENTO DEFLECTOR VOLVO
- 3** - 323.01.11 - TIP FOR TORQUE WRENCH - MBB UNIT SCREW - PUNTERA TORX DEL TORNILLO UNIDAD MBB
- 4** - 324.02.36 - BOX WRENCH 36.00 MM - LLAVE ESTRIADA DE BOCA 36.00 MM
- 5** - 324.18.003 - POLISHING TOOL TO CAT C10 C12 UNIT NOZZLE SEAT - HERRAMIENTA ACABAMIENTO ASIENTO TOBERA UNID CAT C10 C12
- 6** - 324.18.004 - POLISHING TOOL TO CAT C15 UNIT NOZZLE SEAT - HERRAMIENTA ACABAMIENTO ASIENTO TOBERA UNID CAT C15
- 7** - 324.18.005 - POLISHING TOOL TO CAT EUI3500 UNIT NOZZLE SEAT - HERRAMIENTA ACABAMIENTO ASIENTO TOBERA UNID CAT EUI3500
- 8** - 324.01.01 - NOZZLE TESTER ADAPTER - CAT EUI 3500 UNIT - ADAPTADOR PRUEBA TOBERA UNID CAT EUI 3500
- 9** - 324.01.02 - NOZZLE TESTER ADAPTER - CAT C15 UNIT - ADAPTADOR PRUEBA TOBERA UNID CAT C15
- 10** - 324.01.03 - NOZZLE TESTER ADAPTER - CAT C10 / C12 UNIT - ADAPTADOR PRUEBA TOBERA UNID CAT C10 / C12
- 11** - 324.13.30 - PIN TO PULL - PIN PARA SACAR
- 12** - 324.13.31 - PIN TO PULL CAT EUI 3500 UNIT SPRING LOCK - PIN PARA SACAR BLOQUEO DEL RESORTE UN CAT EUI 3500
- 13** - 324.33.003 - PROFILE WRENCH - 1.1/2" - LLAVE PERFIL 1.1/2"
- 14** - 324.15.09 - CLAMP CAT EUI 3500 UNIT - MORDAZA UNIDAD CAT EUI 3500
- 15** - 324.15.10 - CLAMP CAT C15 UNIT - MORDAZA UNIDAD CAT C15
- 16** - 324.29.378 - NUT WRENCH - CAT C10/C12 UNIT NOZZLE - LLAVE DE LA TUERCA TOBERA UNID CAT C10 C12
- 17** - 324.29.385 - NUT WRENCH - CAT C15 UNIT NOZZLE - LLAVE DE LA TUERCA TOBERA UNID CATERPILLAR C15

**323.50.29**

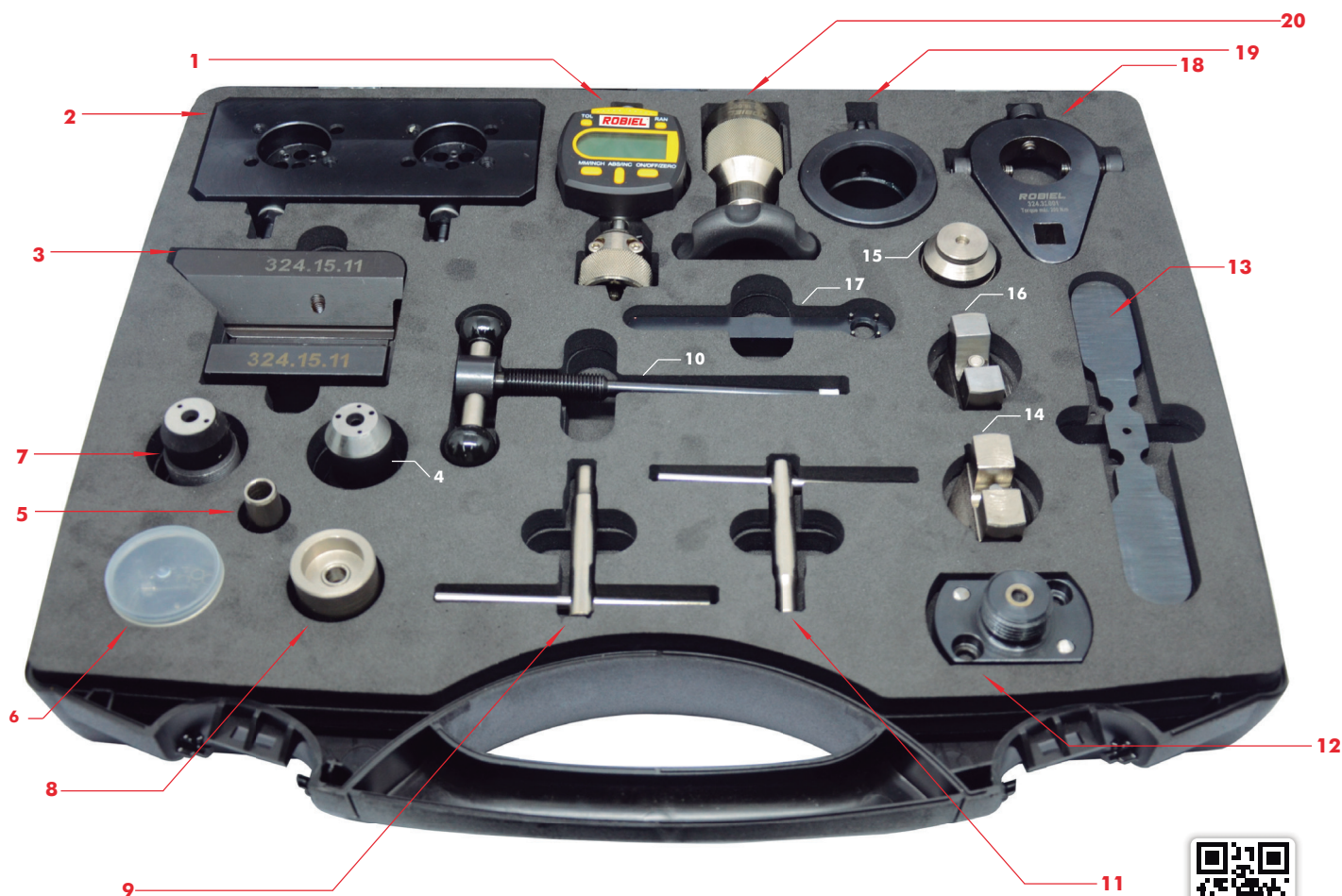
**DETROIT EUI SÉRIE 60 N2DDE IV TOOL KIT**  
**KIT DE HERRAMIENTAS UNIDADES DETROIT EUI SERIE 60 N2DDE IV**



- 1** - 324.22.001 - GRINDING TOOL TO DETROIT INJ UNIT VALVE HOUSING - HERRAMIENTA RECTIFICAR ALOJAMIENTO VALV UNID INY DETROIT
- 2** - 324.20.008 - POLISHING TOOL TO DETROIT INJECTOR UNIT VALVE SEAT - HERRAMIENTA ACABAMIENTO ASIENTO VALV UNID INY DETROIT
- 3** - 324.12.061 - DIGITAL INDICATOR GAUGE FOR UNIT INJ - STROKE MEASURE - INDICADOR DIGITAL PARA UNIDADES INY - MEDICIÓN CARRERA DE APERTURA
- 4** - 323.02.12 - CLEANING BRUSH - CEPILLO DE LIMPIEZA
- 5** - 323.02.021 - MEASURING DEVICE - ARMATURE PLATE LENGTH - DISPOSITIVO MEDIR DISTANCIA PLACAS DE ATRAQUE
- 6** - 324.01.06 - NOZZLE TESTER ADAPTER - DETROIT UNIT - ADAPTADOR PRUEBA TOBERA UNID DETROIT
- 7** - 324.07.27 - HEX WRENCH 27.00 MM - LLAVE HEX 27.00 MM
- 8** - 323.01.98A - ADJUSTMENT TIP - PUNTA DE AJUSTE
- 9** - 323.01.11 - TIP FOR TORQUE WRENCH - UNIT SCREW - PUNTERA TORX DEL TORNILLO UNIDAD
- 9** - 324.38.50 - SOCKET 1/4" X HEX 5.0MM - ENCHUFE 1/4" X HEX 5.0MM
- 10** - 324.12.19 - MEASURING DEVICE - DETROIT UNIT VALVE STROKE - DISPOSITIVO CARRERA DE APERTURA DE LA VÁLVULA UN DETROIT
- 11** - 324.15.12 - CLAMP FOR DETROIT INJECTOR UNIT - MORDAZA UNIDAD INYECTORA DETROIT
- 12** - 323.01.99M - TOOL HANDLE M8 - MANIPULO DE LA HERR M8
- 13** - 324.18.003 - POLISHING TOOL TO UNIT NOZZLE SEAT - HERRAMIENTA ACABAMIENTO ASIENTO TOBERA UNID
- 14** - 324.19.008 - GRINDING TOOL TO DETROIT INJ UNIT VALVE SEAT - HERRAMIENTA RECTIFICAR ASIENTO VALV UNID INY DETROIT

**323.50.261**

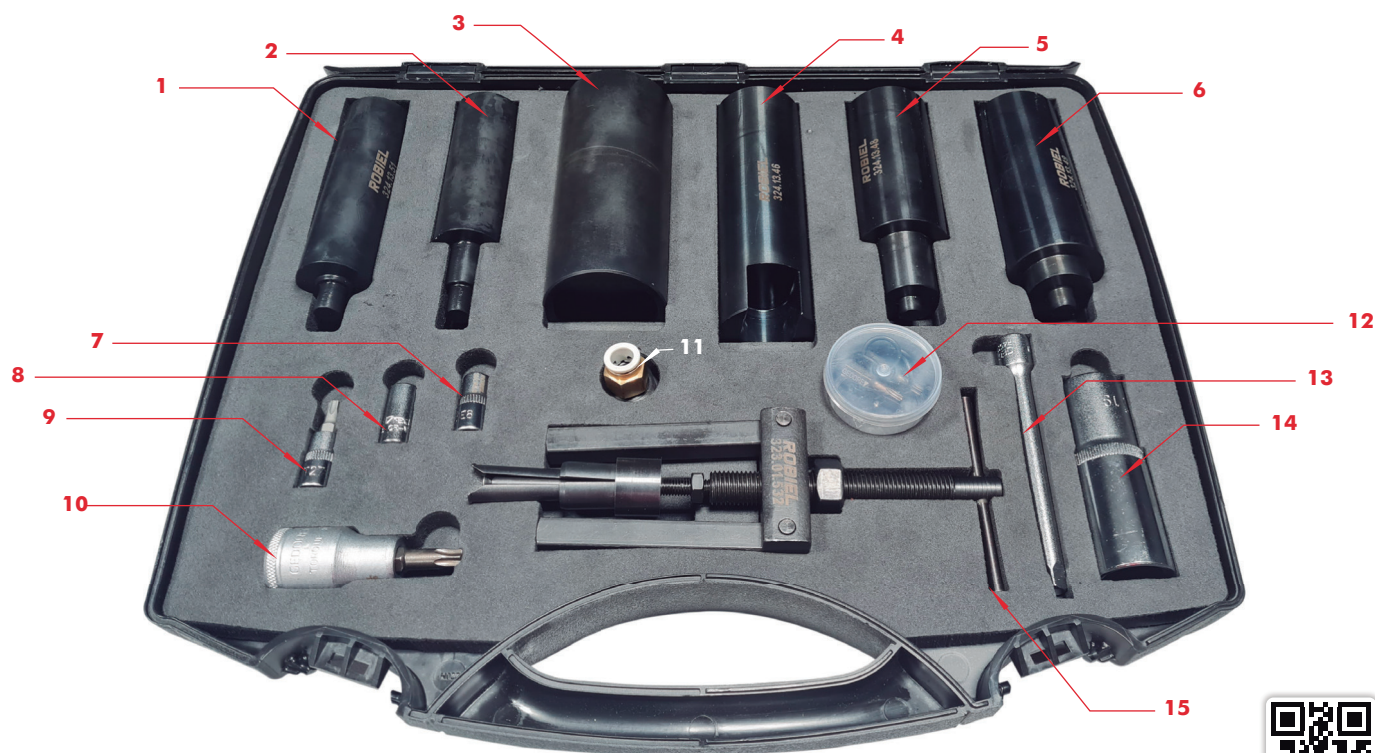
**HEUI CATERPILLAR C7 / C9 / 3126 / NAVISTAR TOOL KIT**  
**KIT DE HERRAMIENTAS UNIDADES HEUI CATERPILLAR C7 / C9 / 3126 / NAVISTAR**



- 1 - 324.12.06 - DIGITAL INDICATOR GAUGE - STROKE MEASURE - INDICADOR DIGITAL - MEDICIÓN CARRERA DE APERTURA
- 2 - 324.28.02 - TOOL TO TEST C7/C9 VALVE SEAL - HERRAMIENTA PARA PROBAR SELLADO VÁLVULA CAT C7/C9
- 3 - 324.15.11 - CLAMP NAVISTAR/CAT UNIT - MORDAZA UNIDAD CAT NAVISTAR
- 4 - 324.01.04 - NOZZLE TESTER ADAPTER - CAT C7/C9 UNIT - ADAPTADOR PRUEBA TOBERA UN CAT C7/C9
- 5 - 324.13.33 - DRIVE RING APPLICATOR - HEUI CATERPILLAR C7 | C9 - APLICADOR ANILLO CAT C7/C9
- 6 - 323.01.11 - TIP FOR TORQUE WRENCH - MBB UNIT SCREW - PUNTERA TORX DEL TORNILLO UNIDAD MBB
- 6 - 250.22.0612 - ALLEN BOLT W/ M6X12MM HEAD - TORNILLO ALLEN C/ CABEZA M6X12MM
- 6 - 420.00.215 - O-RING - ANILLO ORING
- 6 - 324.12.062 - MAGNETIC TIP FOR DIGITAL INDICATOR GAUGE - PUNTERA MAGNETICA PARA INDICADOR DIGITAL
- 6 - 324.06.20 - LOOSEN WRENCH - CAT 3126 SOLENOID SCREWS - LLAVE DE SOLTAR TORNILLOS DEL SOLENOID CAT 3126
- 6 - 324.06.25 - LOOSEN WRENCH - CAT C7/C9 POPPET VALVE SCREWS - LLAVE DE SOLTAR TORNILLOS DE LA VÁLVULA POPPET CAT C7/C9
- 7 - 324.01.05 - NOZZLE TESTER ADAPTER - HEUI CATERPILLAR C7 | C9 NAVISTAR UNIT - ADAPTADOR TESTE DE LA TOBERA - CAT/ NAVISTAR UNID INY
- 8 - 324.12.20 - MEASURING TOOL - UNIT AND CAT INJ PLATES DISTANCE - HERRAMIENTA MEDIR DISTANCIA PLACAS UNID E INY CAT
- 9 - 324.13.35 - WRENCH TO DISASSEMBLE C9 VALVE - HEX 4.00MM - LLAVE PARA DESMONTAR VÁLVULA C9 - HEX 4.00MM
- 10 - 324.15.71 - TOOL ASSEMBLING THE NOZZLE UNIT C7 | C9 | NAVISTAR - HERRAMIENTA PARA MONTAR LA BOQUILLA DE LA UNIDAD C7 | C9 | NAVISTAR
- 11 - 324.13.36 - WRENCH TO DISASSEMBLE C7 VALVE - TORX T10 - LLAVE PARA DESMONTAR VÁLVULA C7 - TORX T10
- 12 - 324.12.21 - MEASURING TOOL - C7/C9 VALVE STROKE - HERRAMIENTA PARA MEDIR CARRERA DE APERTURA VÁLVULA C7/C9
- 13 - 324.13.38 - POSITIONING TOOL - NAVISTAR VALVE - HERRAMIENTA PARA AJUSTE DE POSICIÓN DE LA VÁLVULA NAVISTAR
- 14 - 323.02.021 - MEASURING DEVICE - ARMATURE PLATE LENGTH - DISPOSITIVO MEDIR DISTANCIA PLACAS DE ATRAQUE
- 15 - 324.12.031 - MEASURING TOOL - DNH NOZZLE NEEDLE STROKE - HERRAMIENTA P/ MEDIR DNH CARRERA DE APERTURA AGUJA DE LA TOBERA
- 16 - 324.12.22 - MEASURING DEVICE - 3126/ NAVISTAR VALVE STROKE - HERRAMIENTA PARA MEDIR CARRERA DE APERTURA VÁLVULA 3126 / NAVISTAR
- 17 - 324.13.37 - WRENCH TO DISASSEMBLE C7/C9 VALVE - LLAVE PARA DESMONTAR VÁLVULA C7/C9
- 18 - 324.32.001 - NUT WRENCH - CAT C7/C9/NAVISTAR UNIT NOZZLE - LLAVE DE LA TUERCA TOBERA UNID CAT C7/C9/NAVISTAR
- 19 - 324.28.03 - FERR TESTE DE VACUO NAVISTAR 3126 - HERRAMIENTA PARA PROBAR VACUO NAVISTAR/3126
- 20 - 324.18.007 - POLISHING TOOL TO CAT C7/C9 UNIT VALVE SEAT - HERRAMIENTA ACABAMIENTO ASIENTO VALV UNID CAT C7/C9

**323.50.42**

**TOOL SET - CAT HEUI C7/C9 HIGH PRESSURE PUMP**  
**JUEGO DE HERRAMIENTAS BOMBA CAT HEUI C7/C9**

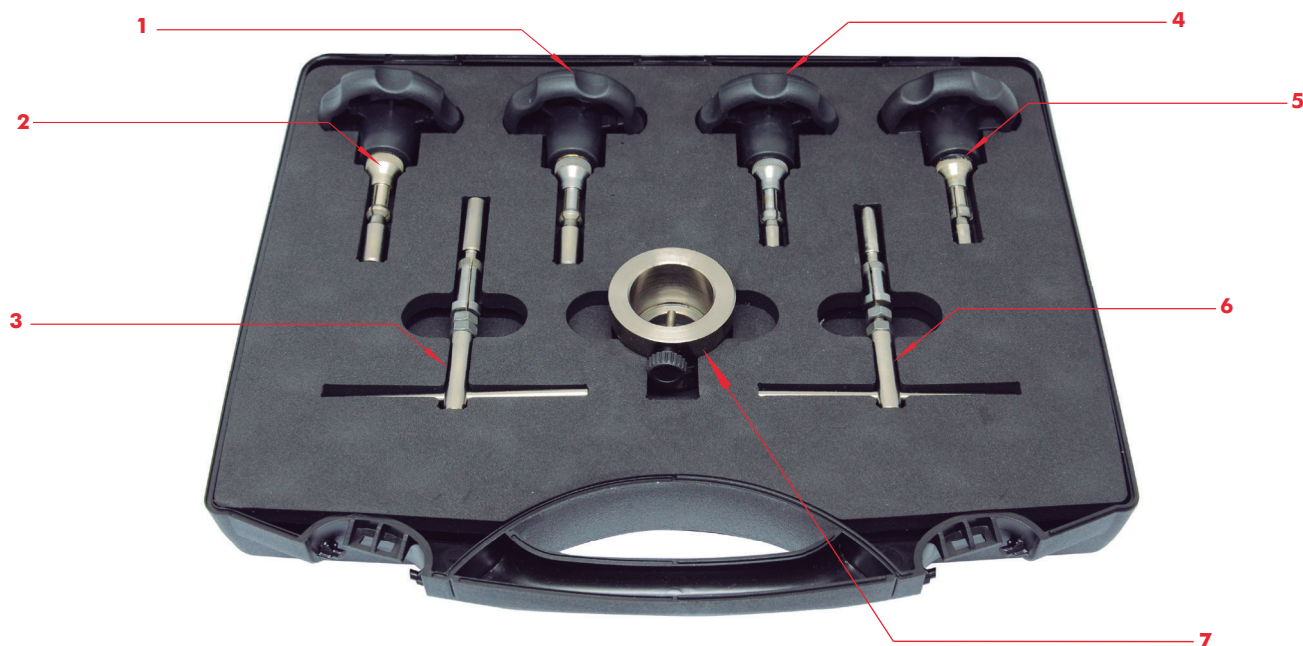


- 1 - 324.13.51 – TOOL TO APPLY THE 2nd CAT HEUI C7/C9 PUMP BEARING - HERRAMIENTA PARA APLICAR EL SEGUNDO RODAMIENTO - BOMBA CAT HEUI C7/C9
- 2 - 324.13.50 – TOOL TO APPLY THE 1st CAT HEUI C7/C9 PUMP BEARING - HERRAMIENTA PARA APLICAR EL PRIMERO RODAMIENTO - BOMBA CAT HEUI C7/C9
- 3 - 324.13.47 – TOOL TO APPLY THE CAT HEUI C7/C9 PUMP O-RING RETAINER - HERRAMIENTA PARA APLICAR EL ANILLO RETENEDOR - BOMBA CAT HEUI C7/C9
- 4 - 324.13.46 – TOOL TO APPLY THE CAT HEUI C7/C9 PUMP COIL - HERRAMIENTA PARA APLICAR BOBINA - BOMBA CAT HEUI C7/C9
- 5 - 324.13.48 – TOOL TO APPLY THE 1st CAT HEUI C7/C9 PUMP RETAINER - HERRAMIENTA PARA APLICAR EL PRIMERO RETEN - BOMBA CAT HEUI C7/C9
- 6 - 324.13.49 – TOOL TO APPLY THE 2nd CAT HEUI C7/C9 PUMP RETAINER - HERRAMIENTA PARA APLICAR EL SEGUNDO RETEN - BOMBA CAT HEUI C7/C9
- 7 - 324.06.08 - TOOL TO ASSEMBLE THE CAT HEUI C7/C9 TRANSFER OIL PUMP COVER - HERRAMIENTA PARA ARMAR LA TAPA - BOMBA DE BAJA PRESIÓN CAT HEUI C7/C9
- 8 - 324.13.44 – SQUARE ADAPTER FOR 1/4" BITS - ADAPTADOR DEL CUADRADO PARA PUNTAS 1/4"
- 9 - 324.06.27 – TOOL TO ASSEMBLE THE CAT HEUI C7/C9 PUMP COVER - HERRAMIENTA PARA ARMAR LA TAPA - BOMBA CAT HEUI C7/C9
- 10 - 324.06.40 – TOOL TO ASSEMBLE THE CAT HEUI C7/C9 TRANSFER OIL PUMP FLANGE - HERRAMIENTA PARA ARMAR LA BRIDA DE FIJACIÓN - BOMBA CAT HEUI C7/C9
- 11 - 324.28.11 – TOOL FOR SEALING TEST - CAT HEUI C7/C9 PUMP - HERRAMIENTA PARA PRUEBA DE ESTANQUIDAD - BOMBA CAT HEUI C7/C9
- 12 - 420.01.017 – O-RING BLACK 10,80X1,78 - ANILLO ORING NEGRO 10,80X1,78
- 12 - 324.06.20 - TOOL TO ASSEMBLE THE CAT HEUI C7/C9 PUMP VALVE - HERRAMIENTA PARA ARMAR LA VALVULA - BOMBA CAT HEUI C7/C9
- 12 - 324.06.25 - HERRAMIENTA PARA ARMAR EL CABEZAL - BOMBA CAT HEUI C7/C9 - HERRAMIENTA PARA ARMAR EL CABEZAL - BOMBA CAT HEUI C7/C9
- 13 - 324.13.45 – EXTENSOR TOOL TO ASSEMBLE THE CAT HEUI C7/C9 PUMP COVER - HERRAMIENTA EXTENSORA PARA ARMAR LA TAPA - BOMBA CAT HEUI C7/C9
- 14 - 324.35.190 - TOOL TO ASSEMBLE THE CAT HEUI C7/C9 PUMP REGULATOR VALVE - HERRAMIENTA PARA ARMAR LA VALVULA REGULACIÓN - BOMBA CAT HEUI C7/C9
- 15 - 323.01.532 - BEARING PULLING ATTACHEMENT - CAT HEUI C7/C9 PUMP - HERRAMIENTA PARA SACAR EL RODAMIENTO - BOMBA CAT HEUI C7/C9



**323.50.231**

**DELPHI EUI SÉRIE A1 / A3 - VOLVO D12A / D12C - CATERPILLAR EUI C10 / C12 / C15 / C18 / C32 / 3500 SERIES TOOL KIT**  
 KIT DE HERRAMIENTAS UNIDADES DELPHI EUI SERIE A1 / A3 - VOLVO D12A / D12C - CATERPILLAR EUI C10 / C12 / C15 / C18 / C32 / 3500 SER



- 1** - 324.19.004 – GRINDING TOOL TO CAT UNIT VALVE SEAT - HERRAMIENTA RECTIFICAR ASIENTO VALV UNID CAT
- 2** - 324.20.004 – POLISHING TOOL TO CAT UNIT VALVE SEAT - HERRAMIENTA ACABAMIENTO ASIENTO VALV UNID CAT
- 3** - 324.22.102 – GRINDING TOOL TO CAT UNIT VALVE HOUSING - HERRAMIENTA RECTIFICAR ALOJAMIENTO VALV UNID CA
- 4** - 324.19.045 – GRINDING TOOL TO VOLVO D12 VALVE SEAT - HERRAMIENTA RECTIFICAR ASIENTO VALV VOLVO D12
- 5** - 324.20.045 – POLISHING TOOL TO VOLVO D12 VALVE SEAT - HERRAMIENTA ACABAMIENTO ASIENTO VALV VOLVO D12
- 6** - 324.22.100 – GRINDING TOOL TO VOLVO D12 UNIT VALVE HOUSING - HERRAMIENTA RECTIFICAR ALOJAMIENTO VALV UNID VOLVO D12
- 7** - 324.12.111 – TOOL TO FIX D12A/C VALVE - HERRAMIENTA PARA FIJAR VÁLVULA D12A/C

**323.50.41**

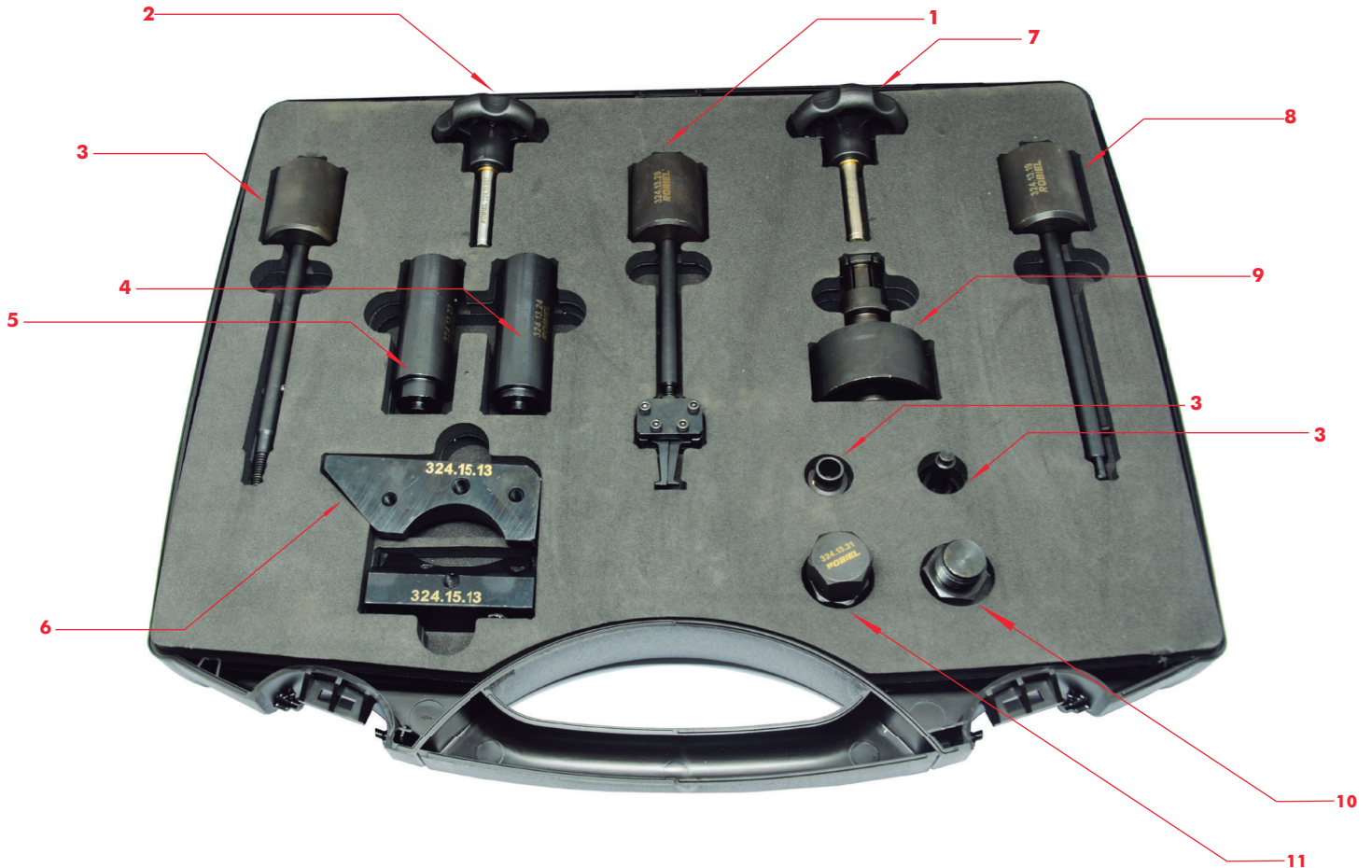
**TOOL SET - DAF MX13 INJECTOR | PUMP  
JUEGO HERRAMIENTA INYECTOR Y BOMBA DAF MX13**



- 1** - 324.17.023 - POLISHING TOOL TO DAF VALVE SEAT UNIT - HERRAMIENTA PARA ACABAMIENTO DEL ASIENTO DE LA UNIDAD DAF
- 2** - 324.17.025 - POLISHING TOOL TO DAF VALVE SEAT UNIT - HERRAMIENTA PARA ACABAMIENTO DEL ASIENTO DE LA UNIDAD DAF
- 3** - 324.27.06 - TOOL TO TEST SEAL/ MEASURE SCV E1 VALVE STROKE - HERRAMIENTA TESTE SELLADO/ MEDIR CARRERA DE APERTURA VALV SCV E1
- 4** - 324.29.360 - WRENCH TO DISASSEMBLE DAF MX13 UNIT - 36.00mm - LLAVE PARA DESMONTAR LA UNIDAD DAF MX13 UNIT - 36.00mm
- 5** - 324.29.210 - WRENCH TO DISASSEMBLE DAF MX13 UNIT - 21.00mm - LLAVE PARA DESMONTAR LA UNIDAD DAF MX13 UNIT - 21.00mm
- 6** - 324.15.16 - CLAMP SET FOR DAF MX13 UNIT - CLIP DE LA UNIDAD DAF MX13
- 7** - 324.27.15 - TOOL TO TEST SEAL / MEASURE DAF MX13 UNIT VALVE STROKE - HERRAMIENTA TESTE SELLADO / MEDIR CARRERA DE APERTURA VALVULA BOMBA DAF MX13
- 8** - 324.17.024 - POLISHING TOOL FOR DAF MX13 INJECTOR - HERRAMIENTA ACABAMIENTO DEL ASIENTO DEL INYECTOR DAF MX13
- 9** - 324.12.08 - FTOL FOR DAF MX13 ADJUSTMENT SHIM INJECTOR - HERRAMIENTA CALZO DE AJUSTE DEL INYECTOR DAF MX13
- 10** - 324.01.13 - NOZZLE TESTER ADAPTER - DAF MX13 INJECTOR - ADAPTADOR TESTE DE LA TOBERA - INYECTOR DAF MX13
- 11** - 324.12.06 - DIGITAL INDICATOR GAUGE - STROKE MEASURE - INDICADOR DIGITAL - MEDICIÓN CARRERA DE APERTURA

**323.50.17**

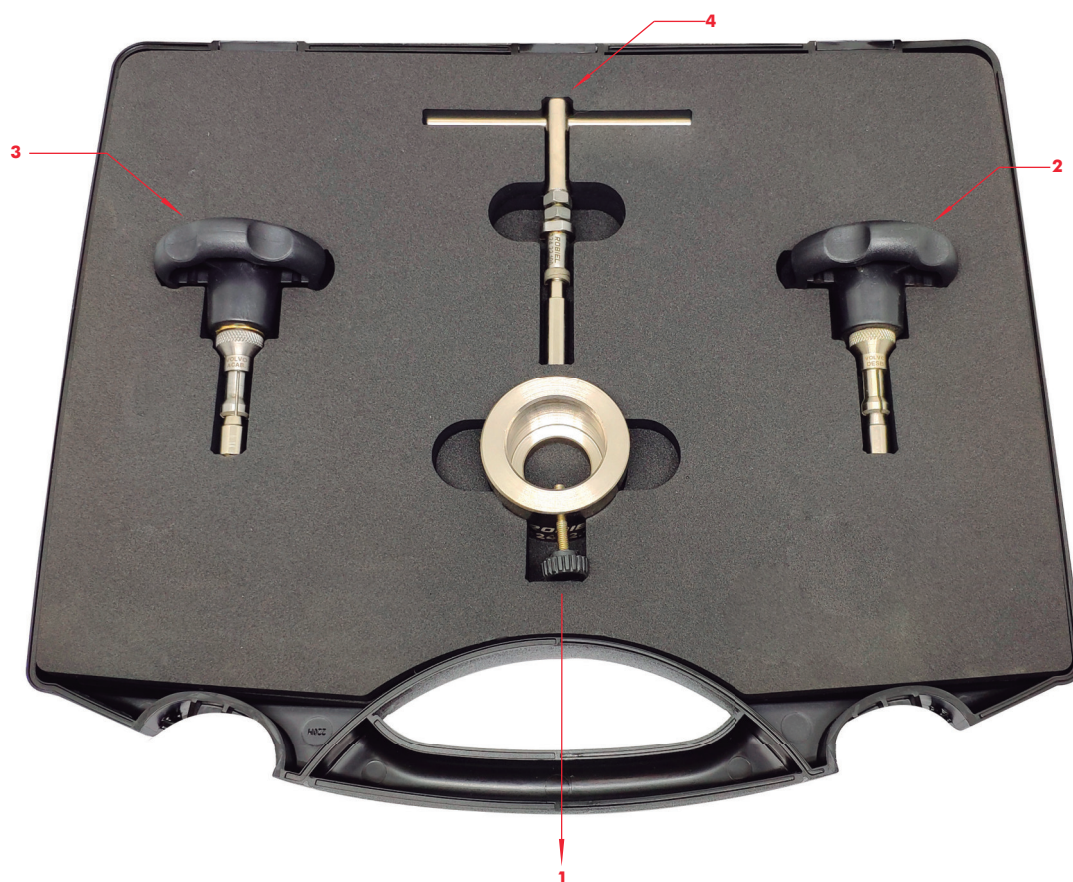
**SCANIA FP / ZP7H / L1S GEAR PUMP TOOL KIT  
KIT DE HERRAMIENTAS BOMBAS ALIMENTACIÓN SCANIA FP / ZP7H / L1S**



- 1** - 324.13.20 – TOOL TO REMOVE SCANIA PUMP SEAL - HERRAMIENTA PARA EXTRAER EL SELLO DE LA BOMBA SCANIA
- 2** - 324.19.007 – GRINDING TOOL TO SCANIA PUMP RUBBER VALVE SEAT - HERRAMIENTA DE ASIENTO DE LA VÁLVULA DE GOMA DE LA BOMBA SCANIA
- 3** - 323.02.23 – BUSHING REPLACEMENT TOOL - CP3 / SCANIA GEAR PUMP - HERRAMIENTA SUSTITUCIÓN CASQUILLO BBA ENGR CP3 / SCANIA
- 4** - 324.13.24 – SCANIA RETAINER APPLICATOR - APLICADOR DE RETENEDOR SCANIA
- 5** - 324.13.23 – SCANIA RETAINER APPLICATOR - APLICADOR DE RETENEDOR SCANIA
- 6** - 324.15.13 – CLAMP SET FOR SCANIA FP/ZP7HL/L1S PUMP - CLIP DE LA BOMBA SCANIA FP/ZP7HL/L1S
- 7** - 324.20.007 – POLISHING TOOL TO SCANIA PUMP RUBBER VALVE SEAT - HERRAMIENTA DE ACABADO DE ASIENTO DE VÁLVULA DE GOMA SCANIA
- 8** - 324.13.19 – TOOL TO REMOVE SCANIA PUMP VALVE - HERRAMIENTA PARA EXTRAER LA VÁLVULA DE LA BOMBA SCANIA
- 9** - 323.01.54 – TOOL TO APPLY THE RETAINER COVER - HERRAMIENTA APLICAR TAPA DEL RETEN
- 10** - 324.13.21 – TOOL TO REMOVE SCANIA PUMP PLUG - HERRAMIENTA PARA EXTRAER EL TAPÓN DE LA BOMBA SCANIA
- 11** - 324.13.22 – SCANIA VALVE APPLICATOR - APLICADOR DE VÁLVULA SCANIA

**323.50.191**

**DELPHI EUI SÉRIE A1 / A3 - VOLVO D12A / D12C - RENAULT / JOHN DEERE TOOL KIT**  
**KIT DE HERRAMIENTAS UNIDADES DELPHI EUI SERIE A1 / A3 - VOLVO D12A / D12C - RENAULT / JOHN DEERE**



**1** - 324.12.111 - TOOL TO FIX D12A/C VALVE - HERRAMIENTA PARA FIJAR VÁLVULA D12A/C

**2** - 324.19.045 - GRINDING TOOL TO VOLVO D12 VALVE SEAT - HERRAMIENTA RECTIFICAR ASIENTO VALV VOLVO D12

**3** - 324.20.045 - POLISHING TOOL TO VOLVO D12 VALVE SEAT - HERRAMIENTA ACABAMIENTO ASIENTO VALV VOLVO D12

**4** - 324.22.100 - GRINDING TOOL TO VOLVO D12 UNIT VALVE HOUSING - HERRAMIENTA RECTIFICAR ALOJAMIENTO VALV UNID VOLVO D12

USE YOUR SMARTPHONE CAMERA TO SCAN THE **QR CODE** AND ACCESS MORE **TECHNICAL INFORMATION** FROM OUR PRODUCTS IN **ROBIEL** APP.

USE LA CÁMARA DE SU TELÉFONO PARA ESCANEAR EL **CÓDIGO QR** Y OBTENER MÁS **INFORMACIONES TÉCNICAS** SOBRE LOS PRODUCTOS EN NUESTRA APLICACIÓN **ROBIEL**.

**DOWNLOAD OUR NEW APP**  
DESCARGUE NUESTRA NUEVA APLICACIÓN



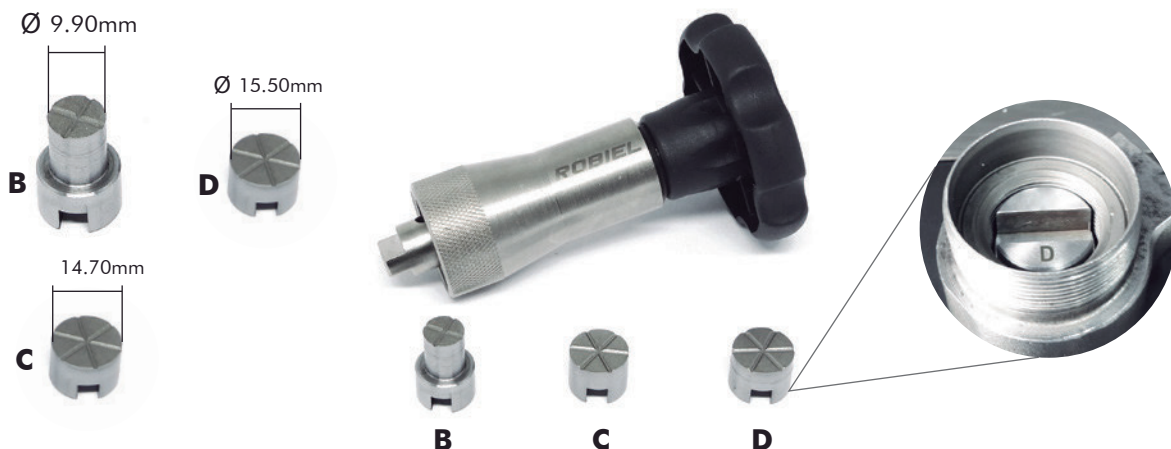
# ROBIEL®

INTERCHANGEABLE TOOLS WITH THE TIPS  
HERRAMIENTAS Y PUNTAS DE LAPIDACIÓN

# 324.60.01

M27 X 1.00mm

## INTERCHANGEABLE TOOL TO POLISH CRI/CRIN VALVE SEAT HERRAMIENTA INTER. P/ ACABAMIENTO ASIENTO VALV CRI/CRIN



### Interchangeable Tips for Replacement - Puntas de Lapidación para Reemplazo

ITEM	ROBIEL CODE	DESCRIPTION	APPLICATION	DIAMETER Ø	PACK
<b>B</b>	<b>324.60.099</b>	INTERCHANGEABLE TOOL "B" - 9.90MM - PUNTERA INTERCAMBIABLE "B"- 9.90MM	CRI   CRIN1	9.90mm	01 un.
<b>C</b>	<b>324.60.147</b>	INTERCHANGEABLE TOOL "C" - 14.70MM - PUNTERA INTERCAMBIABLE "C"- 14.70MM	CRI   CRIN1	14.70mm	01 un.
<b>D</b>	<b>324.60.155</b>	INTERCHANGEABLE TOOL "D" - 15.50MM - PUNTERA INTERCAMBIABLE "D"- 15.50MM	CRI   CRIN1	15.50mm	01 un.

# 324.61.01

M26 X 0.75mm

## INTERCHANGEABLE TOOL TO POLISH CRIN 2/3 VALVE SEAT HERRAMIENTA INTERCAMBIABLE P/ ACABAMIENTO ASIENTO VALV CRIN 2/3



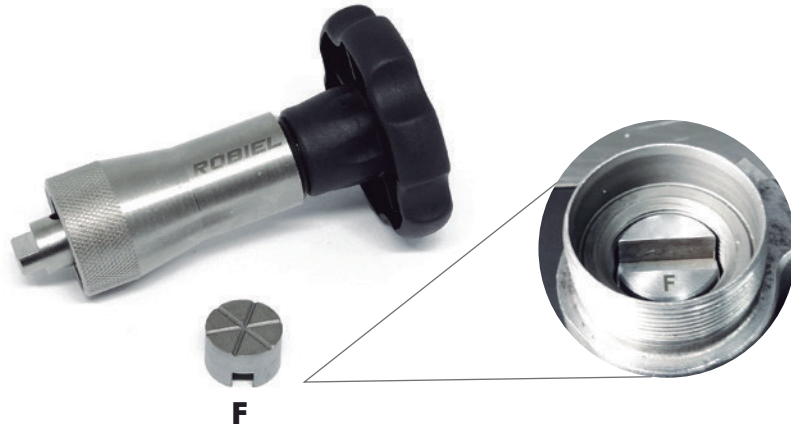
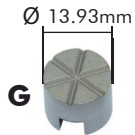
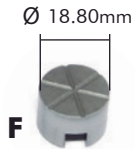
### Interchangeable Tips for Replacement - Puntas de Lapidación para Reemplazo

ITEM	ROBIEL CODE	DESCRIPTION	APPLICATION	DIAMETER Ø	PACK
<b>A</b>	<b>324.60.093</b>	INTERCHANGEABLE TOOL "A" - 9.30MM - PUNTERA INTERCAMBIABLE "A"- 9.30MM	CRIN 3	9.30mm	01 un.
<b>B</b>	<b>324.60.099</b>	INTERCHANGEABLE TOOL "B" - 9.90MM - PUNTERA INTERCAMBIABLE "B"- 9.90MM	CRIN 2	9.90mm	01 un.
<b>E</b>	<b>324.60.172</b>	INTERCHANGEABLE TOOL "E" - 17.20MM - PUNTERA INTERCAMBIABLE "E"- 17.20MM	CRIN 2 3	17.20mm	01 un.

**324.62.02**

M26 X 0.50mm

**INTERCHANGEABLE TOOL TO POLISH DENSO VALVE SEAT**  
**HERRAMIENTA INTERCAMBIABLE P/ ACABAMIENTO ASIENTO VALV DENSO**



**Interchangeable Tips for Replacement - Puntas de Lapidación para Reemplazo**

ITEM	ROBIEL CODE	DESCRIPTION	APPLICATION	DIAMETER Ø	PACK
<b>F</b>	<b>324.60.188</b>	INTERCHANGEABLE TOOL "F" - 18.80MM - PUNTERA INTERCAMBIABLE "F"- 18.80MM	DENSO	18.80mm	01 un.
<b>G</b>	<b>324.60.139</b>	INTERCHANGEABLE TOOL "G" - 13.93MM - PUNTERA INTERCAMBIABLE "G"- 13.93MM	DENSO	13.93mm	01 un.

**POLISHING TOOL TO CAT C7/C9 UNIT SPOOL VALVE HOUSING**  
**HERRAMIENTA ACABAMIENTO ALOJAMIENTO VALVULA SPOOL UNID CAT C7/C9**

324.44.040



324.44.041



ROBIEL CODE	APPLICATION	DIAMETER	TIP	PACK	INCLUDED IN THE KITS
<b>324.44.040</b>	C7   C9	10.000mm	-	01 pç.	-
<b>324.44.041</b>	C7   C9	10.010mm	-	01 pç.	-

**GRINDING TOOL TO CP3 SUCTION VALVE SEAT HERRAMIENTA RECTIFICAR ASIENTO VALV ASPIRACIÓN CP3**

324.17.115



324.17.130



ROBIEL CODE	APPLICATION	SCREW	TIP	PACK	INCLUDED IN THE KITS
324.17.115	PUMP CP3/HS3	M16x1.0	324.17.1151	01 un.	-
324.17.130	PUMP CP3	M18x1.5	324.17.1301	01 un.	-



**POLISHING TOOL TO CP3 SUCTION VALVE SEAT HERRAMIENTA ACABAMIENTO ASIENTO VALV ASPIRACIÓN CP3**

324.18.115



324.18.130



ROBIEL CODE	APPLICATION	SCREW	TIP	PACK	INCLUDED IN THE KITS
324.18.115	PUMP CP3/HS3	M16x1.0	324.18.1151	01 un.	-
324.18.130	PUMP CP3	M18x1.5	324.18.1301	01 un.	-





TOOLS FOR BODY REPAIR OF UI | UP UNITS HERRAMIENTAS PARA LA REPARACIÓN DE CUERPO DE UI | UP UNITS

323.01.98



323.02.18



**RECTIFY RECTIFICAR**

ROBIEL CODE	VALVE Ø	TIP	PACK	INCLUDED IN THE KITS
<b>323.01.98</b>	7.000 to 7.030	<b>323.01.98D</b>	01 un.	323.50.041   323.50.043
<b>323.02.18</b>	7.040 to 7.070	<b>323.02.18D</b>	01 un.	323.50.041   323.50.043



323.01.99



323.02.19



**POLISHING ACABAMIENTO**

ROBIEL CODE	VALVE Ø	TIP	PACK	INCLUDED IN THE KITS
<b>323.01.99</b>	7.000 to 7.030	<b>323.01.99D</b>	01 un.	323.50.041   323.50.043
<b>323.02.19</b>	7.040 to 7.070	<b>323.02.19D</b>	01 un.	323.50.041   323.50.043



323.01.100



323.02.20



**GRINDING RECTIFICAR**

ROBIEL CODE	VALVE Ø	TIP	PACK	INCLUDED IN THE KITS
<b>323.01.100</b>	7.000 to 7.030	<b>323.01.100D</b>	01 un.	323.50.041   323.50.043
<b>323.02.20</b>	7.040 to 7.070	<b>323.02.20D</b>	01 un.	323.50.041   323.50.043



ALL TOOLS MUST BE APPLIED WITH CUTTING OIL 323.02.13  
TODAS LAS HERRAMIENTAS DEBEN SER APLICADAS CON ACEITE DE CORTE 323.02.13



**GRINDING TOOL TO CP1H PUMP BALL SEAT - 5.50 MM**  
**HERRAMIENTA RECTIFICAR ASIENTO BOLILLA BBA CP1H - 5.50 MM**

ROBIEL CODE	APPLICATION	SCREW	TIP	PACK
<b>324.19.012</b>	CP1H - Ø5.50mm	-	<b>324.19.012</b>	01 un.



**POLISHING TOOL TO CP1H PUMP BALL SEAT - 5.50MM**  
**HERRAMIENTA ACABAMIENTO ASIENTO BOLILLA BBA CP1H - 5.5MM**

ROBIEL CODE	APPLICATION	SCREW	TIP	PACK
<b>324.20.012</b>	CP1H - Ø5.50mm	-	<b>324.20.012</b>	01 un.



**GRINDING TOOL TO CP1H PUMP BALL SEAT - 3.50 MM**  
**HERRAMIENTA RECTIFICAR ASIENTO BOLILLA BBA CP1H - 3.50 MM**

ROBIEL CODE	APPLICATION	SCREW	TIP	PACK
<b>324.19.013</b>	CP1H - Ø3.50mm	-	<b>324.19.013</b>	01 un.



**POLISHING TOOL TO CP1H PUMP BALL SEAT - 3.50MM**  
**HERRAMIENTA ACABAMIENTO ASIENTO BOLILLA BBA CP1H - 3.5MM**

ROBIEL CODE	APPLICATION	SCREW	TIP	PACK
<b>324.20.013</b>	CP1H - Ø3.50mm	-	<b>324.20.013</b>	01 un.

**GRINDING TOOL TO DETROIT INJ UNIT VALVE SEAT** *HERRAMIENTA RECTIFICAR ASIENTO VALV UNID INY DETROIT*



ROBIEL CODE	APPLICATION	SCREW	TIP	PACK	INCLUDED IN THE KITS
<b>324.19.008</b>	DETROIT	-	<b>324.19.0081</b>	01 un.	323.50.043



**POLISHING TOOL TO DETROIT INJECTOR UNIT VALVE SEAT** *HERRAMIENTA ACABAMIENTO ASIENTO VALV UNID INY DETROIT*



ROBIEL CODE	APPLICATION	SCREW	TIP	PACK	INCLUDED IN THE KITS
<b>324.20.008</b>	DETROIT	-	<b>324.20.0081</b>	01 un.	323.50.043



**GRINDING TOOL TO DETROIT INJ UNIT VALVE HOUSING** *HERRAMIENTA RECTIFICAR ALOJAMIENTO VALV UNID INY DETROIT*



ROBIEL CODE	APPLICATION	SCREW	TIP	PACK	INCLUDED IN THE KITS
<b>324.22.001</b>	DETROIT	-	<b>324.22.0011</b>	01 un.	323.50.043



GRINDING TOOL TO VOLVO DEFLECTOR SEAT *HERRAMIENTA RECTIFICAR ASIENTO DEFLECTOR VOLVO*



ROBIEL CODE	APPLICATION	SCREW	TIP	PACK	INCLUDED IN THE KITS
324.17.342	VOLVO	-	324.17.3421	01 un.	323.50.121   323.50.13



POLISHING TOOL TO VOLVO DEFLECTOR SEAT *HERRAMIENTA ACABAMIENTO ASIENTO DEFLECTOR VOLVO*



ROBIEL CODE	APPLICATION	SCREW	TIP	PACK	INCLUDED IN THE KITS
324.18.342	VOLVO	-	324.17.3421	01 un.	323.50.121   323.50.13





**GRINDING TOOL TO CAT PUMP VALVE SEAT**  
HERRAMIENTA RECTIFICAR ASIENTO VALV BBA CAT

ROBIEL CODE	APPLICATION	SCREW	TIP	PACK
<b>324.19.005</b>	CATERPILLAR	-	<b>324.19.0051</b>	01 un.



**POLISHING TOOL TO CAT PUMP VALVE SEAT**  
HERRAMIENTA ACABAMIENTO ASIENTO VALV BBA CAT

ROBIEL CODE	APPLICATION	SCREW	TIP	PACK
<b>324.20.005</b>	CATERPILLAR	-	<b>324.20.0051</b>	01 un.



**GRINDING TOOL TO MBB 1933 PUMP SEAT**  
HERRAMIENTA RECTIFICAR ASIENTO BBA MBB 1933

ROBIEL CODE	APPLICATION	SCREW	TIP	PACK
<b>324.19.006</b>	MBB 1933	-	<b>324.19.0061</b>	01 un.



**POLISHING TOOL TO MBB 1933 PUMP SEAT**  
HERRAMIENTA ACABAMIENTO ASIENTO BBA MBB 1933

ROBIEL CODE	APPLICATION	SCREW	TIP	PACK
<b>324.20.006</b>	MBB 1933	-	<b>324.20.0061</b>	01 un.





**GRINDING TOOL TO 712C PUMP VALVE SEAT**  
 HERRAMIENTA RECTIFICAR ASIENTO VÁLVULA BBA 712C

**POLISHING TOOL TO 712C PUMP VALVE SEAT**  
 HERRAMIENTA ACABAMIENTO ASIENTO VÁLVULA BBA 712C

ROBIEL CODE	APPLICATION	SCREW	TIP	PACK
<b>324.19.009</b>	MBB 712C	-	<b>324.19.0091</b>	01 un.

ROBIEL CODE	APPLICATION	SCREW	TIP	PACK
<b>324.20.009</b>	MBB 1933	-	<b>324.20.0091</b>	01 un.



**GRINDING TOOL TO PUMP Plunger HOUSING HERRAMIENTA RECTIFICAR ALOJAMIENTO ELEMENTO BBA**

323.02.25



324.21.065



324.21.080



324.21.085



ROBIEL CODE	APPLICATION	MEASUREMENT	TIP	PACK	INCLUDED IN THE KITS
323.02.25	CP3	Ø 7.5 mm	323.02.251	01 un.	
324.21.065	CP3 RENAULT MASTER	Ø 6.5 mm	324.21.0651	01 un.	
324.21.080	CATERPILLAR	Ø 8.0 mm	324.21.0801	01 un.	
324.21.085	DENSO	Ø 8.5 mm	324.21.0851	01 un.	



**POLISHING TOOL TO PUMP Plunger HOUSING HERRAMIENTA ACABAMIENTO ALOJAMIENTO ELEMENTO BBA**

323.02.26



324.22.065



324.22.080



324.22.085



ROBIEL CODE	APPLICATION	MEASUREMENT	TIP	PACK	INCLUDED IN THE KITS
323.02.26	CP3	Ø 7.5 mm	323.02.261	01 un.	
324.22.065	CP3 RENAULT MASTER	Ø 6.5 mm	324.22.0651	01 un.	
324.22.080	CATERPILLAR	Ø 8.0 mm	324.22.0801	01 un.	
324.22.085	DENSO	Ø 8.5 mm	324.22.0851	01 un.	



**GRINDING TOOL TO CP3 PUMP BALL SEAT - M16 HERRAMIENTA RECTIFICAR ASIENTO BOLILLA DE VÁLVULA BBA CP3 M16**



ROBIEL CODE	APPLICATION	SCREW	TIP	PACK	INCLUDED IN THE KITS
324.19.015	HS3/CP3	M16x1.5	324.19.0150	01 un.	-



**POLISHING TOOL TO CP3 PUMP BALL SEAT - M16 HERRAMIENTA ACABAMIENTO ASIENTO BOLILLA DE VÁLVULA BBA CP3 M16**



ROBIEL CODE	APPLICATION	SCREW	TIP	PACK	INCLUDED IN THE KITS
324.20.015	HS3/CP3	M16x15	324.20.0150	01 un.	-





POLISHING TOOL TO CAT CR INJ VALVE SEAT HERRAMIENTA ACABAMIENTO ASIENTO VALV INY C.RAIL CAT



ROBIEL CODE	APPLICATION	SCREW	TIP	PACK	INCLUDED IN THE KITS
324.17.030	BBA CP4	M18x1.5	324.17.1151	01 pç.	



POLISHING TOOL TO CAT CR INJ VALVE SEAT HERRAMIENTA ACABAMIENTO ASIENTO VALV INY C.RAIL CAT



ROBIEL CODE	APPLICATION	SCREW	TIP	PACK	INCLUDED IN THE KITS
324.18.030	BBA CP4	M18x1.5	324.18.1151	01 pç.	



**GRINDING TOOL TO CP3S3-075 MAN SUCTION VALVE SEAT** HERRAMIENTA RECTIFICAR ASIENTO VALV ASPIRACION CP3S3-075 MAN



ROBIEL CODE	APPLICATION	SCREW	TIP	PACK	INCLUDED IN THE KITS
<b>324.17.031</b>	BBA CP3S3-05	M18x1.5	<b>324.17.129P</b>	01 un.	



**POLISHING TOOL TO CP3S3-075 MAN SUCTION VALVE SEAT** HERRAMIENTA ACABAMIENTO ASIENTO VALV ASPIRACION CP3S3-075 MAN



ROBIEL CODE	APPLICATION	SCREW	TIP	PACK	INCLUDED IN THE KITS
<b>324.18.031</b>	BBA CP3S3-05	M18x 1.5	<b>324.18.129P</b>	01 un.	



**ADAPTER FOR GRINDING TOOL TO CP3S3-075 MAN PUMP BALL SEAT** ADAPTADOR HERRAMIENTA RECTIFICAR ASIENTO BOLILLA DE VALVULA BBA CP3S3-075 MAN



ROBIEL CODE	APPLICATION	PACK
<b>324.190.158</b>	BBA CP3S3-075 MAN	01 pg.

**POLISHING TOOL TO HP5 SUCTION VALVE SEAT** *HERRAMIENTA ACABAMIENTO ASIENTO VALV ASPIRACION HP5*



ROBIEL CODE	APPLICATION	SCREW	TIP	PACK	INCLUDED IN THE KITS
<b>324.17.032</b>	BBA HP5	M18x1.5	<b>324.17.0321</b>	01 un.	



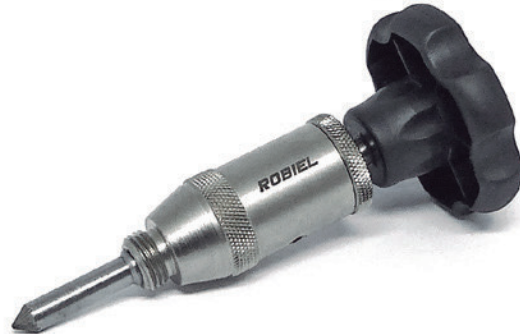
**GRINDING TOOL TO UNIT VALVE HOUSING** *HERRAMIENTA RECTIFICAR ALOJAMIENTO VALV UNID*



ROBIEL CODE	APPLICATION	SCREW	TIP	PACK	INCLUDED IN THE KITS
<b>324.18.032</b>	BBA HP5	M18x15	<b>324.18.0321</b>	01 un.	



**GRINDING TOOL TO DENSO HP3/HP4 PUMP BALL SEAT HERRAMIENTA RECTIFICAR ASIENTO BOLILLA BBA DENSO HP3/HP4**



ROBIEL CODE	APPLICATION	SCREW	TIP	PACK	INCLUDED IN THE KITS
324.19.60	DENSO HP3/HP4	M18x15	324.19.601	01 un.	323.50.24   323.50.28



**POLISHING TOOL TO DENSO HP3/HP4 PUMP BALL SEAT HERRAMIENTA ACABAMIENTO ASIENTO BOLILLA BBA DENSO HP3/HP4**



ROBIEL CODE	APPLICATION	SCREW	TIP	PACK	INCLUDED IN THE KITS
324.20.60	DENSO HP3/HP4	M18x15	324.20.601	01 un.	323.50.24   323.50.28



POLISHING TOOL TO CAT CR INJ VALVE SEAT HERRAMIENTA ACABAMIENTO ASIENTO VALV INY C.RAIL CAT



ROBIEL CODE	APPLICATION	SCREW	TIP	PACK	INCLUDED IN THE KITS
324.18.001	CATERPILLAR	-	324.18.0011	01 un.	323.50.21



POLISHING TOOL TO CAT CR INJ NOZZLE SEAT HERRAMIENTA ACABAMIENTO ASIENTO TOBERA INY C.RAIL CAT



ROBIEL CODE	APPLICATION	SCREW	TIP	PACK	INCLUDED IN THE KITS
324.18.002	CATERPILLAR	-	324.18.0011	01 un.	323.50.21   323.50.102   323.50.25



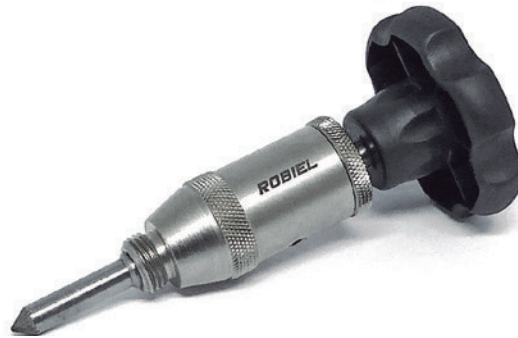
POLISHING TOOL TO CAT PRESSURE REGULATOR VALVE BUSHING HERRAMIENTA ACABAMIENTO SEDE VALV REGULACION PRESION CAT



ROBIEL CODE	APPLICATION	SCREW	TIP	PACK	INCLUDED IN THE KITS
324.18.145	CATERPILLAR	M22x1.50	324.18.1451	01 un.	323.50.21



**POLISHING TOOL TO CAT PUMP OUTLET VALVE BUSHING** *HERRAMIENTA ACABAMIENTO SEDE VALV SALIDA BBA CAT*



ROBIEL CODE	APPLICATION	SCREW	TIP	PACK	INCLUDED IN THE KITS
<b>324.20.001</b>	CATERPILLAR	M12X1.50	<b>324.20.001P</b>	01 un.	323.50.21



**GRINDING TOOL TO UNIT VALVE HOUSING** *HERRAMIENTA RECTIFICAR ALOJAMIENTO VALV UNID*



324.22.100



324.22.102



ROBIEL CODE	APPLICATION	SCREW	TIP	PACK	INCLUDED IN THE KITS
<b>324.22.100</b>	VOLVO D12	M18x15	<b>324.22.1001</b>	01 un.	
<b>324.22.102</b>	CATERPILLAR	M16x1.5	<b>324.22.1021</b>	01 un.	





**GRINDING TOOL TO CP2 GEAR PUMP VALVE SEAT**  
 HERRAMIENTA RECTIFICAR ASIENTO VALV BBA ENGR CP2

**POLISHING TOOL TO CP2 GEAR PUMP VALVE SEAT**  
 HERRAMIENTA ACABAMIENTO ASIENTO VALV BBA ENGR CP2

ROBIEL CODE	APPLICATION	SCREW	TIP	PACK	ROBIEL CODE	APPLICATION	SCREW	TIP	PACK
<b>324.19.010</b>	CP2 GEAR PUMP	-	<b>324.19.0101</b>	01 un.	<b>324.20.010</b>	CP2 GEAR PUMP	-	<b>324.20.0101</b>	01 un.
									

**POLISHING TOOL TO CP2H PUMP Plunger SEAT** HERRAMIENTA ACABAMIENTO ASIENTO ELEMENTO BBA CP2H



ROBIEL CODE	APPLICATION	SCREW	TIP	PACK	INCLUDED IN THE KITS
<b>324.18.009</b>	CP2H	-	<b>324.18.0091</b>	01 un.	-
					

USE YOUR SMARTPHONE CAMERA TO SCAN THE **QR CODE** AND ACCESS MORE **TECHNICAL INFORMATION** FROM OUR PRODUCTS IN **ROBIEL** APP.

USE LA CÁMARA DE SU TELÉFONO PARA ESCANEAR EL **CÓDIGO QR** Y OBTENER MÁS **INFORMACIONES TÉCNICAS** SOBRE LOS PRODUCTOS EN NUESTRA APLICACIÓN **ROBIEL**.

**DOWNLOAD OUR NEW APP**  
DESCARGUE NUESTRA NUEVA APLICACIÓN



# ROBIEL<sup>®</sup>

## GENERAL APPLICATION TOOLS HERRAMIENTAS DE APLICACIÓN GENERALES

High Pressure Pump  
Common Rail Injectors  
EUP | EUI | HEUI Units  
Gears Pumps



**GENERAL APPLICATION TOOLS**  
**HERRAMIENTAS DE APLICACIÓN GENERALES**



**324.51.50**

PNEUMATIC TESTING EQUIPAMENT  
 EQUIPO DE PRUEBAS NEUMÁTICAS



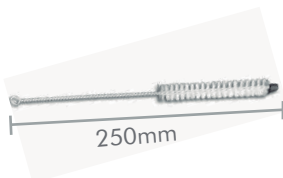
**323.01.85**

ANATOMICAL CLAMP  
 PINZA ANATOMICA  
 14.00cm



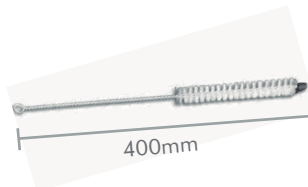
**323.01.851**

ANATOMICAL CLAMP - Bambu  
 PINZA ANATOMICA - Bambu  
 14.00cm



**323.02.12**

CLEANING BRUSH  
 CEPILLO DE LIMPIEZA  
 Ø 10.00mm



**323.02.121**

CLEANING BRUSH  
 CEPILLO DE LIMPIEZA  
 Ø 12.00mm



**323.01.97**

DIAMOND PASTE FOR GRINDING  
 PASTA DE DIAMANTE  
 P/ ACABAMIENTO  
 5g



**323.02.05**

DIAMOND PASTE FOR POLISHING  
 PASTA DE DIAMANTE  
 P/ RECTIFICAR  
 5g



**323.02.13**

CUTTING OIL  
 ACEITE CORTE  
 250ml





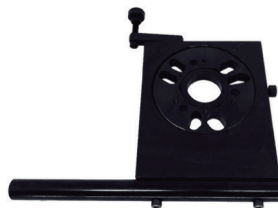
**323.01.3241**

ROTATING VISE W/ INDEXER PIN  
MORSA GIRATORIA CON PIN INDEX



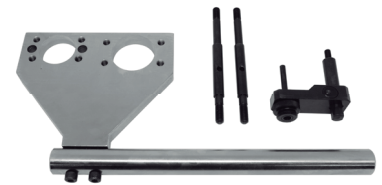
**323.01.322**

ASSEMBLY/ DISASSEMBLY  
BRACKET - BBA CP3  
SOPORTE MONTAR/DESM BBA CP3  
Ø 107.00mm



**323.01.327**

HOLDING BRACKET PUMP  
SOPORTE SUJECION BOMBA  
Ø 50.00mm | 70.00mm



**323.01.3252**

ADJUSTING BRACKET  
MBB UP UNIT  
SOPORTE DE REGULACION  
UNIDAD MBB UP



**Rotating Vise Accessories**  
Accesorios para Morsa Giratoria



**324.15.01**

INJECTORS REPAIR BRACKET  
SOPORTE PARA REPARACION  
DE INYECTORES



**Repair Bracket Accessories**  
Accesorios para Soporte para Reparacion



**324.15.05**

CLAMP FOR UNITS  
MORDAZA PARA UNIDAD



**324.15.04**

CLAMP FOR DENSO  
HILUX INJECTOR  
MORDAZA DEL INYECTOR  
DENSO HILUX

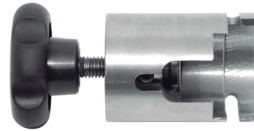


**TOOLS FOR HIGH PRESSURE PUMPS**  
**HERRAMIENTAS DE BOMBAS DE ALTA PRESIÓN**



**323.50.05**

TOOL SET - CP1H  
 PUMP FILTER  
 JUEGO HERRAMIENTA  
 FILTRO BBA CP1H



**324.13.39**

DISASSEMBLY TOOL - CP3  
 PUMP MPROP VALVE  
 HERRAMIENTA DESMONTAJE  
 VÁLVULA MPROP BBA CP3



**323.02.23**

BUSHING REPLACEMENT  
 TOOL - CP3 / SCANIA  
 GEAR PUMP  
 HERRAMIENTA SUSTITUCIÀ  
 CASQUILLO BBA ENGR CP3 / SCANIA



**323.01.571**

ASSEMBLY/ DISASSEMBLY  
 TOOL - CP3 PUMP EURO5  
 HERRAMIENTA DESMONTAJE  
 MONTAJE BBA CP3 EURO5



**323.01.57**

ASSEMBLY/ DISASSEMBLY  
 TOOL - CP3 PUMP  
 HERRAMIENTA DESMONTAJE  
 MONTAJE BBA CP3



**323.02.17**

TOOL TO APPLY CP3 HIGH  
 PRESSURE PUMP CAPSULE  
 HERRAMIENTA DE APLICAR  
 BBA ALTA PRESION CP3  
 Ø 26.00mm



**323.02.06**

TIGHTEN/ LOOSEN  
 TOOL - CP3 PUMP BOLT  
 HERRAMIENTA SOLTAR/APERTAR  
 TAPON DE LA BBA CP3



**323.02.061**

TIGHTEN/ LOOSEN  
 TOOL - DENSO PUMP BOLT  
 HERRAMIENTA SOLTAR/APERTAR  
 TAPON DE LA BBA DENSO



**324.06.50**

WRENCH FOR CP3  
 OUTLET VALVE BALL  
 LLAVE P/ TAPON DE LA  
 BOLILLA VÁLVULA DE SALIDA CP3



**324.17.129**

GRINDING TOOL TO DENSO  
 HP3/HP4 PUMP VALVE SEAT  
 HERRAMIENTA RECTIFICAR ASIENTO  
 VALV BBA DENSO HP3/HP4



**324.18.129**

POLISHING TOOL TO DENSO  
 HP3/HP4 PUMP VALVE SEAT  
 HERRAMIENTA ACABAMIENTO  
 ASIENTO VALV BBA DENSO HP3/HP4



**TOOLS FOR COMMON RAIL INJECTORS**  
**HERRAMIENTAS DE INYECTORES COMMON RAIL**



**323.50.20**

TOOL SET - DENSO  
 INJECTOR FILTER  
 JUEGO HERRAMIENTAS  
 FILTRO INY DENSO



**323.02.29**

TIGHTNESS TEST TOOL  
 CR1/CRIN CR VALVE  
 HERRAMIENTA PRUEBA  
 ESTANQUEIDAD VALV CRAIL CRI/CRIN



**323.02.291**

TIGHTNESS TEST TOOL  
 CRIN 3 CR VALVE  
 HERRAMIENTA PRUEBA  
 ESTANQUEIDAD VALV CRAIL CRIN 3



**323.01.841**

NUT WRENCH  
 IVECO/CASE/NH  
 INJECTOR NOZZLE  
 LLAVE TUERCA DE LA  
 TOBERA INY IVECO/CASE/NH  
 0 445 120 002|092|157|276



**324.13.322**

TOOL TO RELEASE  
 DENSO INJECTOR VALVE  
 HERRAMIENTA SOLTAR  
 VÁLVULA DEL INYECTOR DENSO



**324.12.20**

MEASURING TOOL  
 UNIT AND CAT INJ  
 PLATES DISTANCE  
 HERRAMIENTA MEDIR  
 DISTANCIA PLACAS UNID E INY CAT



**324.08.15**

OCTAGONAL WRENCH  
 15.00 MM  
 LLAVE OCTOGONAL 15.00 MM



**TOOLS FOR EUI | EUP | HEUI UNITS**  
**HERRAMIENTAS DE UNIDADES EUI | EUP | HEUI**



**323.01.20**

NOZZLE TESTER ADAPTER  
 MBB ELETRONICS INJECTOR  
 ADAPTADOR PRUEBA  
 TOBERA INY MBB ELECTRONICA



**323.01.792**

FIXING TOOL  
 UP UNIT STEP PLATE  
 HERRAMIENTA FIJACION DE  
 LA PLACA DE APOYO UNID UP



**323.01.671**

NUT WRENCH  
 VOLVO D12D / D13  
 NOZZLE  
 LLAVE DE LA TUERCA DE  
 TOBERA VOLVO D12D / D13



**323.01.06**

TIP FOR TORQUE WRENCH  
 MBB ELECTRONICS  
 UNIT SCREW  
 PUNTERA TORX DEL  
 TORNILLO UNID ELECTR MBB



**323.01.11**

TIP FOR TORQUE WRENCH  
 MBB UNIT SCREW  
 PUNTERA TORX DEL  
 TORNILLO UNIDAD MBB



**323.01.49**

DEVICE FOR REMOVAL  
 THE VOLVO DRIVE  
 DISPOSITIVO P/  
 EXTRACCION MANDO VOLVO



**324.06.051**

WRENCH - CAT 312  
 ARMATURE PLATE  
 LLAVE PLACA ATRAQUE CAT 3126



**324.13.271**

DEVICE TO REMOVE THE  
 DELPHI/CAT UNIT  
 PULLER SPRING  
 DISPOSITIVO PARA EXTRACCION  
 RESORTE EXTERNO UNID DELPHI/CAT



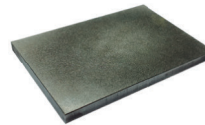
**323.01.64**

DEVICE FOR REMOVAL  
 THE IVECO DRIVE  
 DISPOSITIVO P/ RETIRAR  
 EL MANDO IVECO



**324.19.016**

Ferramenta para lapidar  
 assento da válvula  
 Cat 3126



**324.17.026**

DIAMOND PLATE FOR  
 GRINDING  
 PLACA DE DIAMANTE PARA  
 RECTIFICA



**324.28.05**

TOOL FOR SEALING TEST  
 IVECO CURSOR 8  
 HERRAMIENTA PARA PRUEBA  
 DE ESTANQUIDAD DEL IVECO  
 CURSOR 8



**324.28.06**

TOOL TO TEST MERCEDES  
 VALVE SEAL  
 HERRAMIENTA PARA PROBAR  
 VACÍO MERCEDES PLD

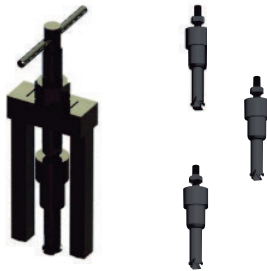


**324.28.07**

TOOL FOR SEALING TEST  
 SCANIA  
 HERRAMIENTA PARA PRUEBA DE  
 ESTANQUIDAD DEL SCANIA



**TOOLS FOR GEAR PUMPS**  
**HERRAMIENTAS DE BOMBAS DE ALIMENTACIÓN**



**323.01.531**

BEARING PULLING  
 ATTACHMENT  
 1933/1938/712C  
 GEAR PUMP  
 HERRAMIENTA DE SACAR  
 RODAMIENTO BBA  
 ALIMENTACION 1933/1938/712C



**323.01.69**

PULLING  
 ATTACHMENT  
 SCA 712C BEARING  
 HERRAMIENTA DE  
 SACAR RODAMIENTO  
 SCA 712C  
 Ø 12.00mm



**323.01.70**

PULLING  
 ATTACHMENT  
 MBB 1938  
 PUMP BEARING  
 HERRAMIENTA DE  
 SACAR RODAMIENTO  
 BBA MBB 1938  
 Ø 12.70mm



**323.01.95**

BEARING  
 PULLING  
 ATTACHMENT  
 1933/SERIE 900  
 MBB PUMP  
 HERRAMIENTA DE  
 SACAR RODAMIENTO  
 BBA MBB  
 1933/SERIE 900  
 Ø 10.00mm



**323.01.54**

TOOL TO APPLY  
 THE RETAINER COVER  
 HERRAMIENTA APLICAR  
 TAPA DEL RETEN



**323.01.65**

ASSEMBLY TOOL  
 SET - VOLVO FH12  
 BUSHING PUMP  
 JUEGO DE HERRAMIENTAS  
 P/MONTAR CASQUILLO  
 BBA VOLVO FH12

